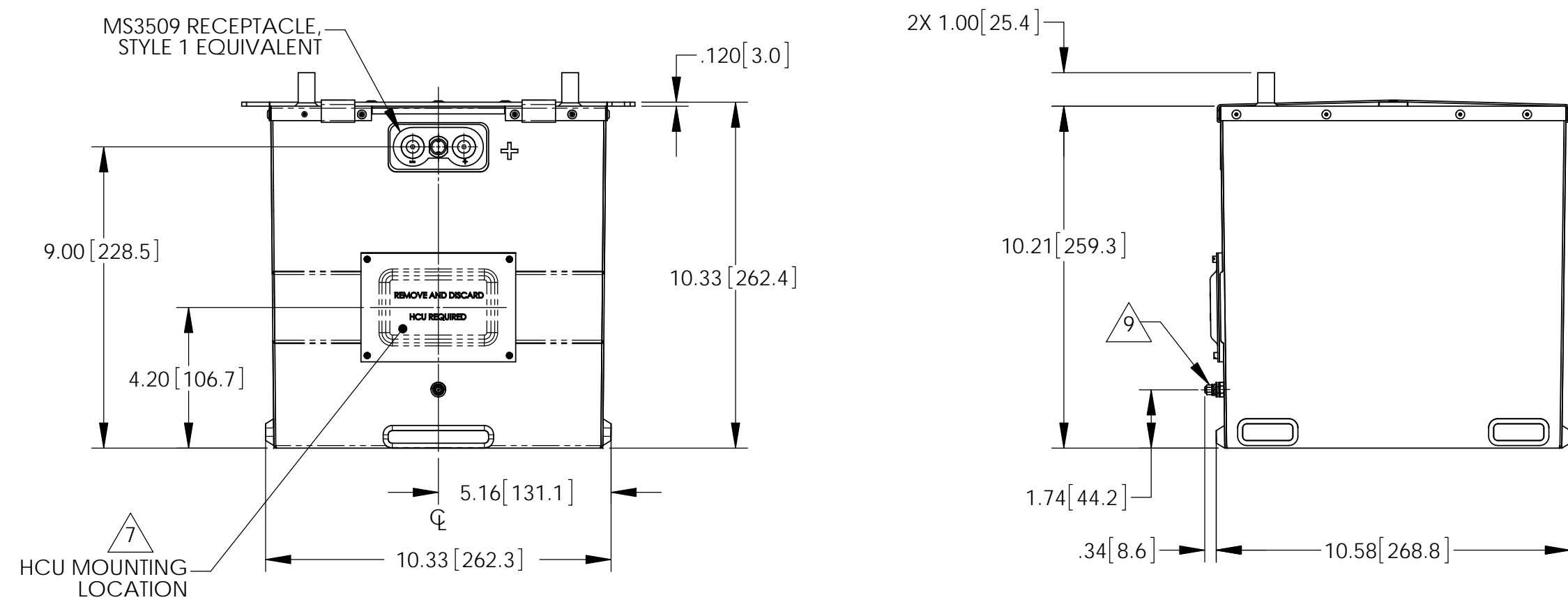
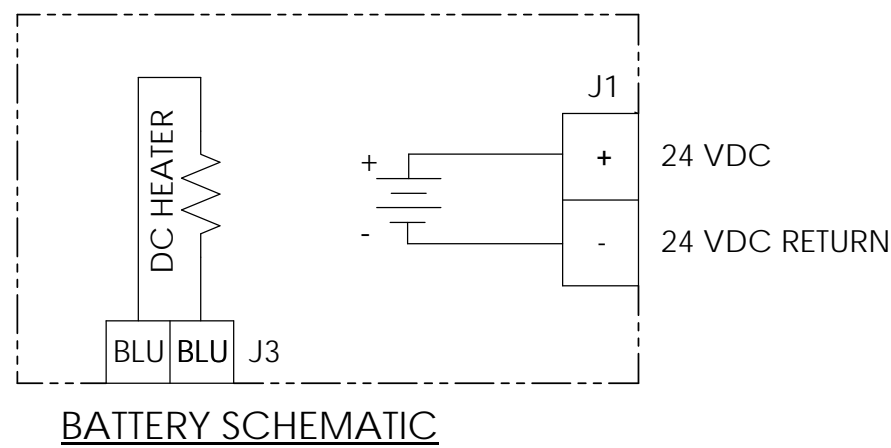
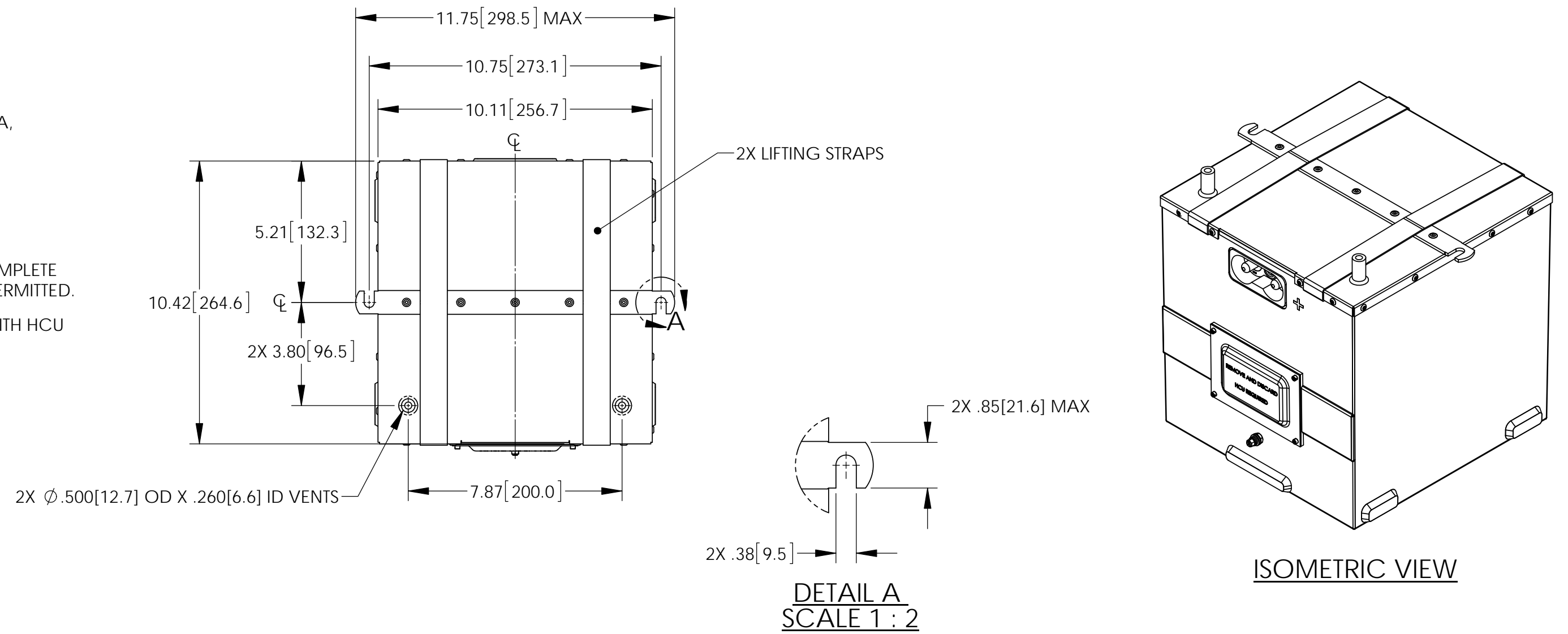


NOTES: UNLESS OTHERWISE SPECIFIED

1. MANUFACTURED AND INSPECTED IAW AS9100 QUALITY SYSTEM REQUIREMENTS.
2. ABBREVIATION USED IN TITLE IS: VALVE REGULATED SEALED LEAD ACID (VRSLA).
3. SEE DRAWING NO. CB-00453 AND PROCEDURE P-1000 FOR ASSEMBLY AND TEST INSTRUCTION. PROCEDURES AND ASSEMBLY DRAWINGS ARE FOR INTERNAL USE ONLY.
4. BATTERIES ARE RATED IAW INTERNATIONAL ELECTROTECHNICAL COMMISSION STANDARD 60952-1 AND RTCA STANDARD DO-293A, UNLESS OTHERWISE NOTED.
5. DIMENSIONS ARE INCH [MILLIMETER].
6. "GH" SUFFIX DENOTES A "FIRE RESISTANT" EXTERNAL CONTAINER CONSTRUCTED OF 5052 ALUMINUM ALLOY.
7. HCU-6 HEATER CONTROL UNIT IS REQUIRED TO CONSTITUTE A COMPLETE BATTERY ASSEMBLY. ONLY HCU'S SUPPLIED BY CONCORDE ARE PERMITTED.
8. REFER TO ENVELOPE DRAWING RG-380E/53GH-6 FOR BATTERY WITH HCU INSTALLED.
9. 10-32 GROUND STUD. HARDWARE KIT PN 6935 INCLUDED.

REVISIONS			
REV	DESCRIPTION	DATE	APPROVED



PART NUMBER	RG-380E/53GH
MAXIMUM WEIGHT	97.4 LBS [44.2 KG]
RATED CAPACITY, C ₁	53 AH
POWER RATING AT 23°C	I _{pp} 1650 A, I _{pr} 1200 A
POWER RATING AT -18°C	I _{pp} 1325 A, I _{pr} 1000 A
POWER RATING AT -30°C	I _{pp} 1125 A, I _{pr} 800 A
INTERNAL DC HEATER	10.62A @ 28.25 VDC

ENVELOPE DRAWING

UNLESS OTHERWISE SPECIFIED DIMENSIONS ARE IN INCHES TOLERANCES ARE:		CONTRACT NO.		CONCORDE BATTERY CORPORATION 2009 SAN BERNARDINO RD, W. COVINA, CA 91790	
FRACTIONS	DECIMALS	ANGLES	APPROVALS	DATE	TITLE
±1/32	.XX ± .06 XXX ± .030	±1°	DRAWN	A. MISTRETTA	6/9/16
TREATMENT	NONE	CHECKED	NS	6/10/16	BATTERY, VRSLA, 24 VOLT, RG-380E/53GH
FINISH	NONE	APPROVED	PH	6/10/16	
SIMILAR TO	CALC W/T	ISSUED	JG	6/15/16	SIZE C
				SCALE 1:4	CAGE CODE 63017
				DWG NO. RG-380E/53GH	
				REV	
				SHEET 1 OF 1	