

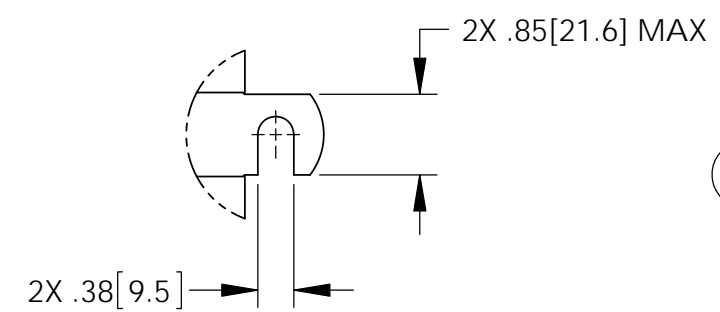
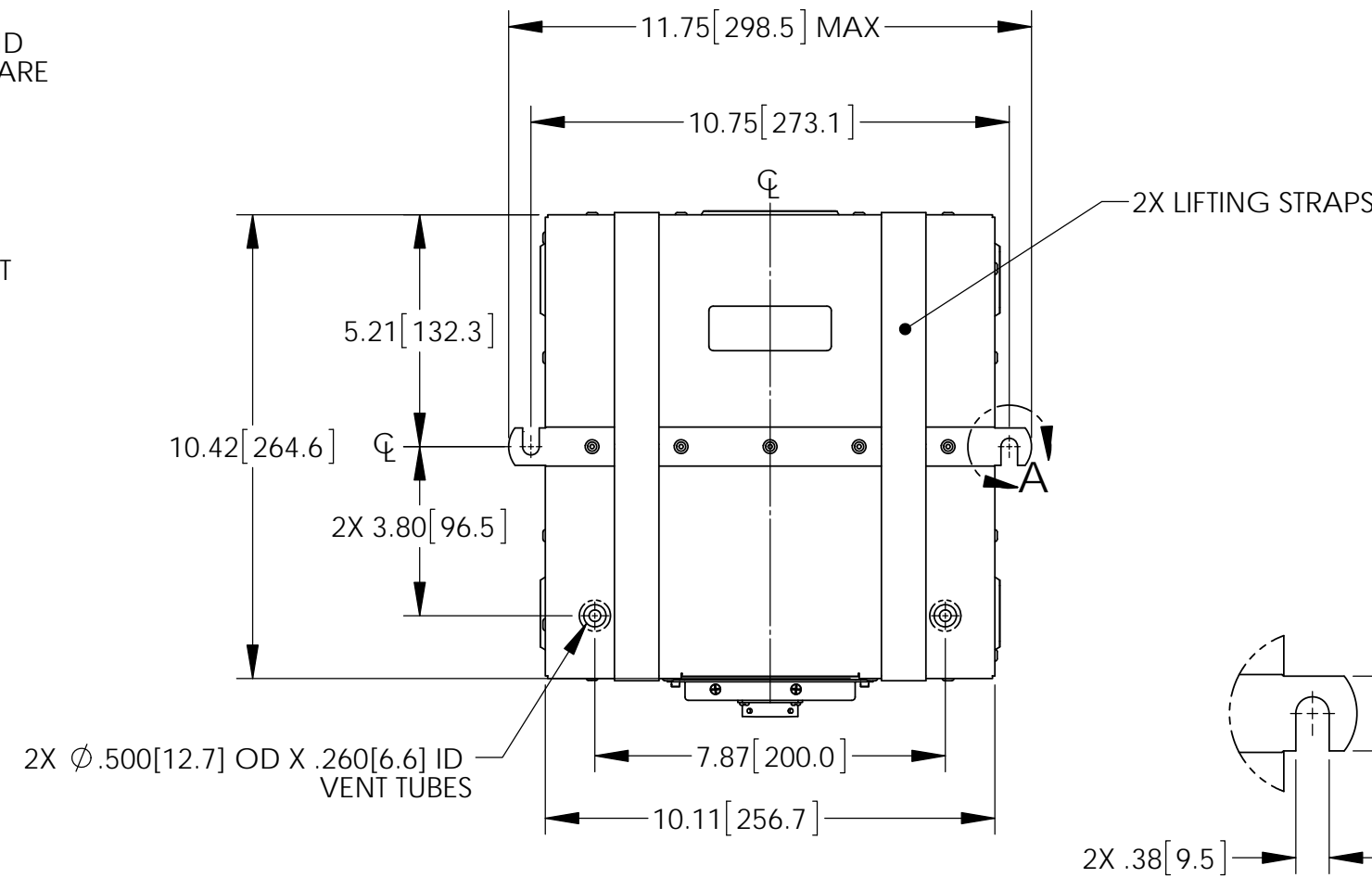
NOTES: UNLESS OTHERWISE SPECIFIED

- ASSEMBLY CONSISTS OF TWO SEPARATE LRU'S, THE BATTERY AND THE HCU. LRU'S ARE SOLD AND SHIPPED SEPARATELY.
- HEATER CONTROL UNIT MAY BE FIELD INSTALLED BY A CERTIFIED AIRCRAFT MAINTENANCE TECHNICIAN IN ACCORDANCE WITH CONCORDE DRAWING 5-0313.
- WHEN HEATER CONTROL UNIT IS FACTORY INSTALLED, THE BATTERY AND HEATER CONTROL UNIT RETAIN THEIR INDIVIDUAL PART NUMBERS AND ARE SOLD AND WARRANTED SEPARATELY.
- DIMENSIONS ARE INCH [MILLIMETERS].

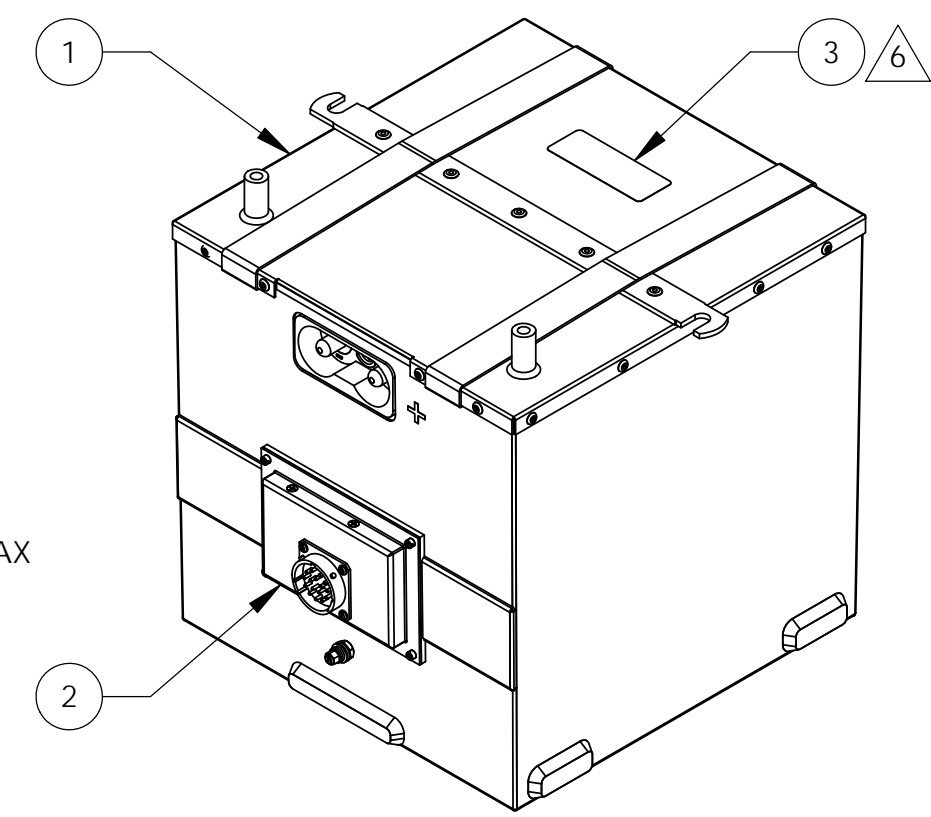
5 10-32 GROUND STUD. HARDWARE KIT PN 6935 INCLUDED.

6 LABEL TO BE INSTALLED APPROXIMATELY AS SHOWN. LOCATION IS NOT DIMENSIONALLY CRITICAL.

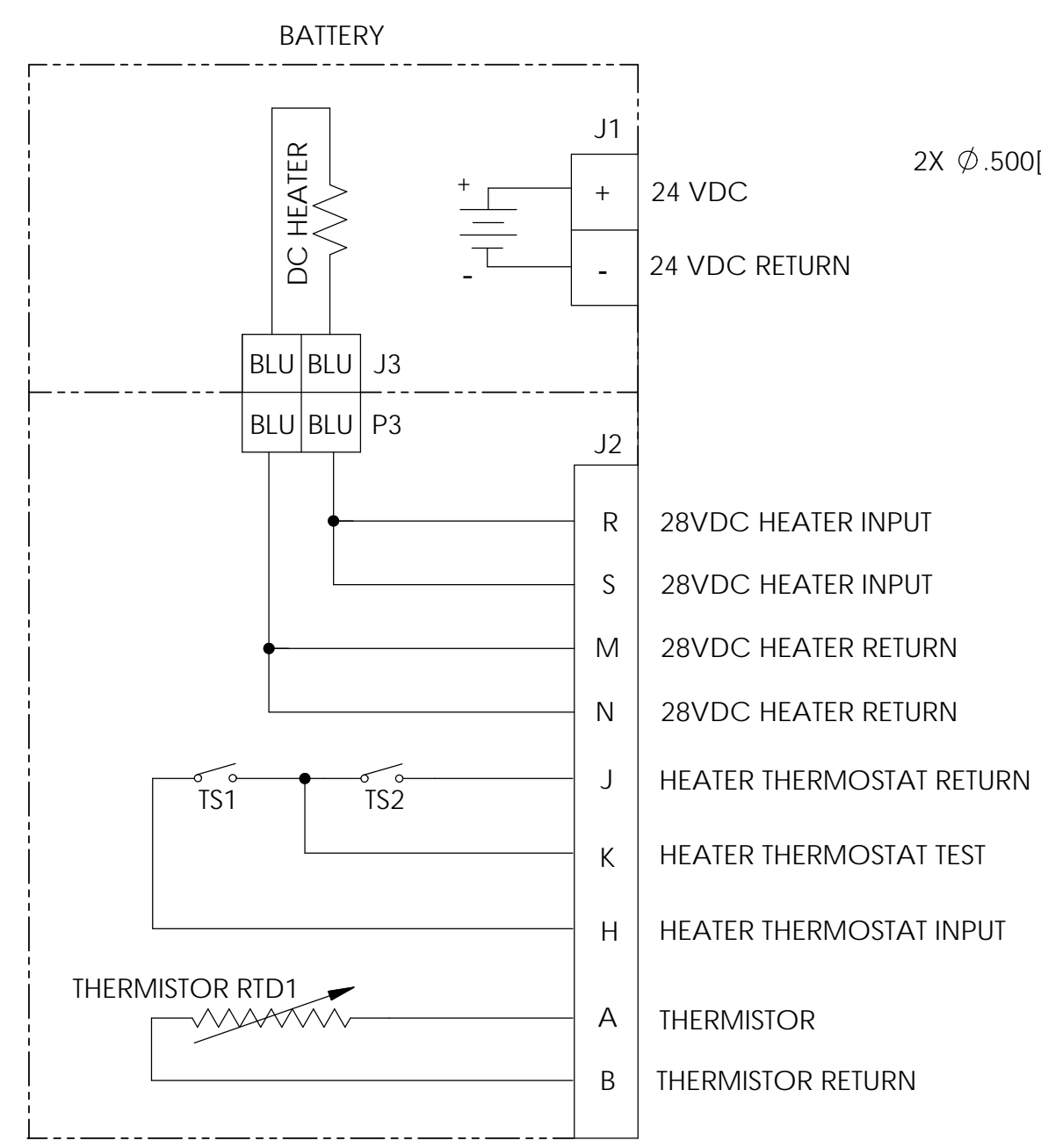
REVISIONS			
REV	DESCRIPTION	DATE	APPROVED



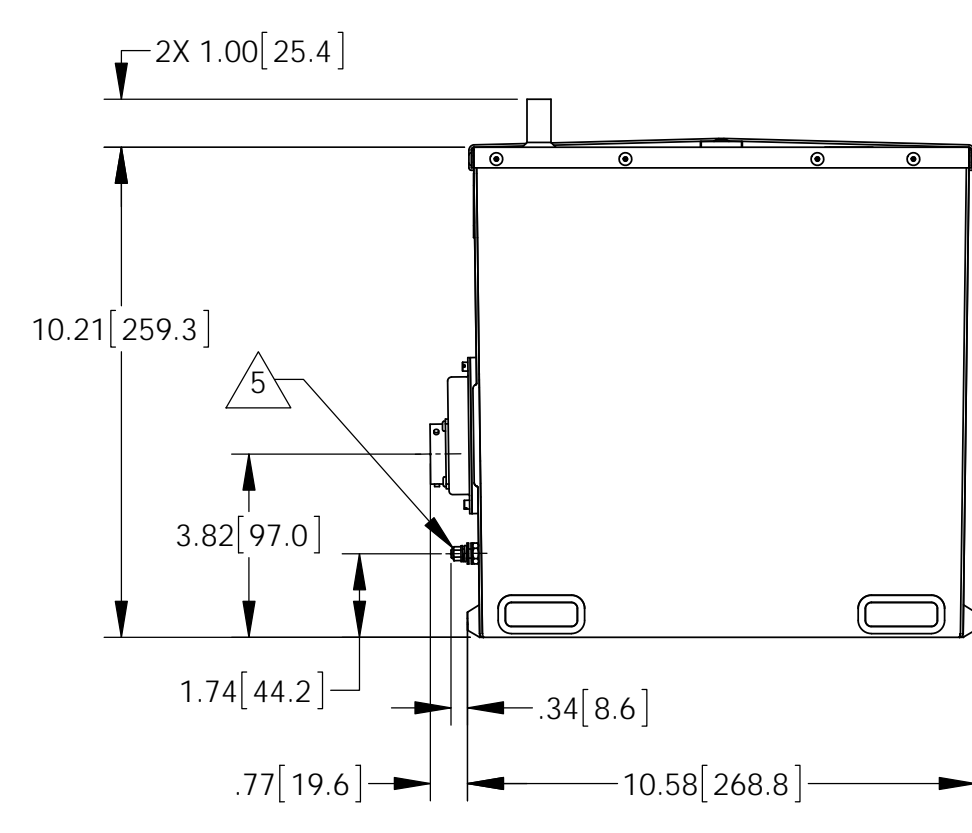
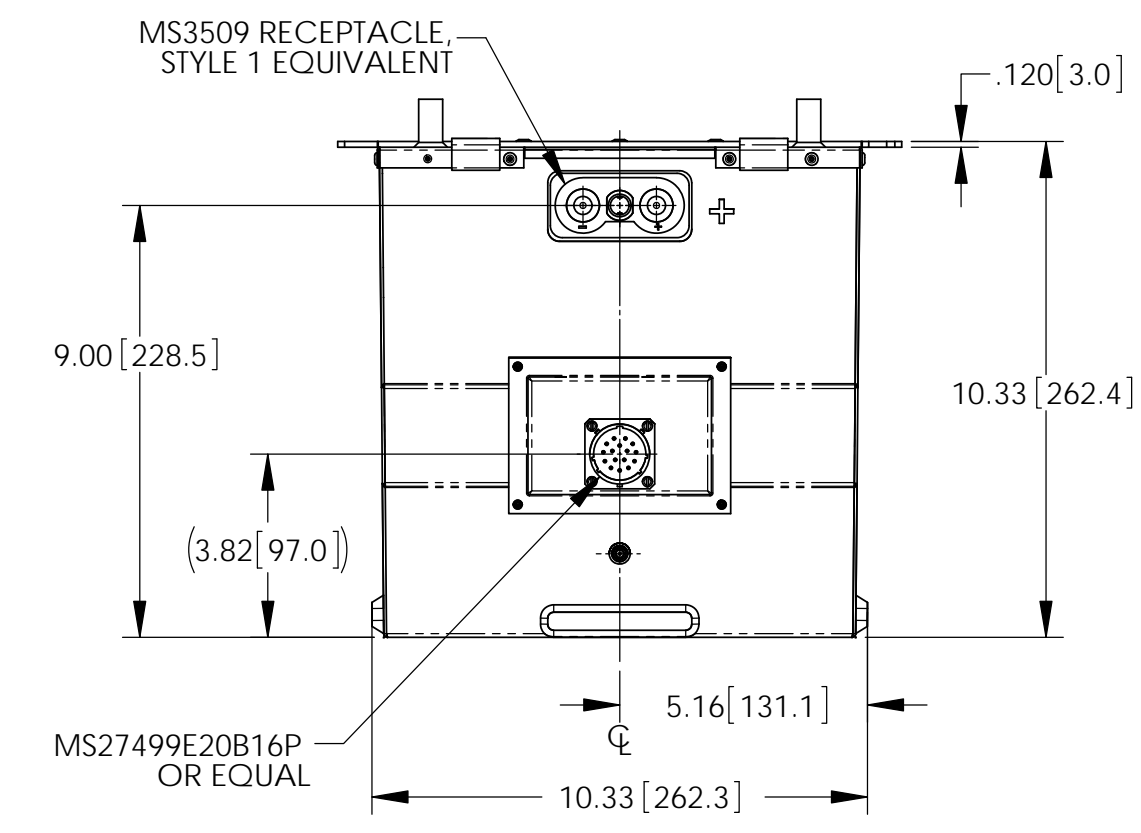
DETAIL A
SCALE 1 : 2



ISOMETRIC VIEW



ELECTRICAL SCHEMATIC



ENVELOPE DRAWING

PART NUMBER	RG-380E/44GH-6
MAXIMUM WEIGHT	90 LBS [40.8 KG]
RATED CAPACITY, C ₁	42 AH
POWER RATING AT 23°C	I _{pp} 1350 A, I _{pr} 1000 A
POWER RATING AT -18°C	I _{pp} 875 A, I _{pr} 750 A
POWER RATING AT -30°C	I _{pp} 750 A, I _{pr} 600 A
INTERNAL DC HEATER	10.62A @ 28.25 VDC

1	6743-78	LABEL, TSO, HEATED BATTERY ASSEMBLY	3		
1	HCU-6	HEATER CONTROL UNIT, HCU-6	2		
1	RG-380E/44GH	BATTERY, VRSLA, 24 VOLT, RG-380E/44GH	1		
QTY REQD	CAGE CODE	PART OR IDENTIFYING NO.	NOMENCLATURE OR DESCRIPTION	MATERIAL SPECIFICATION	ITEM NO.

UNLESS OTHERWISE SPECIFIED DIMENSIONS ARE IN INCHES TOLERANCES ARE:		CONTRACT NO.		PARTS LIST		CONCORDE BATTERY CORPORATION 2009 SAN BERNARDINO RD, W. COVINA, CA 91790	
FRACTIONS	DECIMALS	ANGLES	APPROVALS	DATE	TITLE		
±1/32	.XX ± .06 XXX ± .030	±1°	DRAWN A. MISTRETTA	6/10/16	RG-380E/44GH BATTERY WITH HCU-6 INSTALLED		
TREATMENT	NONE	CHECKED	NS	6/13/16	SIZE	CAGE CODE	DWG NO.
FINISH	NONE	APPROVED	PH	6/14/16	C	63017	RG-380E/44GH-6
SIMILAR TO	CALC W/T	ISSUED	JG	6/15/16	SCALE	1:4	SHEET 1 OF 1