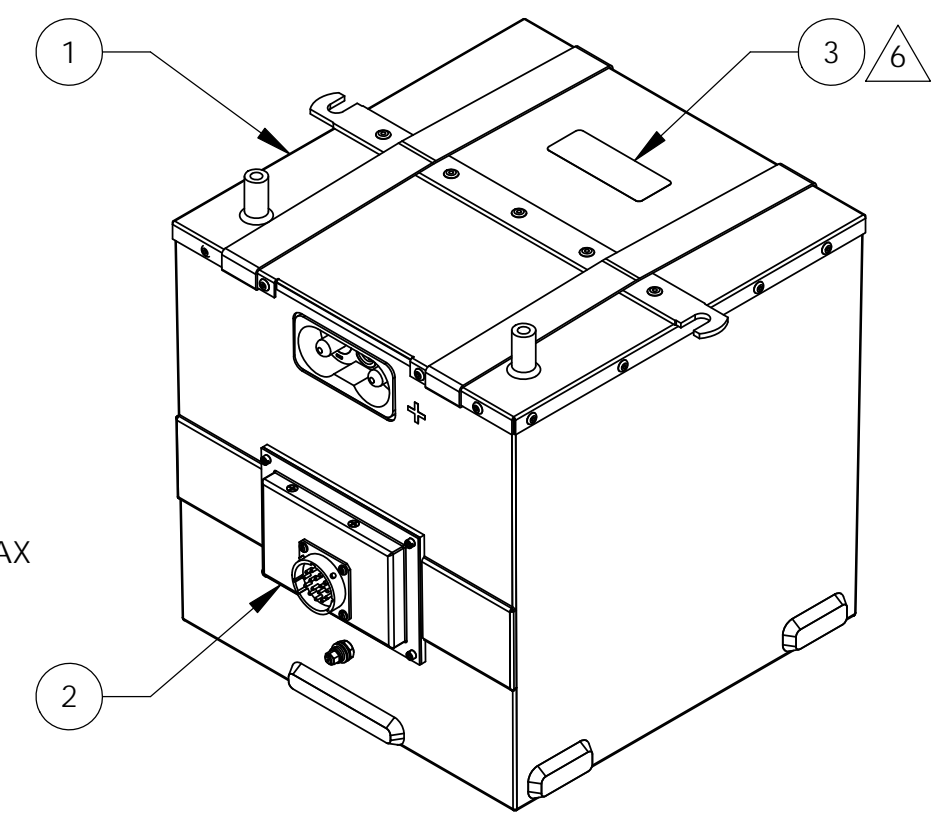
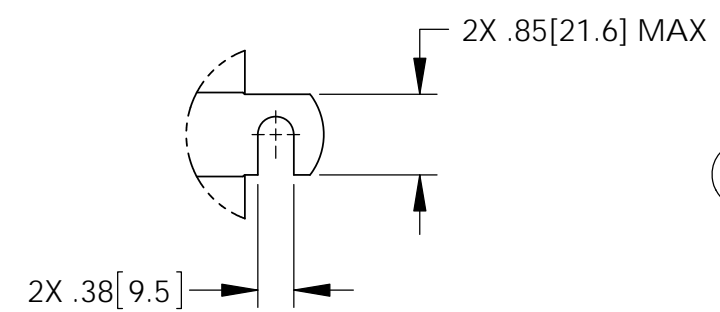
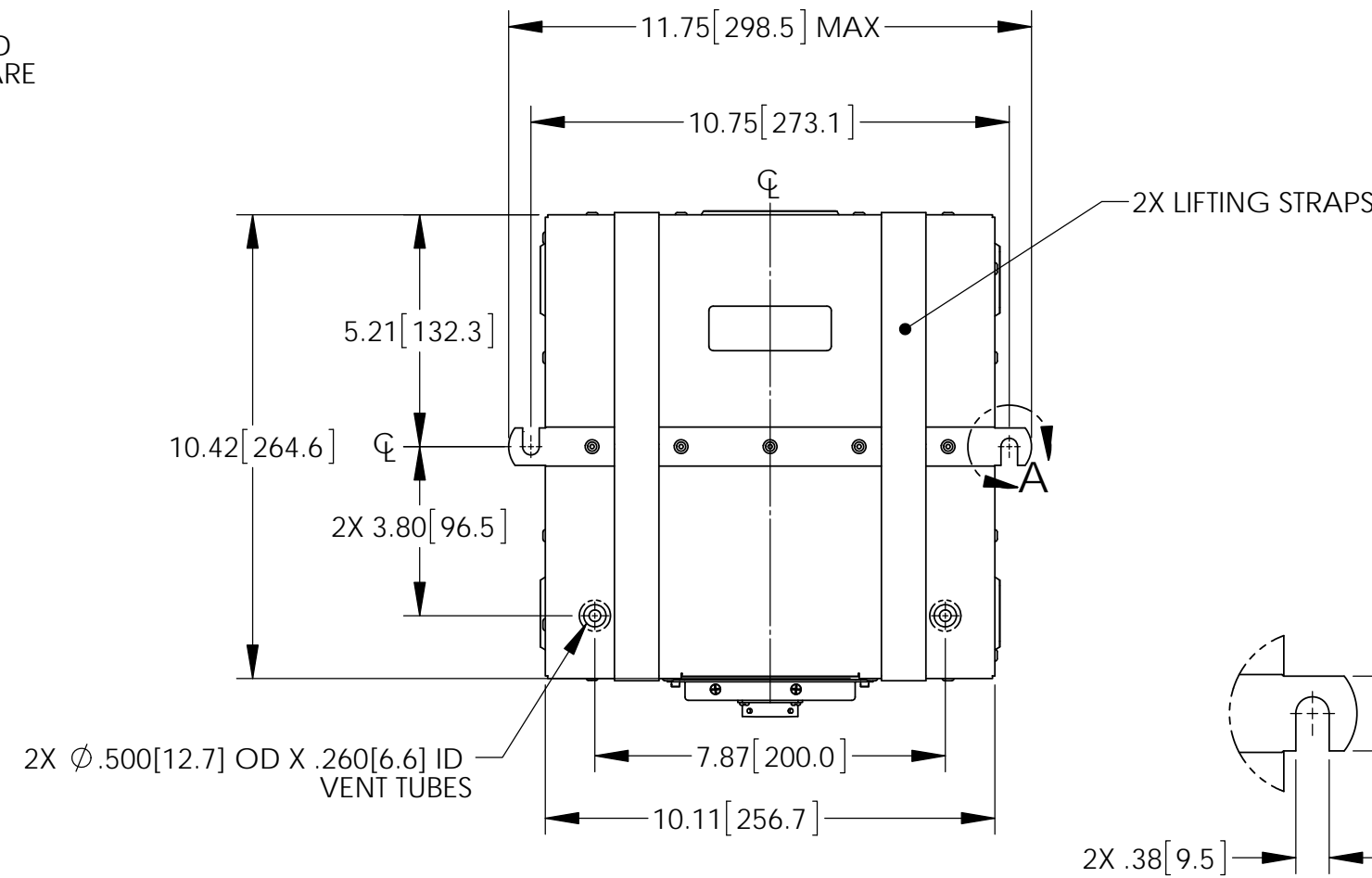


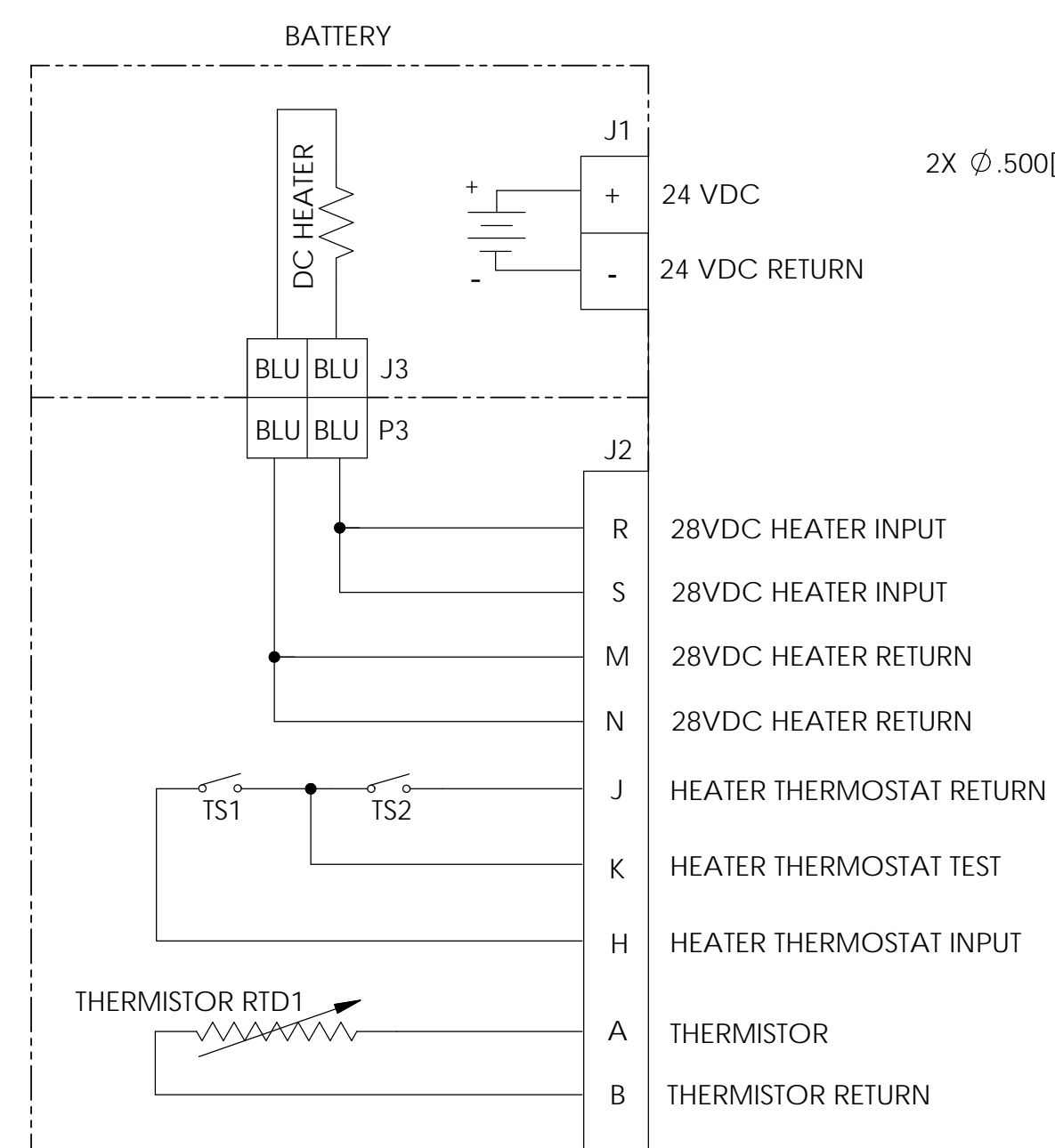
NOTES: UNLESS OTHERWISE SPECIFIED

1. ASSEMBLY CONSISTS OF TWO SEPARATE LRU'S, THE BATTERY AND THE HCU. LRU'S ARE SOLD AND SHIPPED SEPARATELY.
2. HEATER CONTROL UNIT MAY BE FIELD INSTALLED BY A CERTIFIED AIRCRAFT MAINTENANCE TECHNICIAN IN ACCORDANCE WITH CONCORDE DRAWING 5-0313.
3. WHEN HEATER CONTROL UNIT IS FACTORY INSTALLED, THE BATTERY AND HEATER CONTROL UNIT RETAIN THEIR INDIVIDUAL PART NUMBERS AND ARE SOLD AND WARRANTED SEPARATELY.
4. DIMENSIONS ARE INCH [MILLIMETERS].
5. 10-32 GROUND STUD. HARDWARE KIT PN 6935 INCLUDED.
6. LABEL TO BE INSTALLED APPROXIMATELY AS SHOWN. LOCATION IS NOT DIMENSIONALLY CRITICAL.

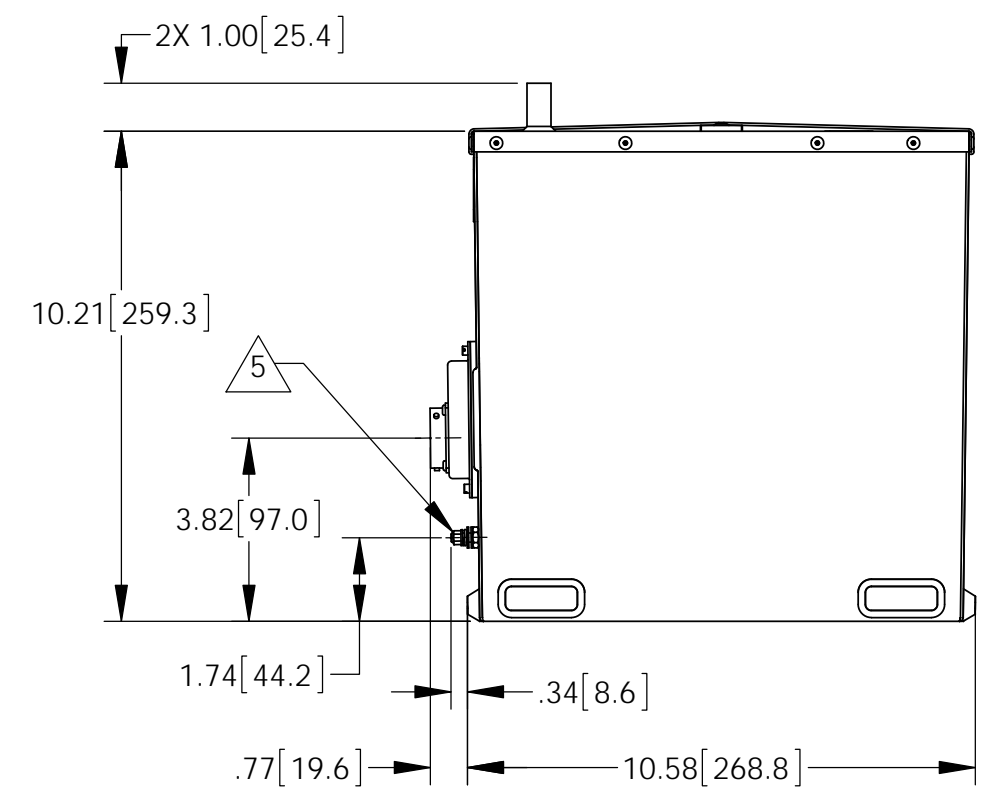
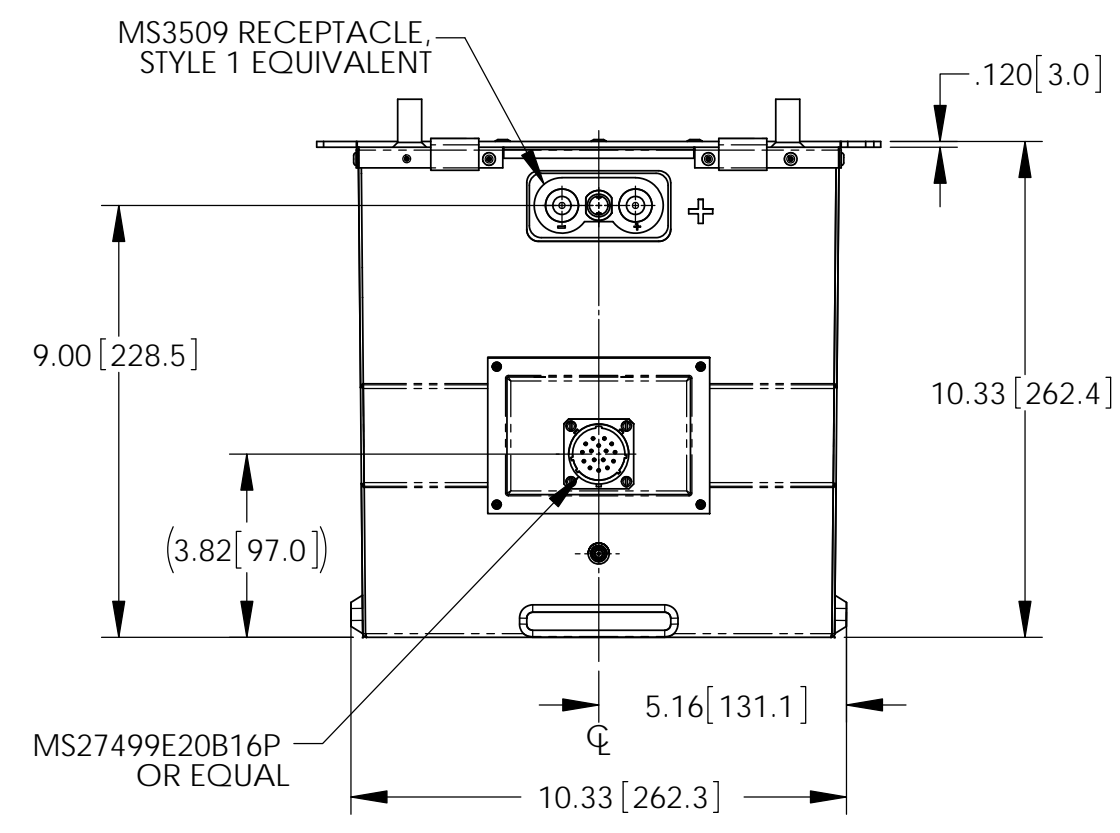
REVISIONS			
REV	DESCRIPTION	DATE	APPROVED



ISOMETRIC VIEW



ELECTRICAL SCHEMATIC



ENVELOPE DRAWING

PART NUMBER	RG-380E/40GH-6
MAXIMUM WEIGHT	85 LBS [38.6 KG]
RATED CAPACITY, C ₁	38 AH
POWER RATING AT 23°C	I _{pp} 1350 A, I _{pr} 1050 A
POWER RATING AT -18°C	I _{pp} 900 A, I _{pr} 750 A
POWER RATING AT -30°C	I _{pp} 650 A, I _{pr} 550 A
INTERNAL DC HEATER	10.62A @ 28.25 VDC

1	6743-77	LABEL, TSO, HEATED, BATTERY ASSEMBLY	3		
1	HCU-6	HEATER CONTROL UNIT, HCU-6	2		
1	RG-380E/40GH	BATTERY, VRSLA, 24 VOLT, RG-380E/40GH	1		
QTY REQD	CAGE CODE	PART OR IDENTIFYING NO.	NOMENCLATURE OR DESCRIPTION	MATERIAL SPECIFICATION	ITEM NO.

UNLESS OTHERWISE SPECIFIED DIMENSIONS ARE IN INCHES TOLERANCES ARE:		CONTRACT NO.		CONCORDE BATTERY CORPORATION 2009 SAN BERNARDINO RD, W. COVINA, CA 91790	
FRACTIONS	DECIMALS	ANGLES	APPROVALS	DATE	TITLE
±1/32	.XX ± .06 XXX ± .030	±1°	DRAWN A. MISTRETTA	6/10/16	RG-380E/40GH BATTERY WITH HCU-6 INSTALLED
TREATMENT	NONE	CHECKED NS	6/13/16	SIZE C	CAGE CODE 63017
FINISH	NONE	APPROVED PH	6/14/16	DWG NO.	RG-380E/40GH-6
SIMILAR TO	CALC W/T	ISSUED JG	6/15/16	SCALE	1:4
				SHEET 1 OF 1	