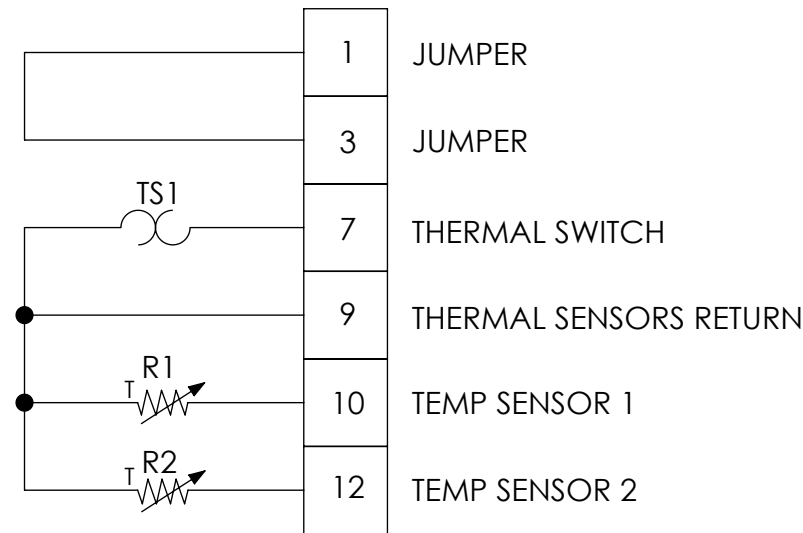


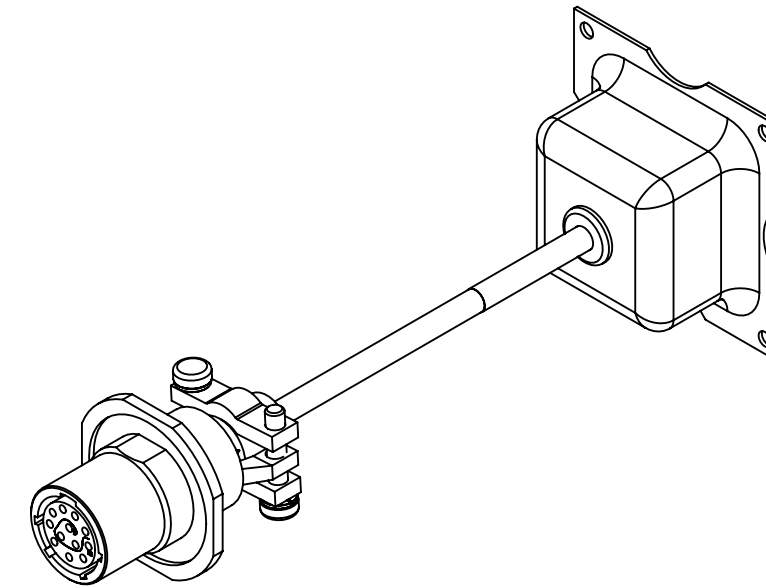
NOTES: UNLESS OTHERWISE SPECIFIED

1. MANUFACTURED AND INSPECTED IAW AS9100 QUALITY SYSTEM REQUIREMENTS
2. REFER TO DRAWING NUMBER 9879 FOR SENSOR ASSEMBLY INSTRUCTION. ASSEMBLY DRAWINGS ARE FOR INTERNAL USE ONLY.
3. REFER TO KIT DRAWING 5-0616 FOR MOUNTING HARDWARE AND INSTALLATION INSTRUCTIONS.

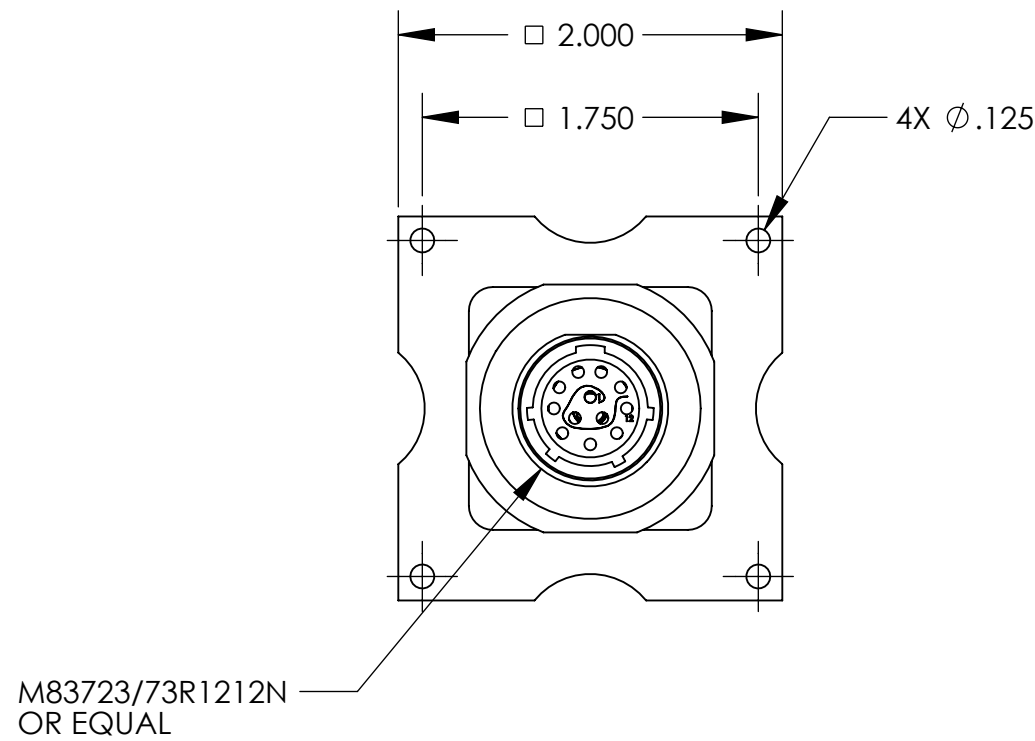
REVISIONS			
REV	DESCRIPTION	DATE	APPROVED



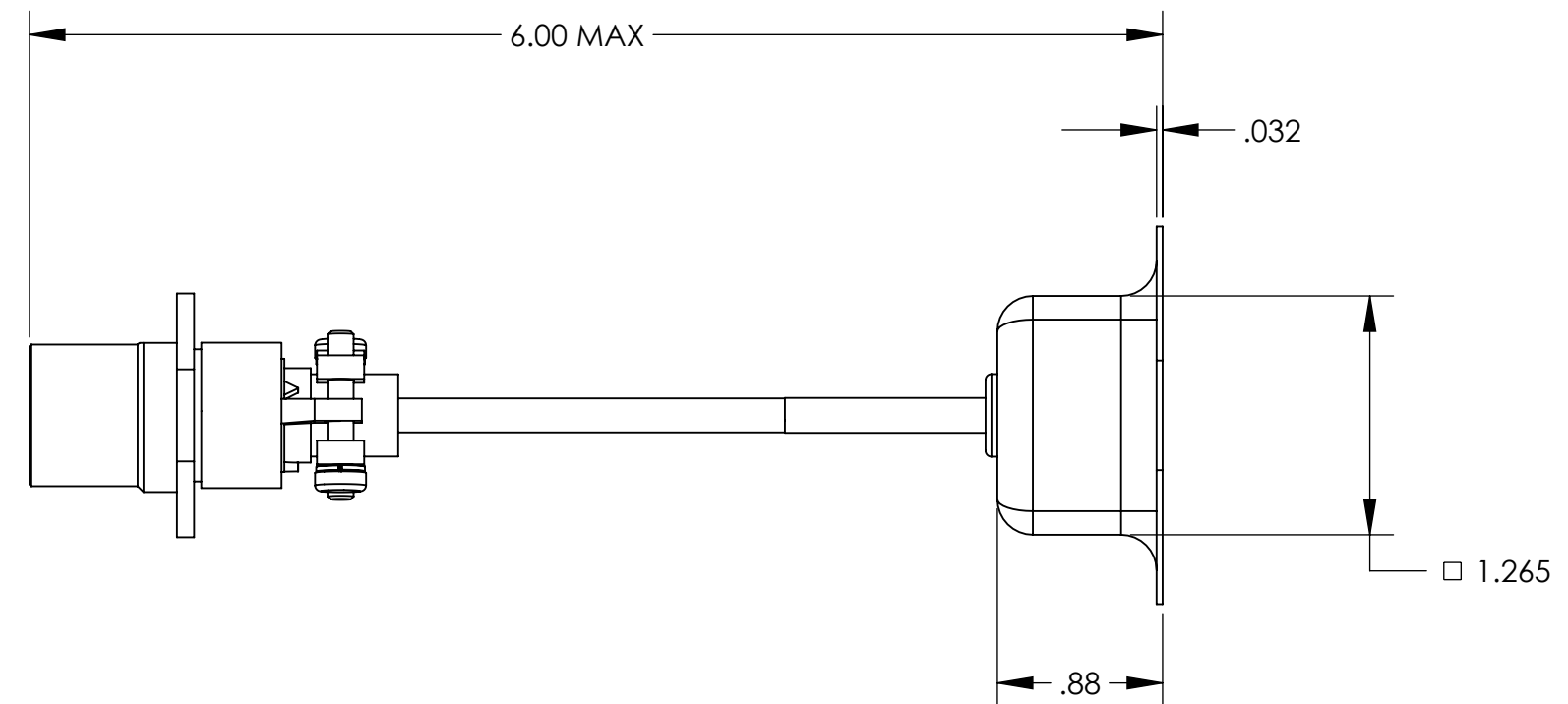
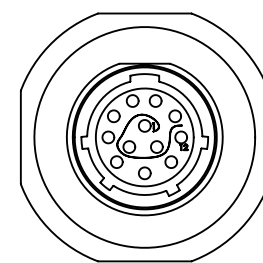
SCHEMATIC DIAGRAM



PART NUMBER: TS-C15



RECEPTACLE ORIENTATION
(M83723/73R1212N OR EQUAL)



ENVELOPE DRAWING

UNLESS OTHERWISE SPECIFIED DIMENSIONS ARE IN INCHES TOLERANCES ARE:			CONTRACT NO.		CONCORDE BATTERY CORPORATION 2009 SAN BERNARDINO RD, W. COVINA, CA 91790		
FRACTIONS	DECIMALS	ANGLES	APPROVALS	DATE	TITLE		
±1/32	.XX ± .06 .XXX ± .015	± 1°	DRAWN J. DENDIU	8/31/17	TS-C15 TEMPERATURE SENSOR ASSEMBLY		
TREATMENT	NONE		CHECKED AMIII	11/2/17	SIZE	CAGE CODE	DWG NO.
FINISH	NONE		APPROVED PH	11/2/17	C	63017	TS-C15
SIMILAR TO	CALC WT		ISSUED JG	11/3/17	SCALE	1:1	SHEET 1 OF 1