

# Boeing 737-600, -700, -800, -900 Certified Sealed Lead Acid Battery Installation



## FAA STC ST03932AT

### Main Battery Upgrade –

Saft 539CH1 (24V/53Ah) is replaced with RG-380E/60B (24V/48Ah).

- Lower cost of acquisition
- Reduced cost per flight hour
- No memory effect or cycling requirement
- Hazmat Exempt
- Fully recyclable – the green solution

STC provides for the installation of a Concorde RG-380E/60B battery in place of the original nickel-cadmium batteries in Boeing 737-600, -700, -800, -900 Series Aircraft.

The battery charger must have temperature indication from the battery in order to function. The temperature sensing system, which connects the temperature sensor in the nickel cadmium battery to the Battery Charger is disabled and replaced by a fixed resistor. A dummy plug is installed which will indicate to the Battery Charger a battery temperature of approximate 20°C regardless of actual battery temperature. The temperature sensor cable is disconnected from the battery and stowed. Battery temperature warnings are not required for a lead-acid battery. The Battery Charger is permanently placed in TRU mode.

1. Install a dummy plug (P/N 9507) on each aircraft side temperature sensor connector, D2936 and D10330. Stow the temperature sensor connector cable from each battery being replaced.

### CONCORDE BATTERY CORPORATION

2009 San Bernardino Road | West Covina, CA 91790 USA  
626-813-1234 | Fax 626-813-1235 | [www.ConcordeBattery.com](http://www.ConcordeBattery.com)  
ISO 9001 + AS9100 | Crafted for Quality in the U.S.A.



RG-380E/60B (48 Ah)

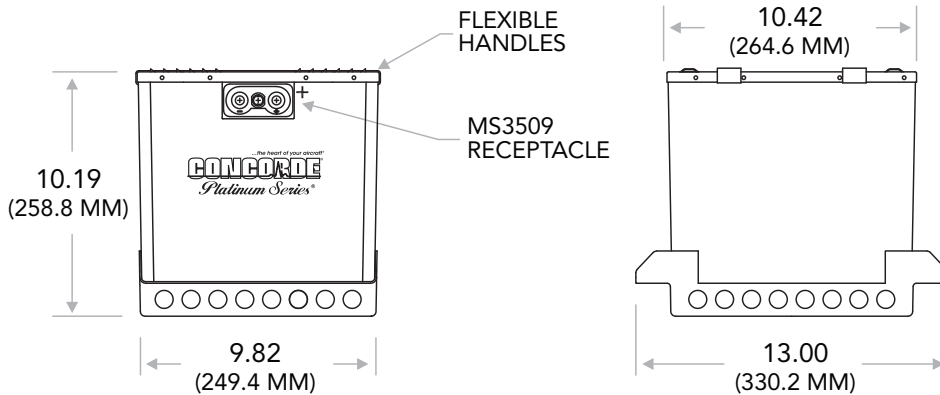
2. Disconnect the cable connection to the Battery Charger / TRU from each battery.
3. Place the Battery Charger / TRU in TRU mode.
4. Install Concorde RG-380E/60B battery in the aircraft in accordance with the Boeing 737-600, -700, -800, -900 Aircraft Maintenance Manual instruction for installing the Ni-Cd in each position.
5. Replace battery hold down bolts, Part Number BACB30NM3K4 (quantity 12), with battery hold down bolts Concorde Part Number 7053 (quantity 12).

STC kit includes dummy plug 9507 (quantity 2) all other materials may be procured separately through normal commercial channels.

...the heart of your aircraft®  
**CONCORDE**

**FAA STC ST03932AT**  
**Boeing 737-600, -700, -800, -900 Series**

**Main Battery Upgrade –**  
 RG-380E/60B, 48Ah



Part Number	Rated Capacity C1 in Ah	IPP 23°C / 74°F	IPR 1200	IPP -18°C / 0°F	IPR 950	IPP -30°C / -22°F	IPR 700	Maximum Weight
RG-380E/60B	48 Ah	1600	1200	1200	950	900	700	96.0 LB / 43.6 KG

**CONCORDE BATTERY CORPORATION**  
 2009 San Bernardino Road | West Covina, CA 91790 USA  
 626-813-1234 | Fax 626-813-1235 | [www.ConcordeBattery.com](http://www.ConcordeBattery.com)  
 ISO 9001 + AS9100 | Crafted for Quality in the U.S.A.

