

Boeing 737-300, -400, -500 Certified Sealed Lead Acid Battery Installation



FAA STC ST04373AT

Main Battery Upgrade –

Saft 40176-7 (24V/36Ah) or
Marathon 30874-001 (24V/38Ah) is
replaced with RG-380E/40D (24V/38Ah).

- Lower cost of acquisition
- Reduced cost per flight hour
- No memory effect or cycling requirement
- Hazmat Exempt
- Fully recyclable – the green solution

STC provides for the installation of a Concorde RG-380E/40D battery in place of the original equipment nickel cadmium battery in Boeing 737-300, -400, -500 Series Aircraft.

The battery charger does not need temperature indication in order to function. The temperature sensing system, which connects the temperature sensor in the nickel cadmium battery to the BATT OVERHEAT RLY (R325), is disabled and the cable is disconnected and stowed. Battery temperature warnings are not required for a lead-acid battery.

1. Disconnect the battery temperature sensor connector, D2936. Cap & Stow the temperature sensor connector cable from the battery being replaced.



RG-380E/40D (38 Ah)

2. Disconnect the cable connection to the Battery Charger / TRU.
3. Place the Battery Charger / TRU in TR mode.
4. Install Concorde RG-380E/40D battery in the aircraft in accordance with Boeing 737-300, -400, -500 Aircraft Maintenance Manual instructions for installing the Ni-Cd battery.
5. Replace battery hold down bolts, Part Number NAS6603-3 (quantity 6), with battery hold down bolts Part Number NAS6603-4 (quantity 6).

No materials or kit parts are included as part of this STC. Six (6) each P/N NAS6603-4 bolts will be required to complete this installation. They may be procured separately through normal commercial channels.

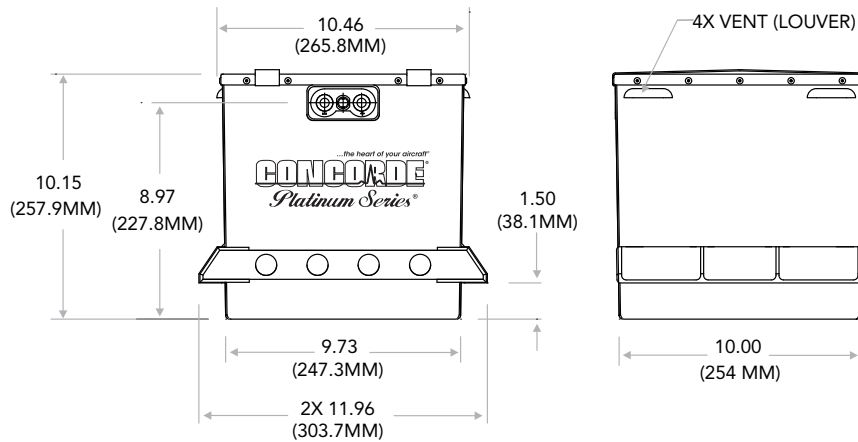
CONCORDE BATTERY CORPORATION

2009 San Bernardino Road | West Covina, CA 91790 USA
626-813-1234 | Fax 626-813-1235 | www.ConcordeBattery.com
ISO 9001 + AS9100 | Crafted for Quality in the U.S.A.



FAA STC ST04373AT
Boeing 737-300, -400, -500 Series

Main Battery Upgrade –
 RG-380E/40D, 38Ah



| Part Number | Rated Capacity C1 in Ah | IPP | IPR | IPP | IPR | IPP | IPR | Maximum Weight |
|-------------|-------------------------|-------------|------|-------------|-----|---------------|-----|-------------------|
| | | 23°C / 74°F | 1050 | -18°C / 0°F | 750 | -30°C / -22°F | 550 | |
| RG-380E/40D | 38 Ah | 1350 | 1050 | 900 | 750 | 650 | 550 | 85.3 LB / 38.7 KG |

CONCORDE BATTERY CORPORATION

2009 San Bernardino Road | West Covina, CA 91790 USA
 626-813-1234 | Fax 626-813-1235 | www.ConcordeBattery.com
 ISO 9001 + AS9100 | Crafted for Quality in the U.S.A.

