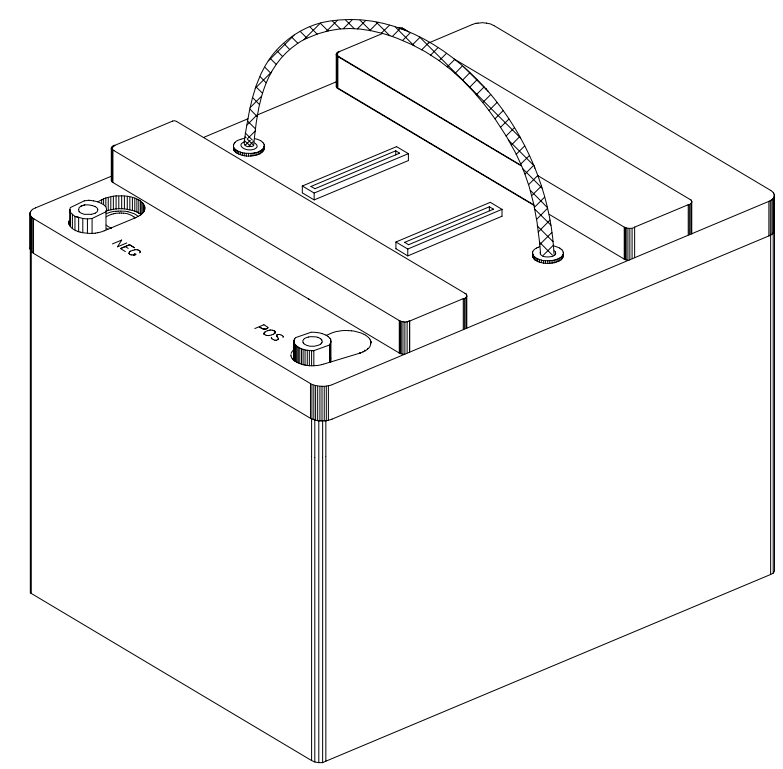
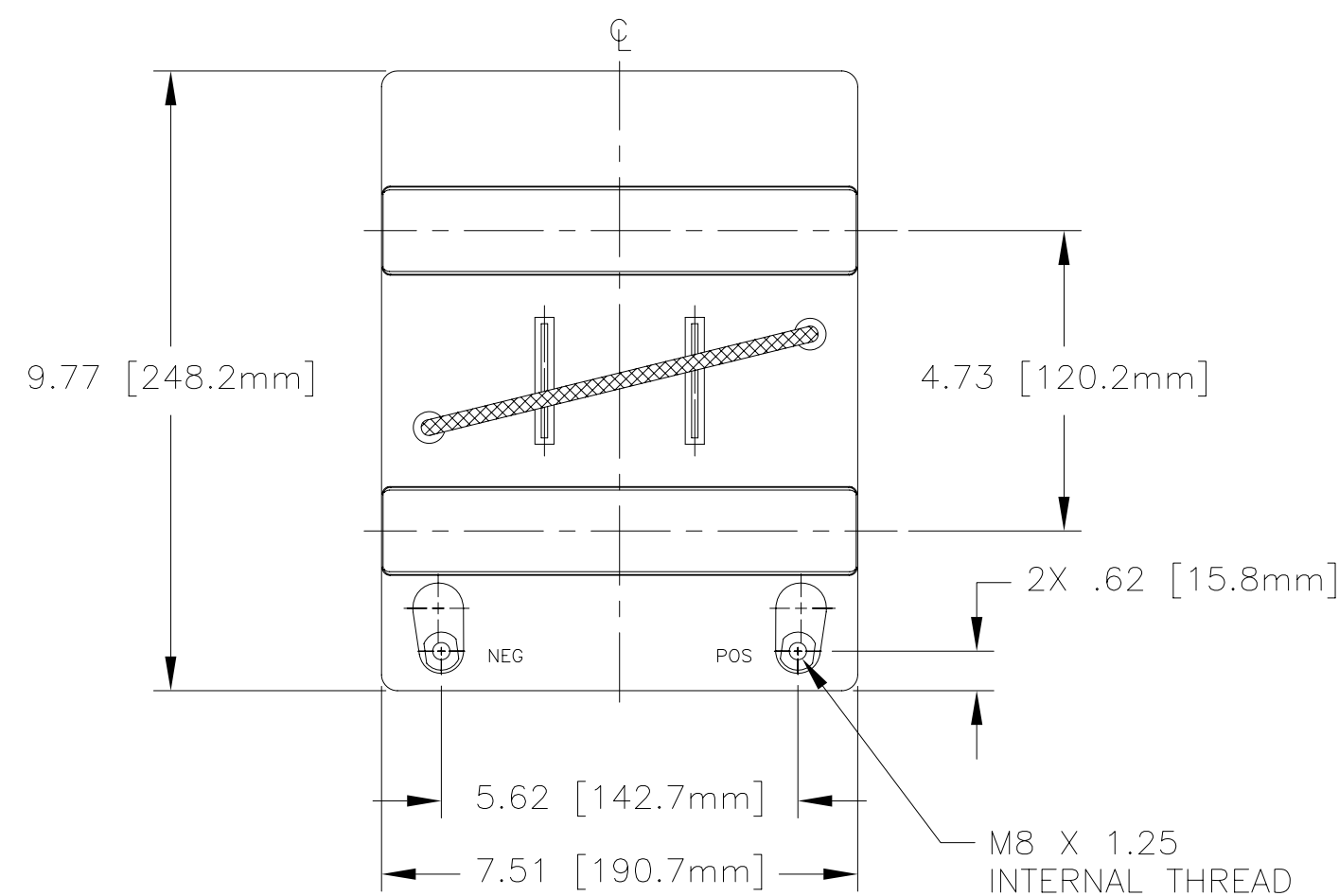


NOTES: UNLESS OTHERWISE SPECIFIED

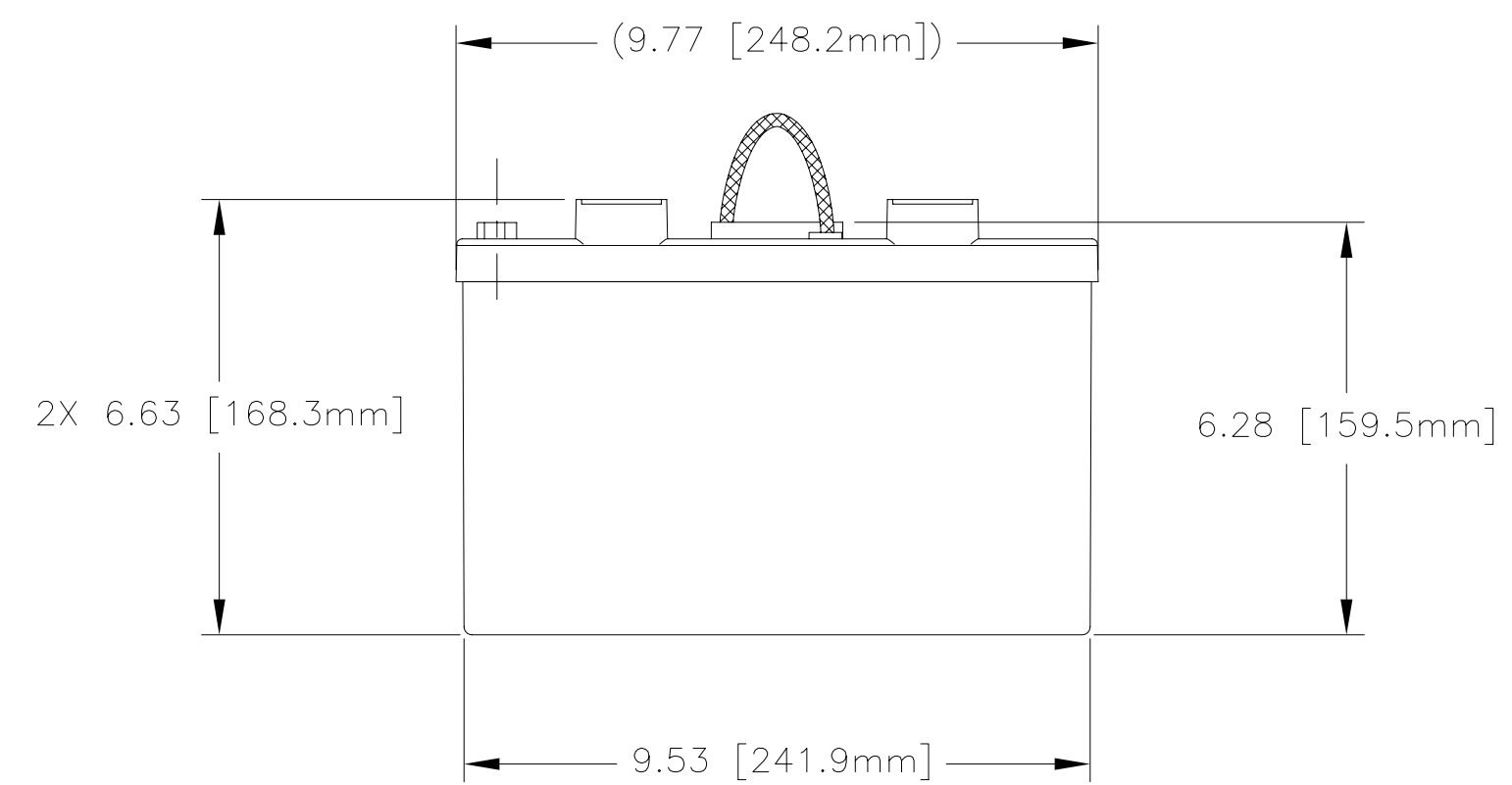
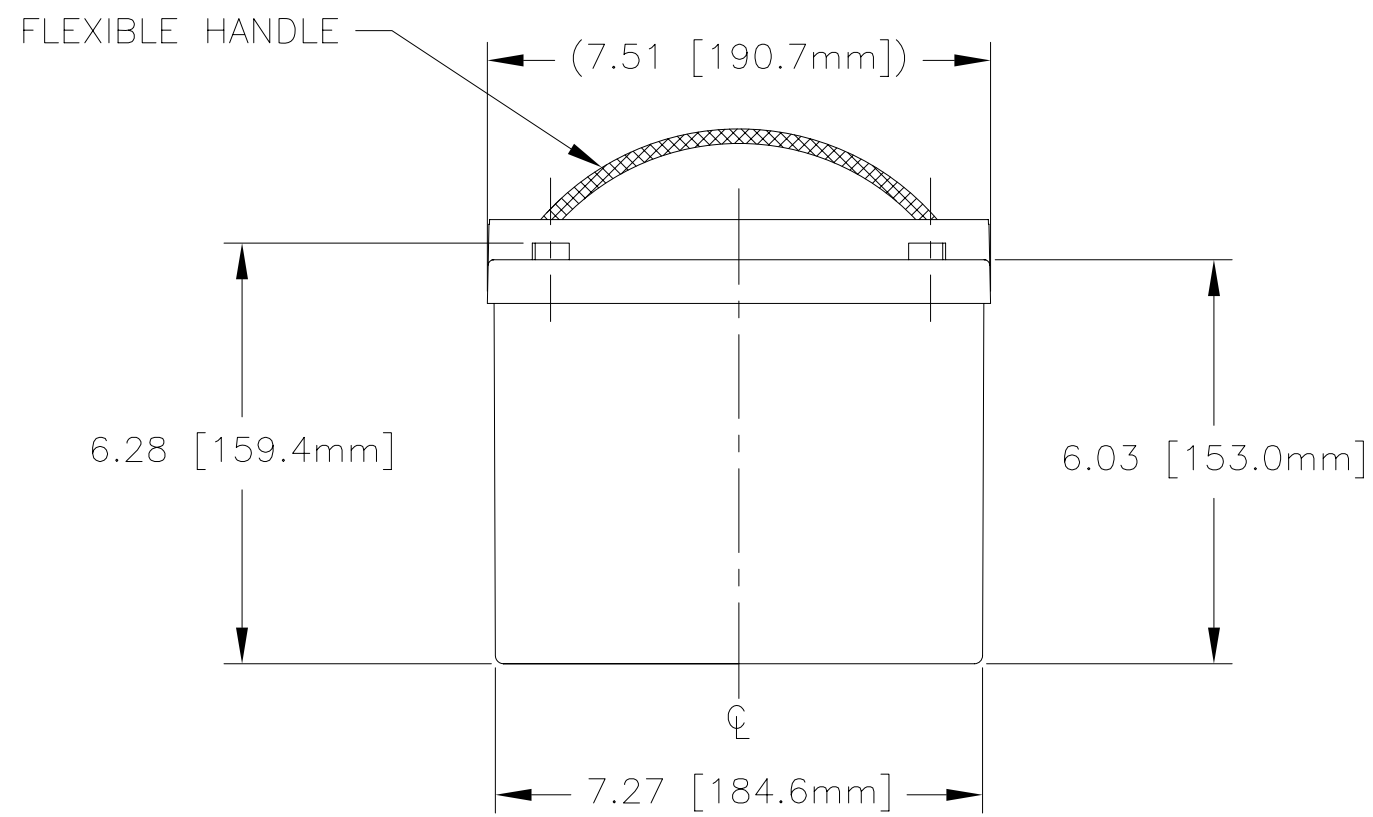
1. MANUFACTURED AND INSPECTED IAW AS9100 QUALITY SYSTEM REQUIREMENTS.
2. ABBREVIATION USED IN TITLE IS: VALVE REGULATED SEALED LEAD ACID (VRSLA).
3. SEE DRAWING NUMBER CB-00241 AND PROCEDURE P-1000 FOR ASSEMBLY AND TEST INSTRUCTION. PROCEDURES AND ASSEMBLY DRAWINGS ARE FOR INTERNAL USE ONLY.
4. BATTERIES ARE RATED IAW INTERNATIONAL ELECTROTECHNICAL COMMISSION STANDARD 60952-1 AND RTCA STANDARD DO-293, UNLESS OTHERWISE NOTED.

5. GENERAL AVIATION BATTERIES ARE NOT DESIGNED FOR REPETITIVE TURBINE ENGINE STARTING.

REVISIONS			
REV	DESCRIPTION	DATE	APPROVED
A	INC 8242 REV E CHANGES	6/7/99	JBT
B	REMOVED SLEEVE, REV. HT. OF CONTAINER (WAS) 6.250	1/19/01	JBT
C	REVISED POWER RATINGS AND NOTES	2/17/10	JBT



ENVELOPE DRAWING



ENVELOPE DRAWING

PART NUMBER	RG24-20
MAXIMUM WEIGHT	42 LBS [19.1 KG]
RATED CAPACITY, C ₁	19 AH
POWER RATING AT 23°C	Ipp 900 A, Ipr 600 A
POWER RATING AT -18°C	Ipp 600 A, Ipr 475 A
POWER RATING AT -30°C	Ipp 475 A, Ipr 375 A

QTY REQD	CAGE CODE	PART OR IDENTIFYING NO.	NOMENCLATURE OR DESCRIPTION	MATERIAL SPECIFICATION	ITEM NO.
PARTS LIST					
UNLESS OTHERWISE SPECIFIED DIMENSIONS ARE IN INCHES TOLERANCES ARE:			CONTRACT NO.		
FRACTIONS DECIMALS ANGLES			CONCORDE BATTERY CORPORATION		
.XX ± .06			2009 SAN BERNARDINO RD, W. COVINA, CA 91790		
.XXX ± .060			TITLE		
			BATTERY, VRSLA, 24 VOLT		
TREATMENT		NONE	CHECKED	AMIII	7/21/98
FINISH		NONE	APPROVED	JBT	9/9/98
SIMILAR TO		ACT WT	ISSUED	JJ	2/18/10
		CALC WT	SIZE		C
			CAGE CODE		63017
			DWG NO.		RG24-20
			REV		C
			SCALE		NONE
			SHEET		1 OF 1