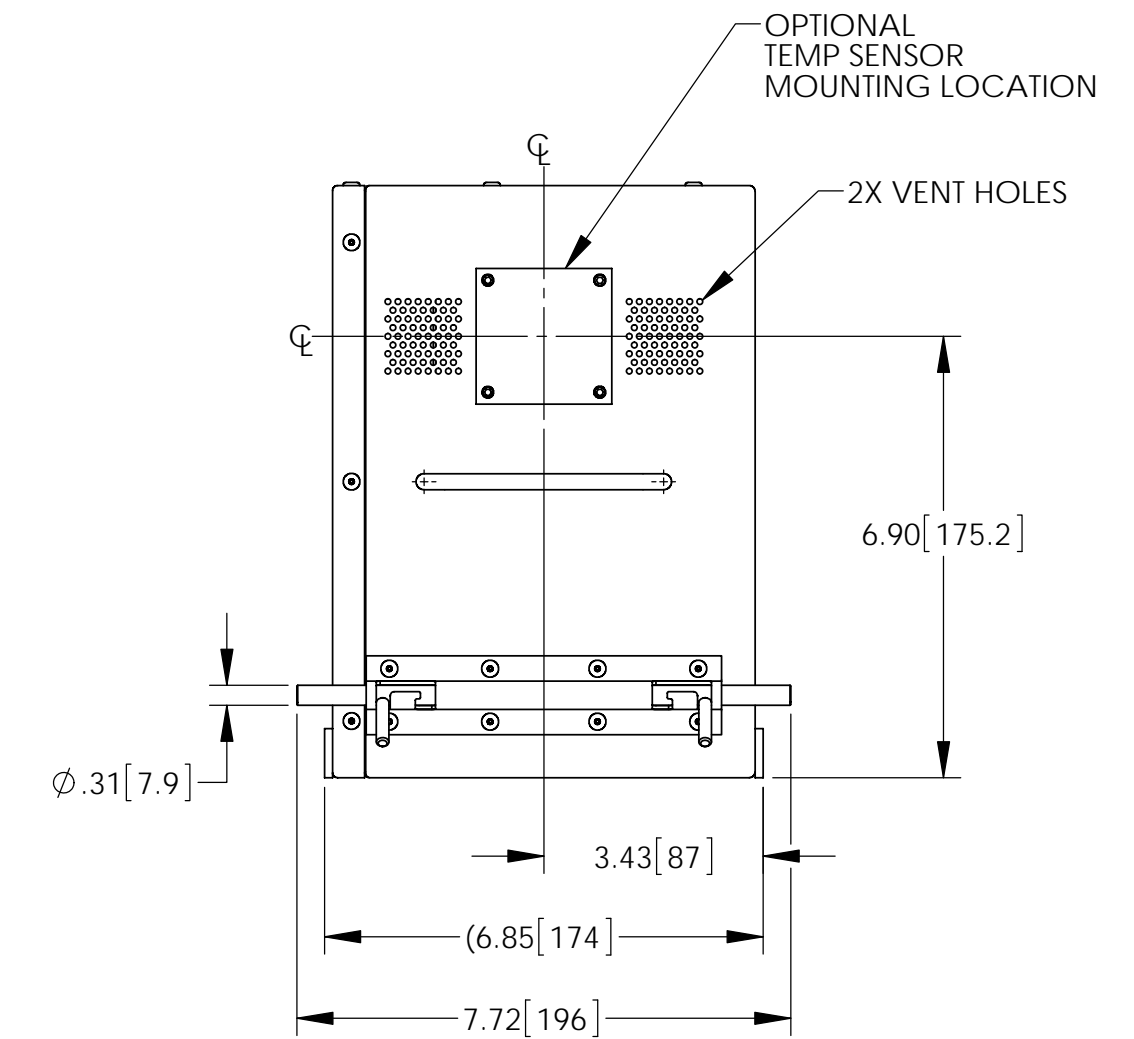
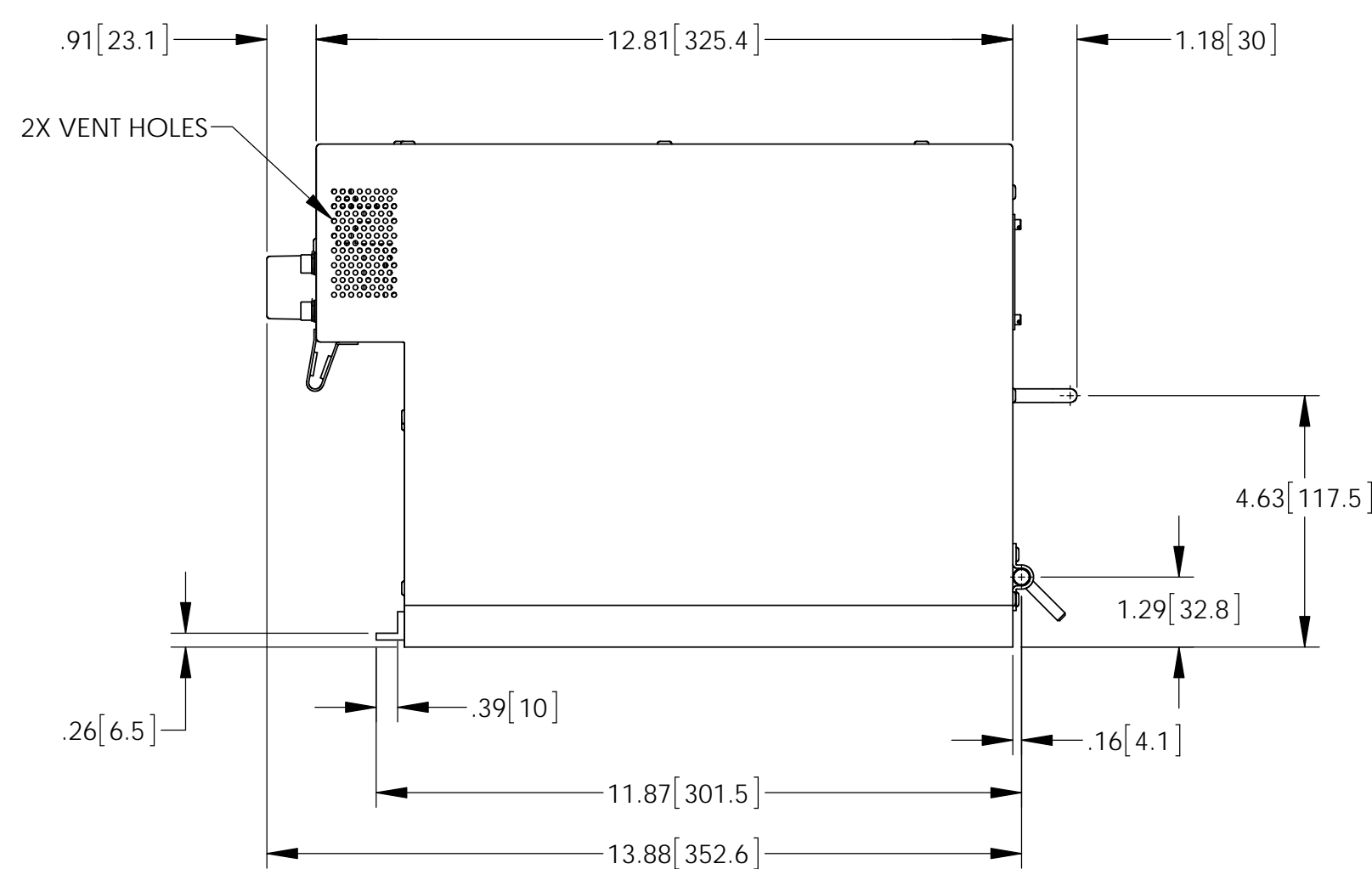
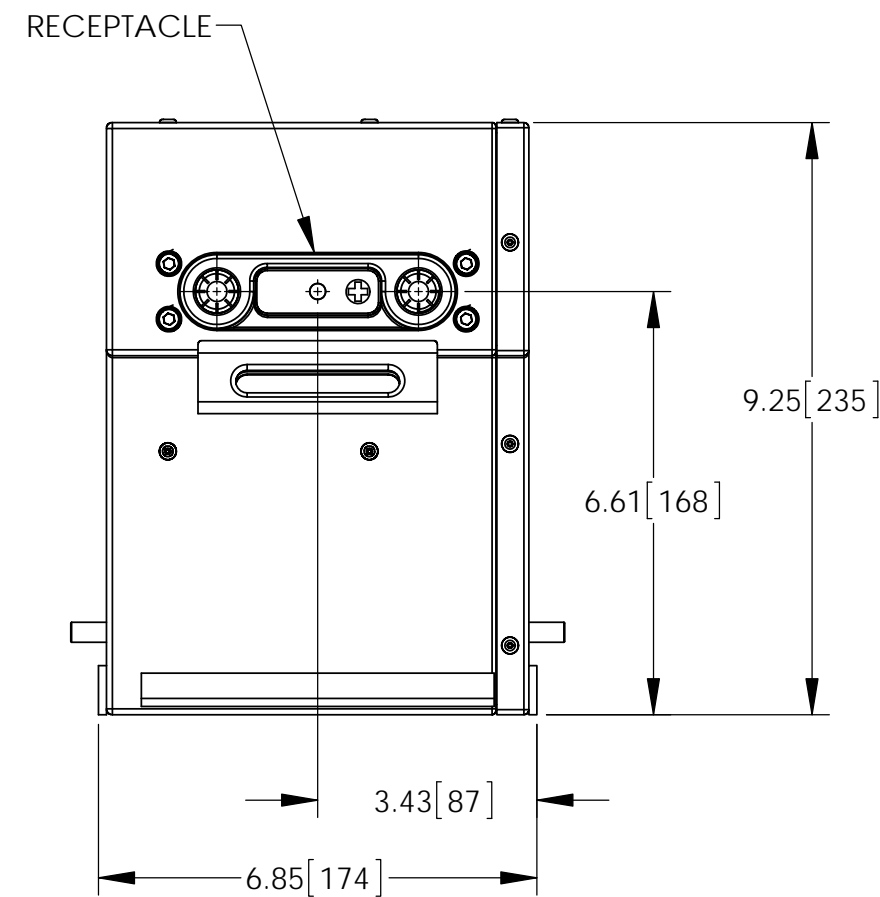
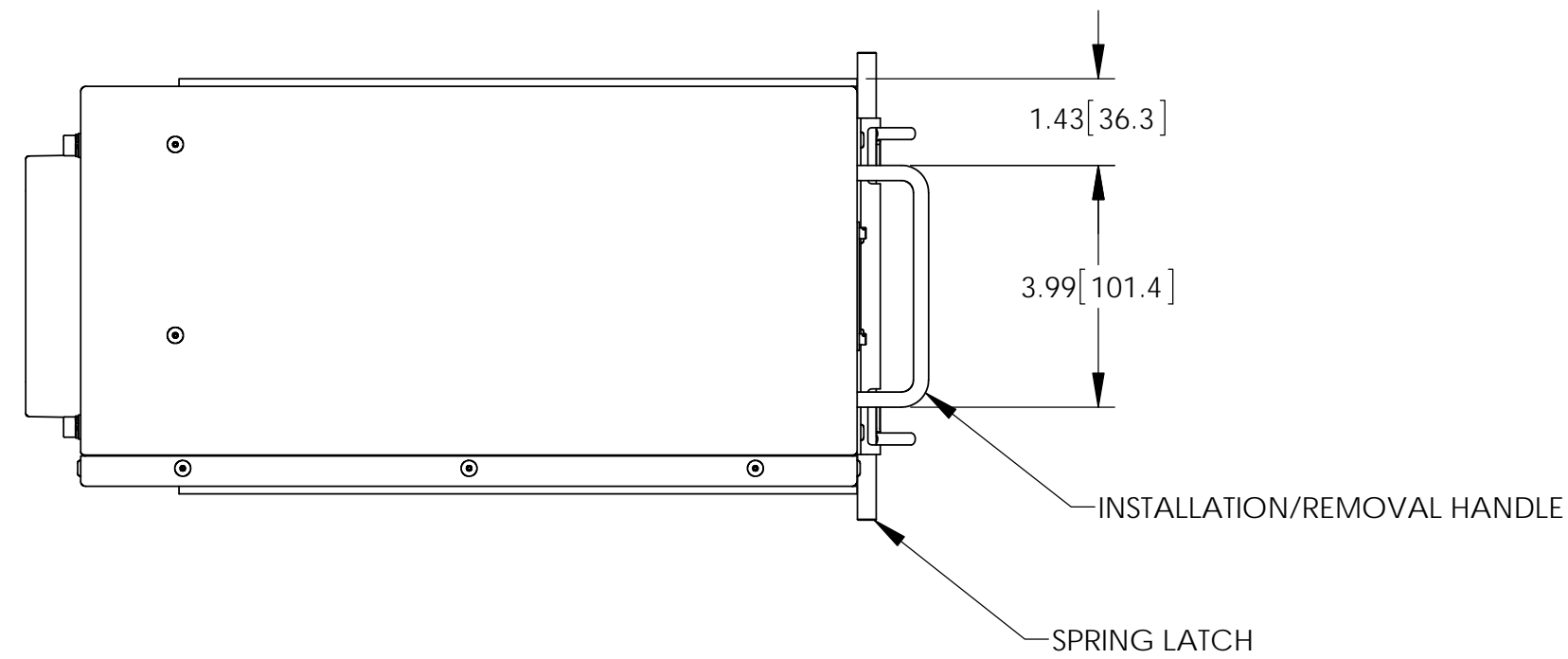


NOTES: UNLESS OTHERWISE SPECIFIED

1. MANUFACTURED AND INSPECTED IAW AS9100 QUALITY SYSTEM REQUIREMENTS.
2. DIMENSIONS ARE INCH [MILLIMETER]
3. ABBREVIATION USED IN TITLE IS: VALVE REGULATED SEALED LEAD ACID (VRSLA).
4. SEE DRAWING NO. CB-00244 AND PROCEDURE P-1000 FOR ASSEMBLY AND TEST INSTRUCTION. PROCEDURES AND ASSEMBLY DRAWINGS ARE FOR INTERNAL USE ONLY.
5. BATTERIES ARE RATED IAW INTERNATIONAL ELECTROTECHNICAL COMMISSION STANDARD 60952-1 AND RTCA STANDARD DO-293A, UNLESS OTHERWISE NOTED.
6. BATTERY MAY BE FITTED WITH OPTIONAL TEMP SENSOR.

REVISIONS			
REV	DESCRIPTION	DATE	APPROVED
A	ADDED TEMP SENSOR COVER W/DIMS, REVISED NOTES	11/22/05	JBT
B	UPDATED VIEWS, REVISED NOTES 1, 2 & 5, RATINGS PER TSO TESTS, ADDED VENT HOLES	11/5/14	JBT



PART NUMBER	RG-CIS25
MAXIMUM WEIGHT	66 LBS [29.9 KG]
RATED CAPACITY, C ₁	26 AH
POWER RATING AT 23 °C	Ipp 1375 A, Ipr 950 A
POWER RATING AT -18 °C	Ipp 975 A, Ipr 625 A
POWER RATING AT -30 °C	Ipp 750 A, Ipr 450 A

ENVELOPE DRAWING

UNLESS OTHERWISE SPECIFIED DIMENSIONS ARE IN INCHES TOLERANCES ARE:		CONTRACT NO.		CONCORDE BATTERY CORPORATION 2009 SAN BERNARDINO RD, W. COVINA, CA 91790	
FRACTIONS	DECIMALS	ANGLES	APPROVALS	DATE	TITLE
±	.XX ± .060 XXX ± .030	±°	DRAWN	A. MISTRETTA	9/18/98
TREATMENT	NONE	CHECKED	AMIII	9/18/98	BATTERY, VRSLA, 24 VOLT
FINISH	NONE	APPROVED	JBT	1/28/99	
SIMILAR TO	CALC WT	ISSUED	BJ	11/7/14	SIZE C
				SCALE 1:4	CAGE CODE 63017
				DWG NO. RG-CIS25	
				REV B	
				SHEET 1 OF 1	