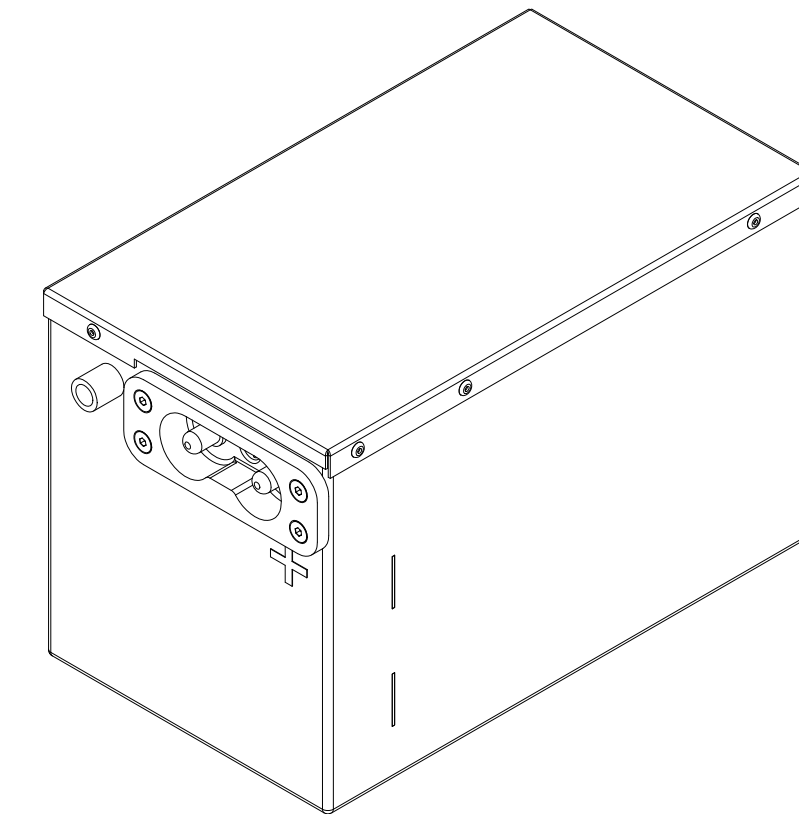
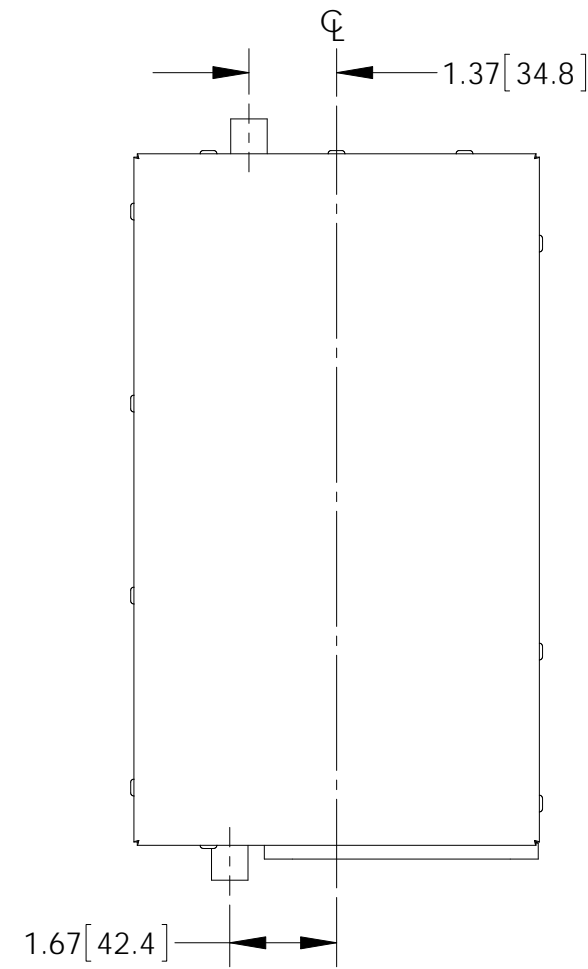


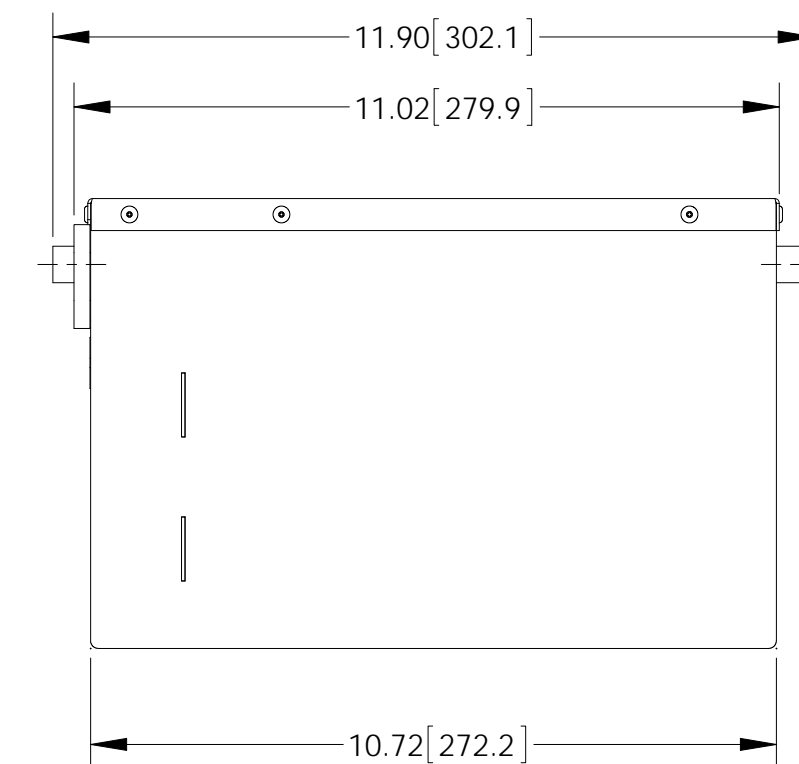
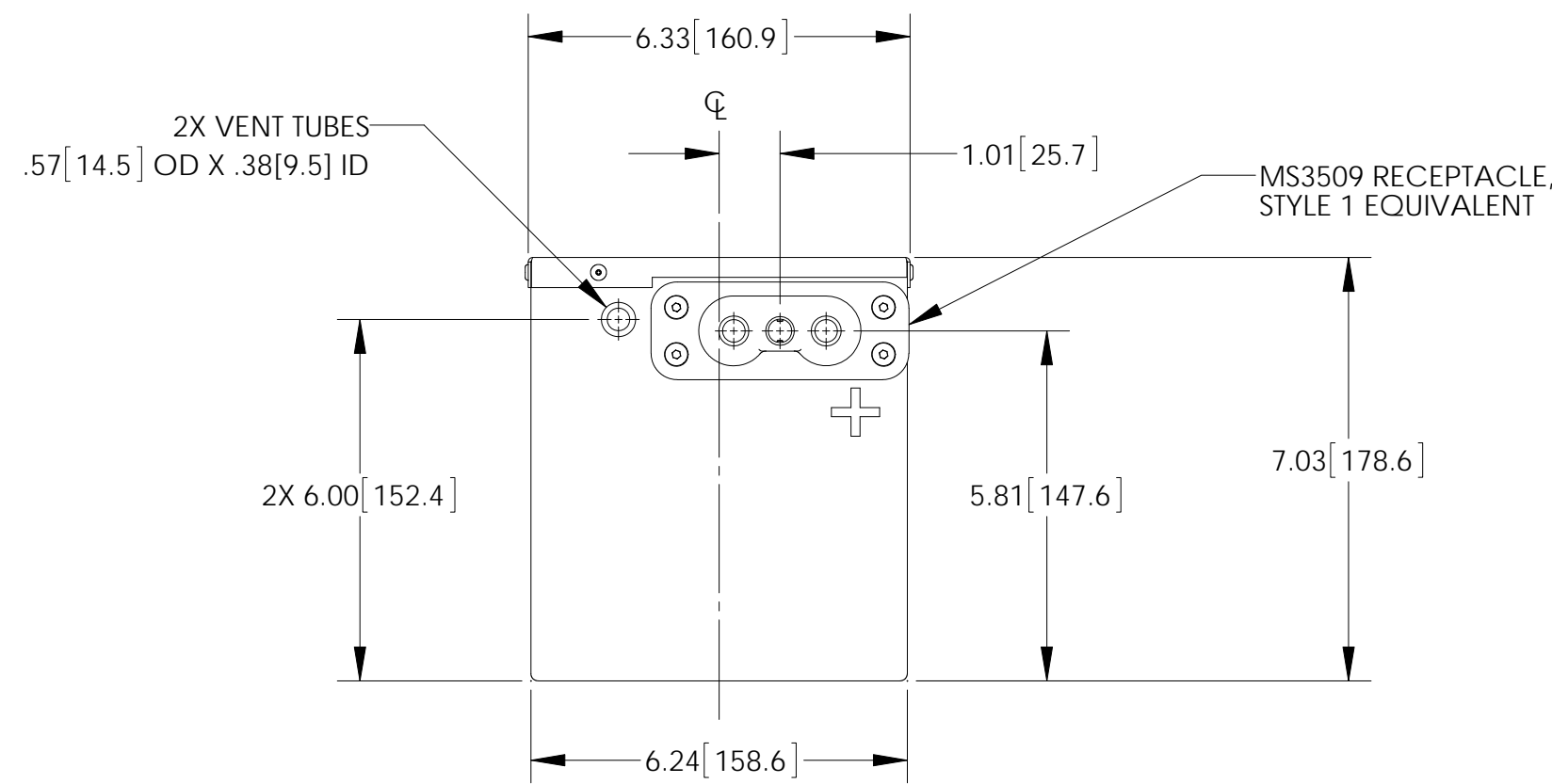
NOTES: UNLESS OTHERWISE SPECIFIED

1. MANUFACTURED AND INSPECTED IAW AS9100 QUALITY SYSTEM REQUIREMENTS.
2. ABBREVIATION USED IN TITLE IS: VALVE REGULATED SEALED LEAD ACID (VRSLA).
3. SEE DRAWING NO. CB-00441 AND PROCEDURE P-1000 FOR ASSEMBLY AND TEST INSTRUCTION. PROCEDURES AND ASSEMBLY DRAWINGS ARE FOR INTERNAL USE ONLY.
4. BATTERIES ARE RATED IAW INTERNATIONAL ELECTROTECHNICAL COMMISSION STANDARD 60952-1 AND RTCA STANDARD DO-293, UNLESS OTHERWISE NOTED.
5. COVER FASTENERS EXTEND .08 [2.0] MAX BEYOND COVER DIMENSIONS.
6. DIMENSIONS ARE INCH [MILLIMETER].

REVISIONS			
REV	DESCRIPTION	DATE	APPROVED
A	41.5 LBS WAS 42.5 LBS	5/9/13	JBT
B	ADDED RIVETS, REVISED VIEWS	9/6/14	JBT



ISOMETRIC VIEW



PART NUMBER	RG-641
MAXIMUM WEIGHT	41.5 LBS [18.8 KG]
RATED CAPACITY, C1	17 AH
POWER RATING AT 23 °C	Ipp 900 A, Ipr 625 A
POWER RATING AT -18 °C	Ipp 600 A, Ipr 425 A
POWER RATING AT -30 °C	Ipp 450 A, Ipr 300 A

ENVELOPE DRAWING

UNLESS OTHERWISE SPECIFIED DIMENSIONS ARE IN INCHES TOLERANCES ARE:			CONTRACT NO.		CONCORDE BATTERY CORPORATION 2009 SAN BERNARDINO RD, W. COVINA, CA 91790			
FRACTIONS	DECIMALS	ANGLES	APPROVALS	DATE	TITLE			
±1/32	.XX ± .06 XXX ± .030	±1°	DRAWN D. AYALA	1/17/13	BATTERY, VRSLA, 24 VOLT			
TREATMENT	NONE	CHECKED AMIII	2/12/13	SIZE	CAGE CODE	DWG NO.	REV	
FINISH	NONE	APPROVED JBT	2/13/13	C	63017	RG-641	B	
SIMILAR TO	CALC WT	ISSUED BJ	9/9/14	SCALE	1:3	SHEET 1 OF 1		