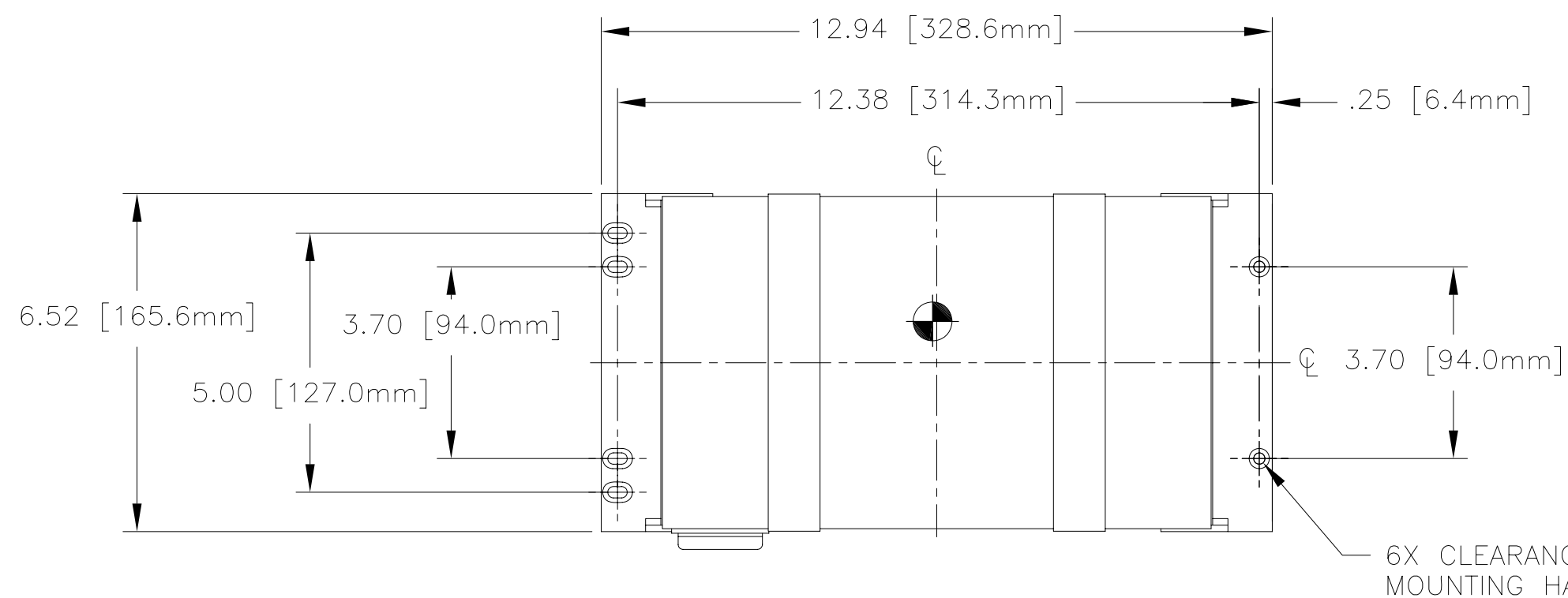


NOTES: UNLESS OTHERWISE SPECIFIED

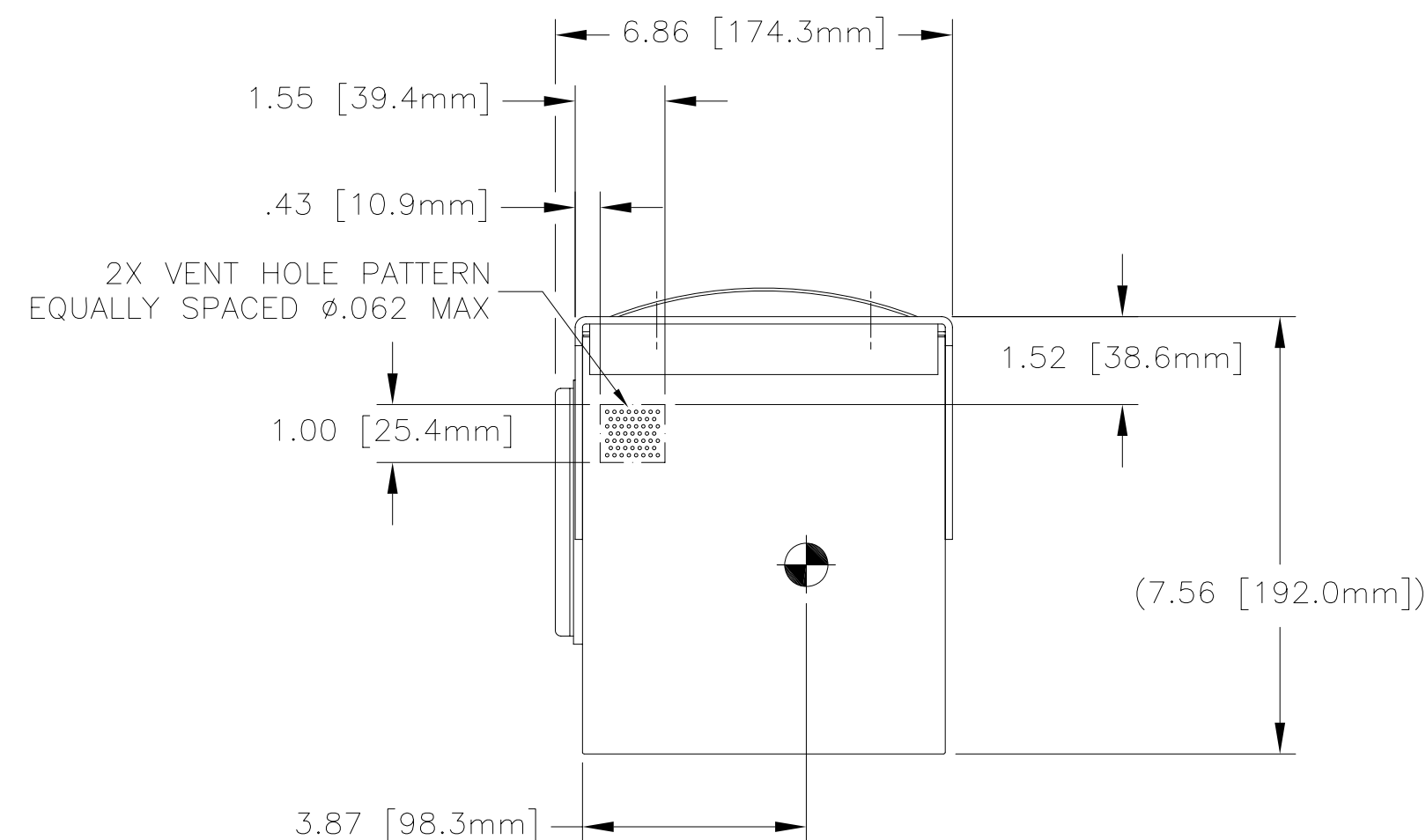
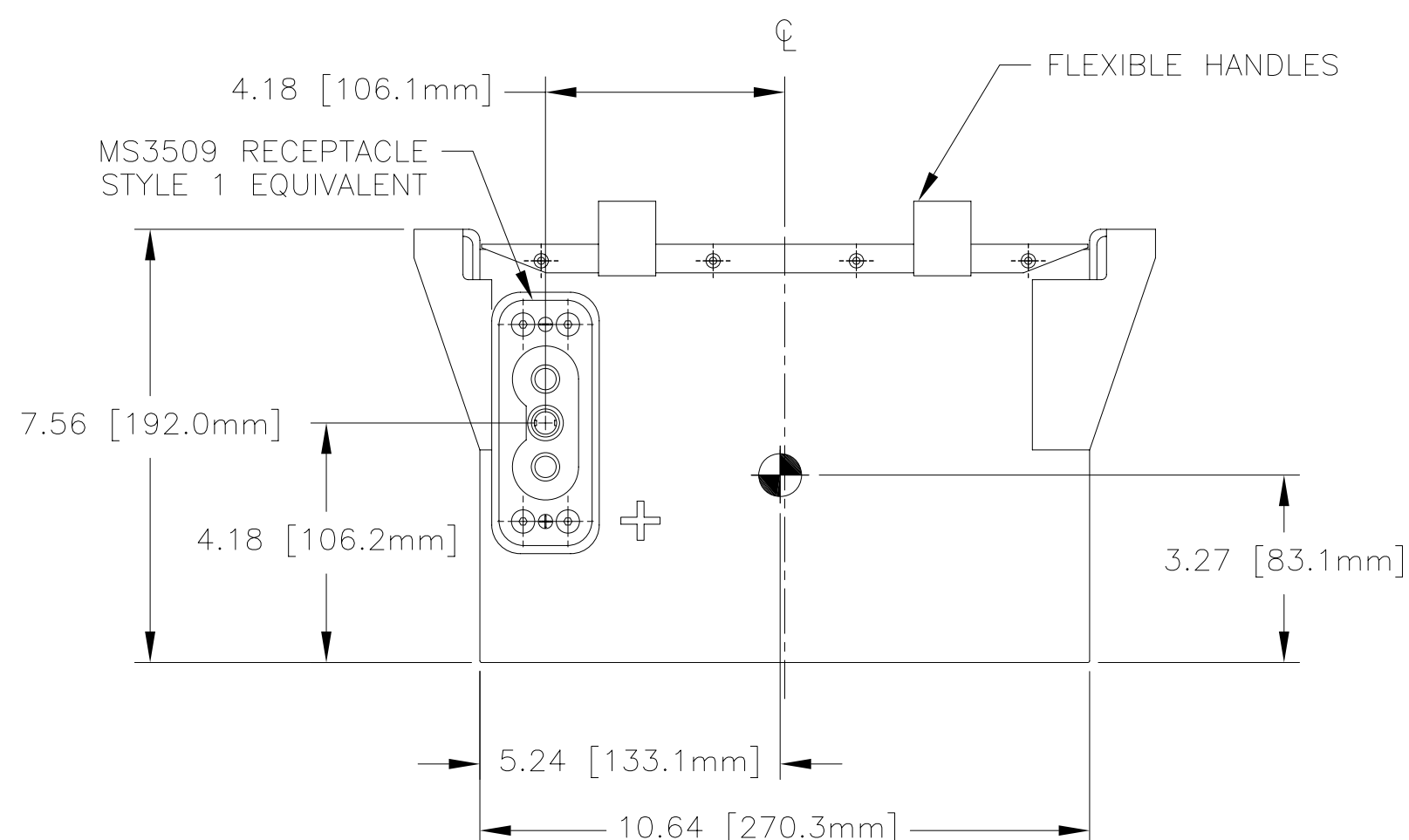
1. MANUFACTURED AND INSPECTED IAW AS9100 QUALITY SYSTEM REQUIREMENTS.
2. ABBREVIATION USED IN TITLE IS: VALVE REGULATED SEALED LEAD ACID (VRSLA).
3. SEE DRAWING NO. CB-00223 AND PROCEDURE P-1000 FOR ASSEMBLY AND TEST INSTRUCTION. PROCEDURES AND ASSEMBLY DRAWINGS ARE FOR INTERNAL USE ONLY.

4. BATTERIES ARE RATED IAW INTERNATIONAL ELECTROTECHNICAL COMMISSION STANDARD 60952-1 AND RTCA DO-293, UNLESS OTHERWISE NOTED.

REVISIONS			
REV	DESCRIPTION	DATE	APPROVED
A	SEE DCN 0229	6/27/97	DG
B	INCREASED BATTERY HEIGHT BY 1/4"; ADDED MM DIMS PART NO. WAS MODEL NO.	2/12/98	JBT
C	DECREASED HEIGHT BY 1/4" WAS: 4.43 IS: 4.18 REVISED NOTES	2/17/00	JBT
D	UPDATED NOTES 1, 2, 5, AND RATINGS PER TSO TEST	11/6/09	JBT
E	ADDED CG WITH DIMS, DELETED NOTES 1 & 6, RENUM NOTES 2 THRU 5	4/8/10	JBT



PART NUMBER	RG-500
MAXIMUM WEIGHT	42 LBS [19.1 KG]
RATED CAPACITY, C ₁	17 AH
POWER RATING AT 23°C	I _{pp} 900 A, I _{pr} 625 A
POWER RATING AT -18°C	I _{pp} 600 A, I _{pr} 425 A
POWER RATING AT -30°C	I _{pp} 450 A, I _{pr} 300 A



ENVELOPE DRAWING

QTY REQD	FSCM NO.	PART OR IDENTIFYING NO.	NOMENCLATURE OR DESCRIPTION	MATERIAL SPECIFICATION	ITEM NO.
PARTS LIST					
UNLESS OTHERWISE SPECIFIED DIMENSIONS ARE IN INCHES TOLERANCES ARE:			CONCORDE BATTERY CORPORATION		
FRACTIONS DECIMALS ANGLES			2009 SAN BERNARDINO RD, W. COVINA, CA 91790		
± 1/32 .XX ± .06 ± 1'			TITLE		
.XXX ± .030			BATTERY, VRSLA, 24 VOLT		
TREATMENT	NONE	CHECKED	AMIII	3/10/97	SIZE
FINISH	NONE	APPROVED	DG	3/10/97	FSCM NO.
SIMILAR TO	ACT WT	ISSUED	JJ	4/12/10	63017
	CALC WT				DWG. NO.
					RG-500
					REV
					E
					SCALE
					NONE
					SHEET
					1 OF 1