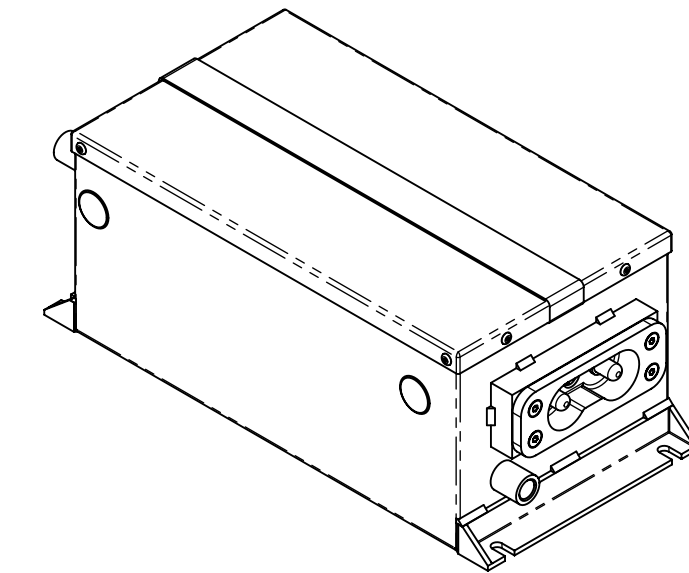
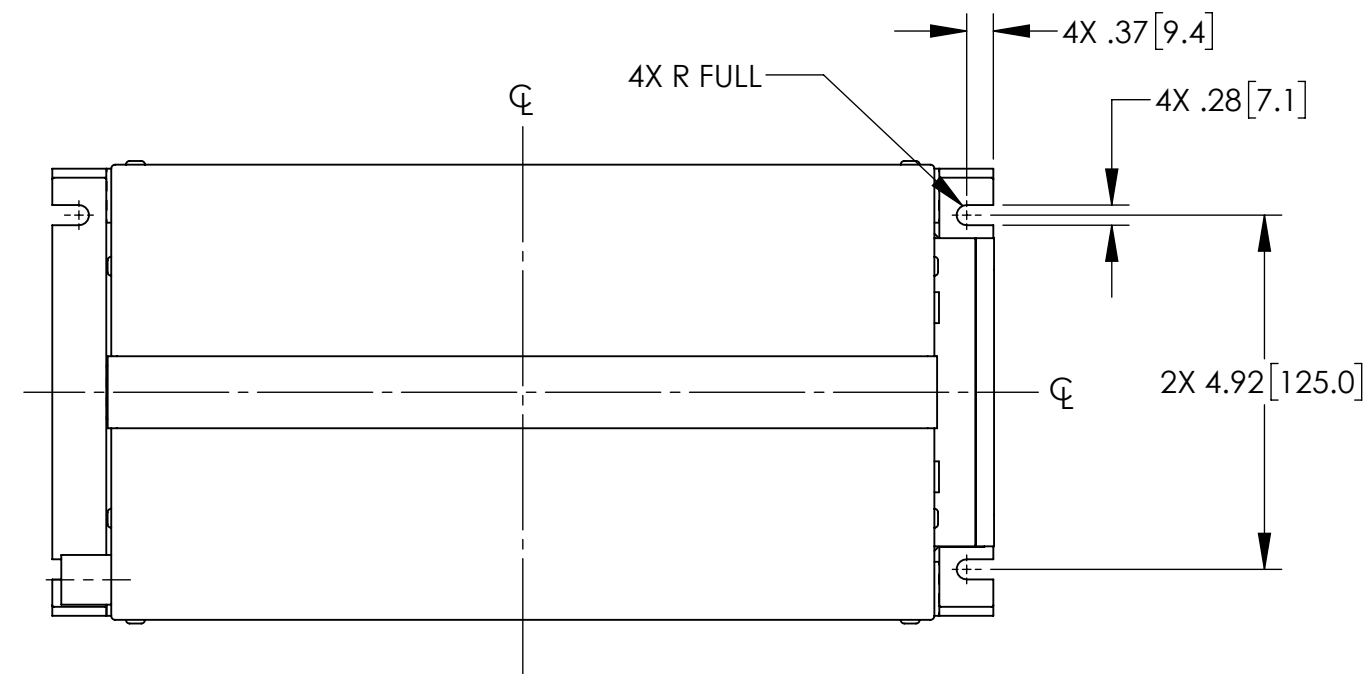


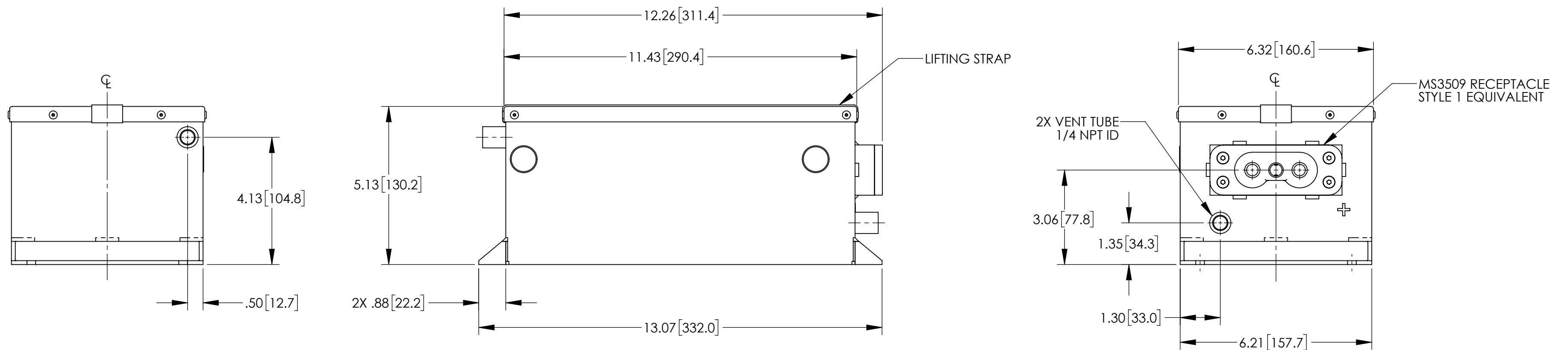
NOTES: UNLESS OTHERWISE SPECIFIED

1. MANUFACTURED AND INSPECTED IAW AS9100 QUALITY SYSTEM REQUIREMENTS.
2. ABBREVIATION USED IN TITLE IS: VALVE REGULATED SEALED LEAD ACID (VRSLA).
3. SEE DRAWING NO. CB-00273 AND PROCEDURE P-1000 FOR ASSEMBLY AND TEST INSTRUCTION. PROCEDURES AND ASSEMBLY DRAWINGS ARE FOR INTERNAL USE ONLY.
4. BATTERIES ARE RATED IAW INTERNATIONAL ELECTROTECHNICAL COMMISSION STANDARD 60952-1 AND RTCA STANDARD DO-293A, UNLESS OTHERWISE NOTED.
5. DIMENSIONS ARE INCH [MILLIMETERS].

REVISIONS			
REV	DESCRIPTION	DATE	APPROVED
A	REV POWER RATINGS AND NOTES, REDRAWN IN SOLIDWORKS	6/28/17	PH



REFERENCE VIEW



PART NUMBER	RG-46
MAXIMUM WEIGHT	34 LBS [15.4 KG]
RATED CAPACITY, C ₁	12 AH
POWER RATING AT 23°C	I _{pp} 700 A, I _{pr} 500 A
POWER RATING AT -18°C	I _{pp} 500 A, I _{pr} 325 A
POWER RATING AT -30°C	I _{pp} 350 A, I _{pr} 225 A

ENVELOPE DRAWING

UNLESS OTHERWISE SPECIFIED DIMENSIONS ARE IN INCHES TOLERANCES ARE:			CONTRACT NO.		CONCORDE BATTERY CORPORATION 2009 SAN BERNARDINO RD, W. COVINA, CA 91790		
FRACTIONS	DECIMALS	ANGLES	APPROVALS	DATE	TITLE		
±	.XX ± .06 .XXX ± .060	±°	DRAWN	ELH	7/13/99	BATTERY, VRSLA, 24 VOLT	
TREATMENT	NONE		CHECKED	AMIII	7/14/99	SIZE	CAGE CODE
FINISH	NONE		APPROVED	JBT	7/14/99	C	63017
SIMILAR TO	CALC WT		ISSUED	AT	6/29/17	DWG NO.	RG-46
						SCALE	3:8
						REV	A
						SHEET	1 OF 1