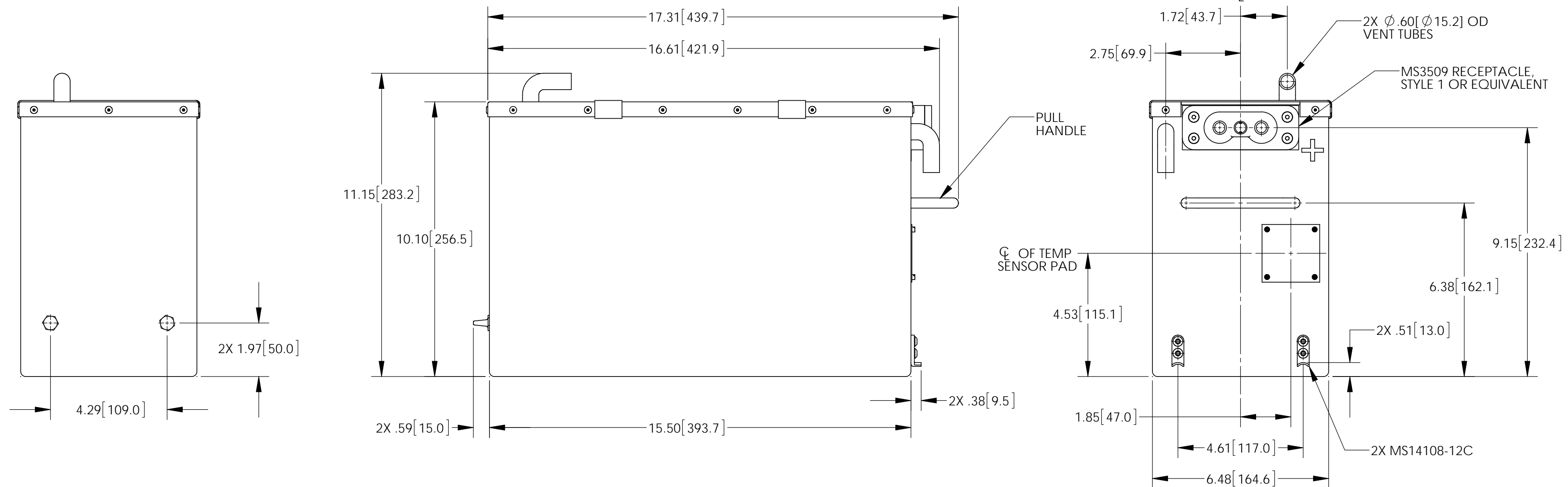
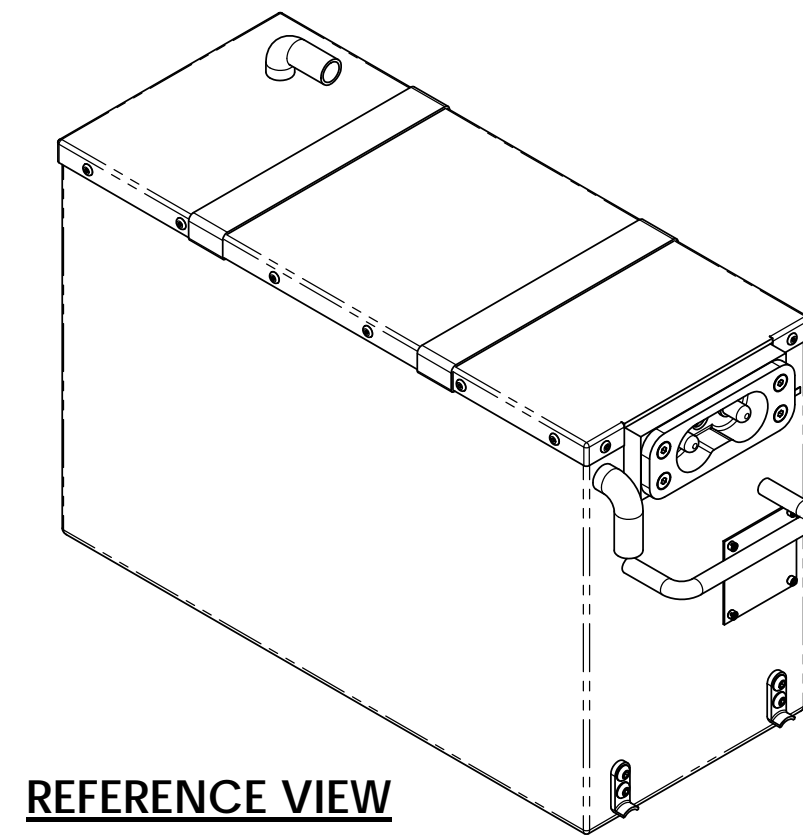
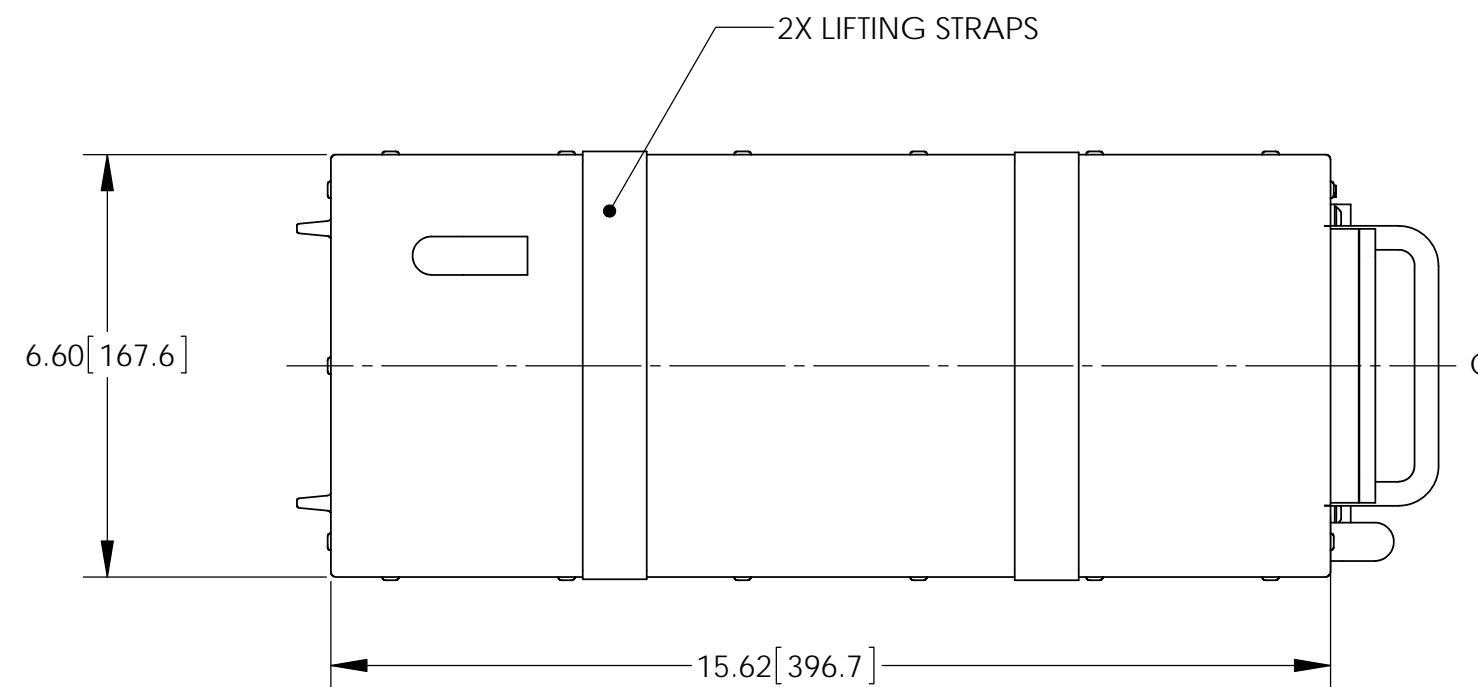


NOTES: UNLESS OTHERWISE SPECIFIED

1. MANUFACTURED AND INSPECTED IAW AS9100 QUALITY SYSTEM REQUIREMENTS.
2. ABBREVIATION USED IN TITLE IS: VALVE REGULATED SEALED LEAD ACID (VRSLA).
3. SEE DRAWING NO. CB-00318 AND PROCEDURE P-1000 FOR ASSEMBLY AND TEST INSTRUCTION. PROCEDURES AND ASSEMBLY DRAWINGS ARE FOR INTERNAL USE ONLY.
4. BATTERIES ARE RATED IAW INTERNATIONAL ELECTROTECHNICAL COMMISSION STANDARD 60952-1 AND RTCA STANDARD DO-293A, UNLESS OTHERWISE NOTED.
5. DIMENSIONS ARE INCH [MILLIMETER].
6. BATTERY MAY BE FITTED WITH OPTIONAL TEMP SENSOR.

REVISIONS			
REV	DESCRIPTION	DATE	APPROVED
A	RELOCATED TEMP SENSOR PAD	11/7/02	JBT
B	REVISED OAL, OAW, FRONT HANDLE, AND REAR PINS	12/18/07	JBT
C	UPDATED RATINGS PER TSO TEST	4/2/08	JBT
D	UPDATED IPP AND IPR RATINGS AND NOTES	8/21/15	JBT



ENVELOPE DRAWING

PART NUMBER	RG-442
MAXIMUM WEIGHT	86.0 LBS [39.0 KG]
RATED CAPACITY, C ₁	44 AH
POWER RATING AT 23 °C	lpp 1200 A, lpr 950 A
POWER RATING AT -18 °C	lpp 1025 A, lpr 800 A
POWER RATING AT -30 °C	lpp 875 A, lpr 675 A

UNLESS OTHERWISE SPECIFIED DIMENSIONS ARE IN INCHES TOLERANCES ARE:			CONTRACT NO.		CONCORDE BATTERY CORPORATION 2009 SAN BERNARDINO RD, W. COVINA, CA 91790				
FRACTIONS	DECIMALS	ANGLES	APPROVALS	DATE	TITLE				
±1/32	.XX ± .06 XXX ± .030	±1°	DRAWN A. MISTRETTA	10/18/01	BATTERY, VRSLA, 24 VOLT				
TREATMENT	NONE	CHECKED HRF	APPROVED JBT	4/24/02	4/26/02	SIZE C	CAGE CODE 63017	DWG NO. RG-442	REV D
FINISH	NONE	ISSUED BJ	8/21/15	SCALE NONE	SHEET 1 OF 1				