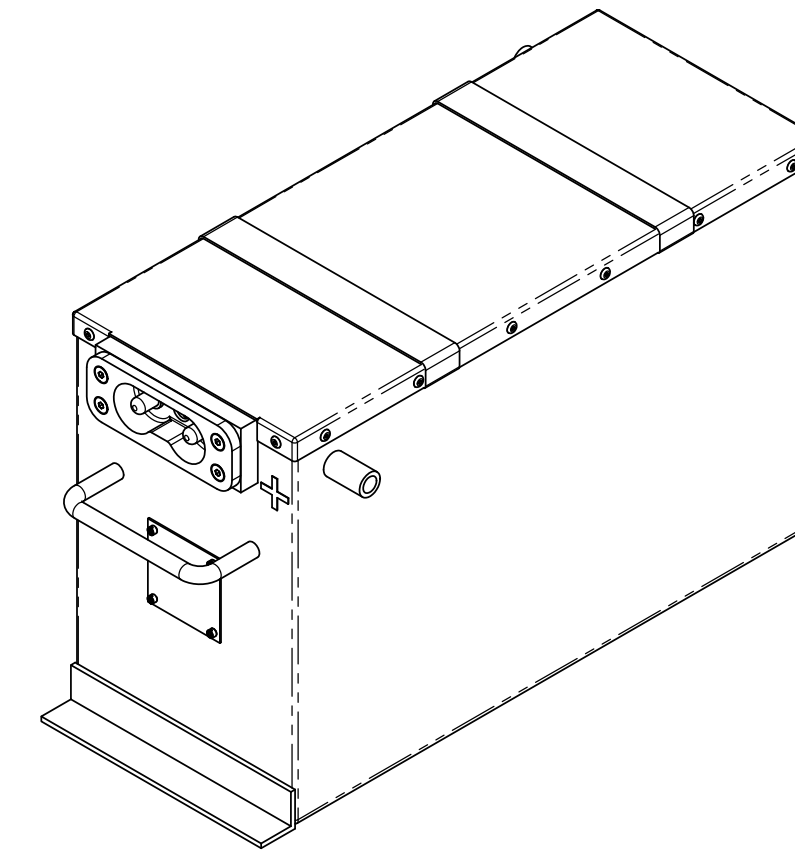
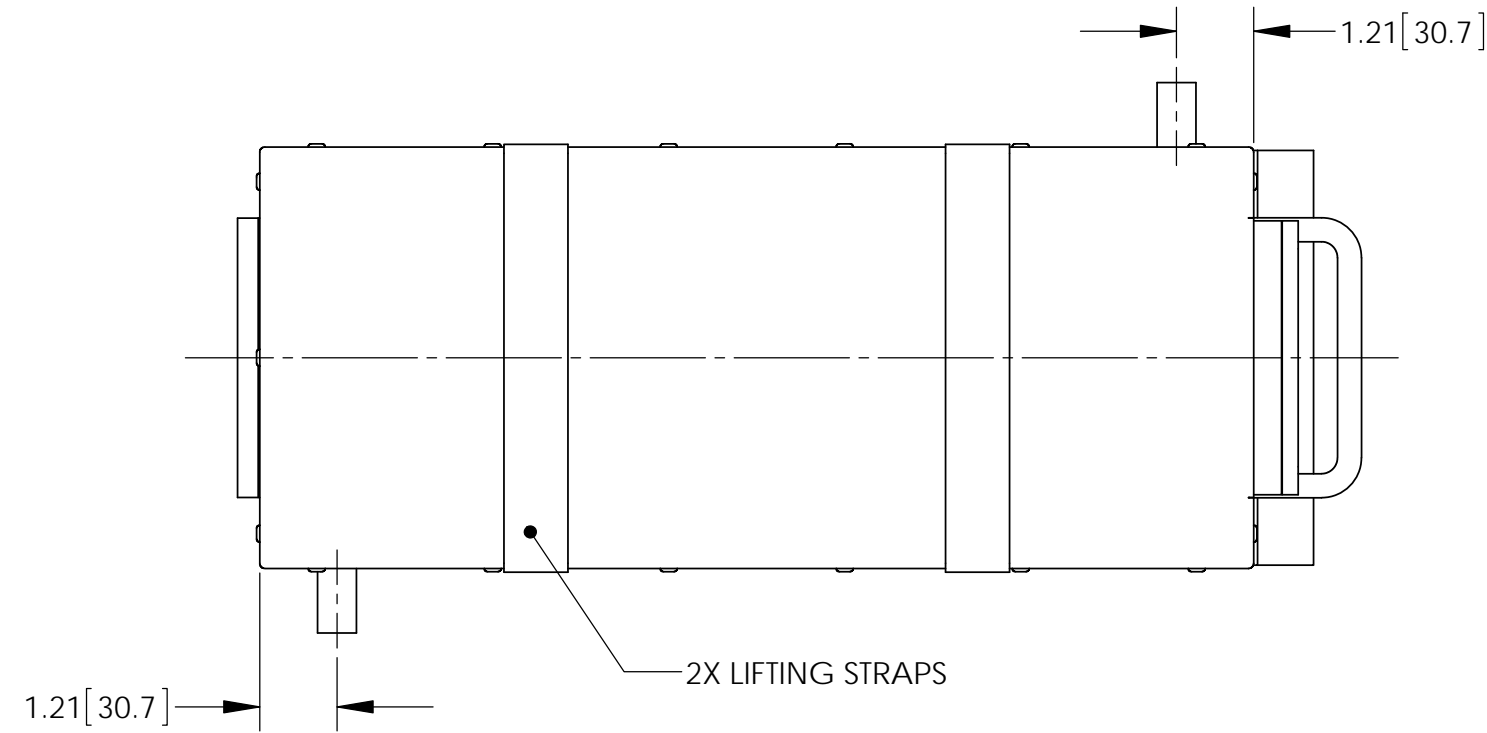


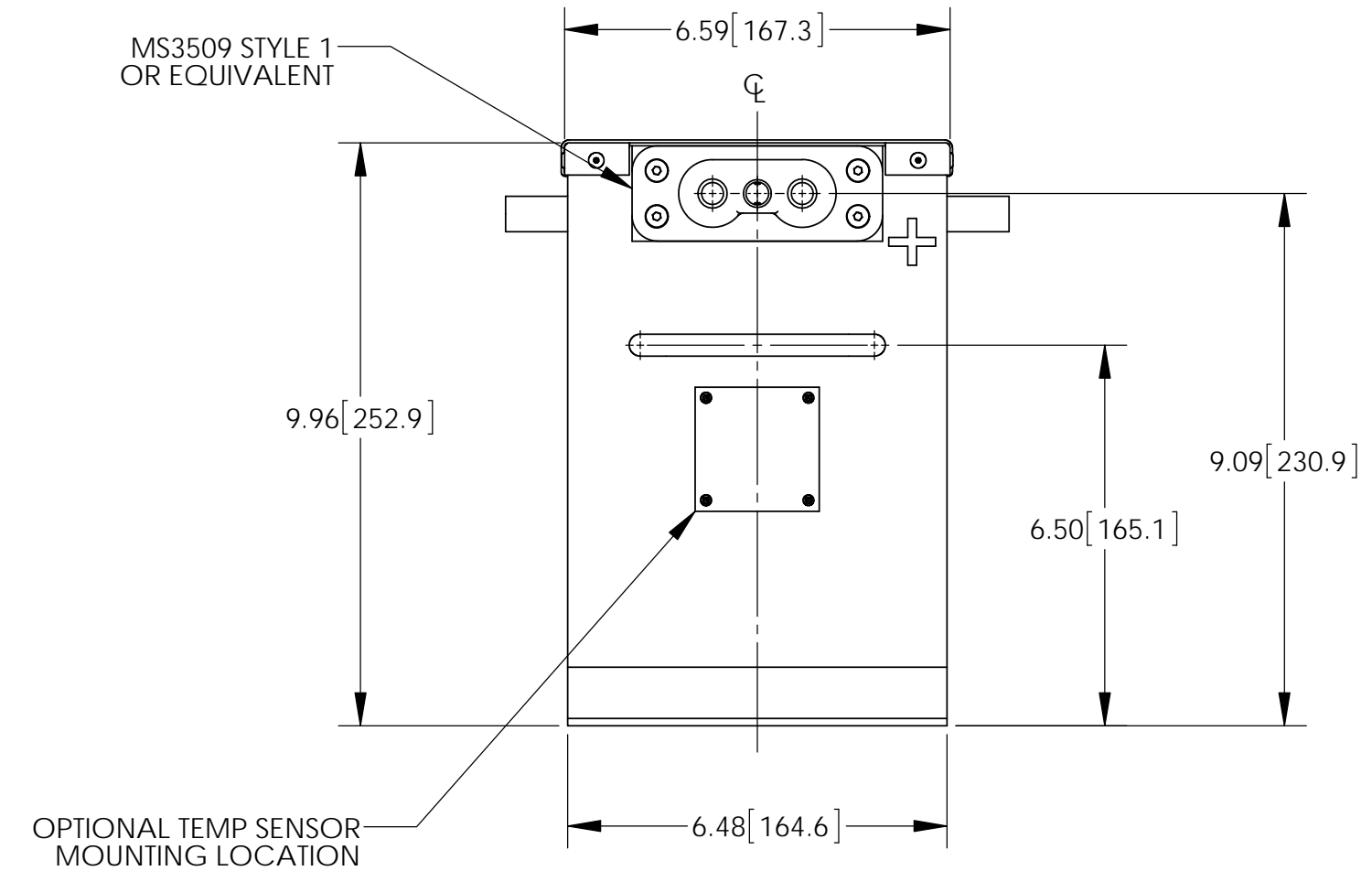
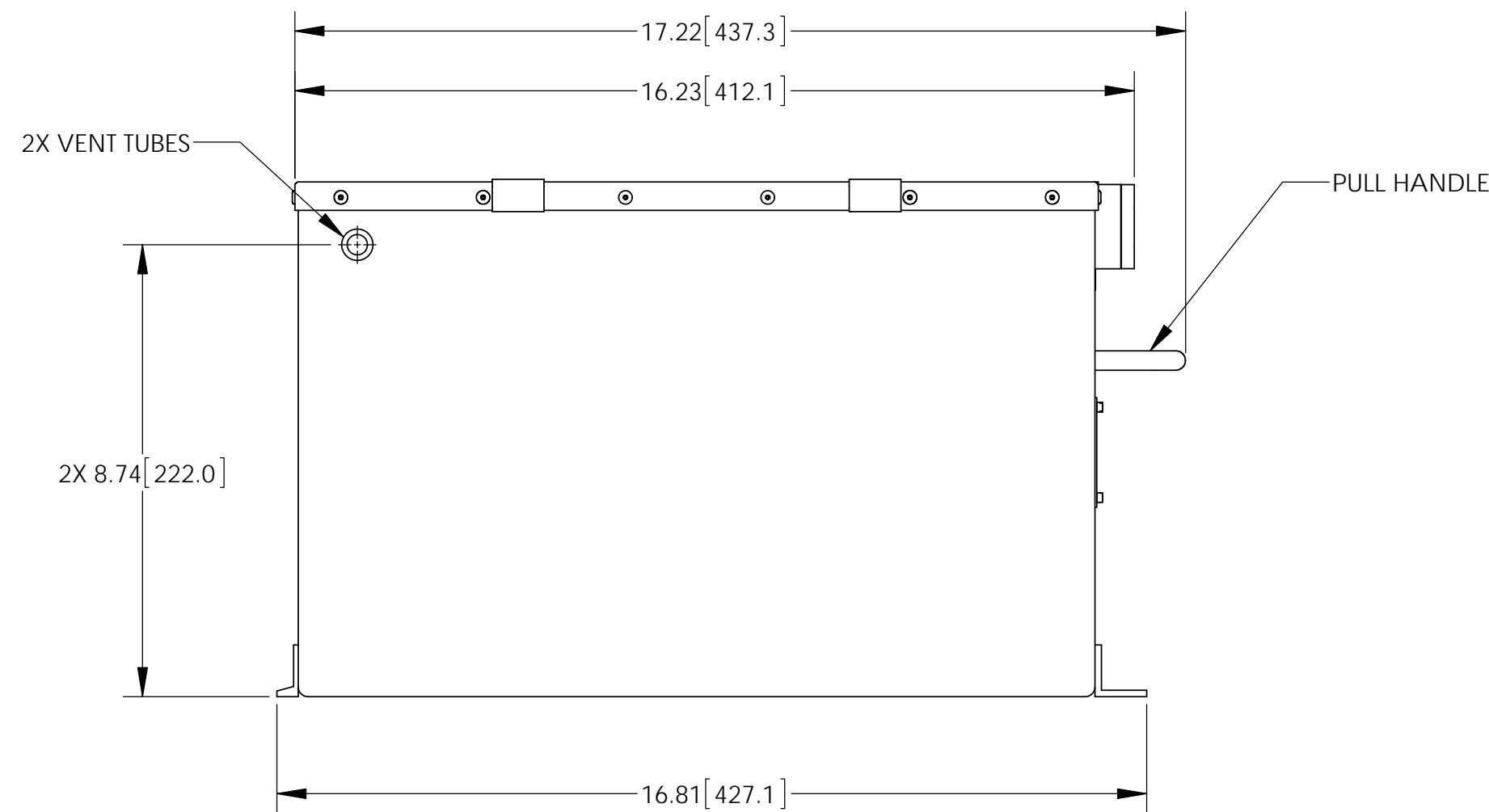
NOTES: UNLESS OTHERWISE SPECIFIED

1. MANUFACTURED AND INSPECTED IAW AS9100 QUALITY SYSTEM REQUIREMENTS.
2. ABBREVIATION USED IN TITLE IS: VALVE REGULATED SEALED LEAD ACID (VRSLA).
3. SEE DRAWING NO. CB-00258 AND PROCEDURE P-1000 FOR ASSEMBLY AND TEST INSTRUCTION. PROCEDURES AND ASSEMBLY DRAWINGS ARE FOR INTERNAL USE ONLY.
4. BATTERIES ARE RATED IAW INTERNATIONAL ELECTROTECHNICAL COMMISSION STANDARD 60952-1 AND RTCA STANDARD DO-293A, UNLESS OTHERWISE NOTED.
5. BATTERY MAY BE FITTED WITH OPTIONAL TEMP SENSOR.
6. DIMENSIONS ARE INCH [MILLIMETER].

REVISIONS			
REV	DESCRIPTION	DATE	APPROVED
A	REV FRONT HANDLE, OAL, AND NOTES, DIM 6.48 WAS 6.46	12/13/07	JBT
B	UPDATED RATINGS PER TSO TEST	4/2/08	JBT
C	UPDATED IPP AND IPR RATINGS AND NOTES	8/21/15	JBT



REFERENCE VIEW



ENVELOPE DRAWING

PART NUMBER	RG-441
MAXIMUM WEIGHT	86.0 LBS [39.0 KG]
RATED CAPACITY, C ₁	44 AH
POWER RATING AT 23 °C	Ipp 1200 A, Ipr 950 A
POWER RATING AT -18 °C	Ipp 1025 A, Ipr 800 A
POWER RATING AT -30 °C	Ipp 875 A, Ipr 675 A

UNLESS OTHERWISE SPECIFIED DIMENSIONS ARE IN INCHES TOLERANCES ARE:		CONTRACT NO.		CONCORDE BATTERY CORPORATION 2009 SAN BERNARDINO RD, W. COVINA, CA 91790	
FRACTIONS ±1/32	DECIMALS .XX ± .06 XXX ± .030	ANGLES ±1°	APPROVALS	DATE	TITLE
			DRAWN A. MISTRETTA	10/17/01	BATTERY, VRSLA, 24 VOLT
			CHECKED AMIII	2/19/02	
			APPROVED JBT	2/21/02	SIZE C
			ISSUED BJ	8/21/15	CAGE CODE 63017
					DWG NO. RG-441
					REV C
			SCALE 1:3		SHEET 1 OF 1