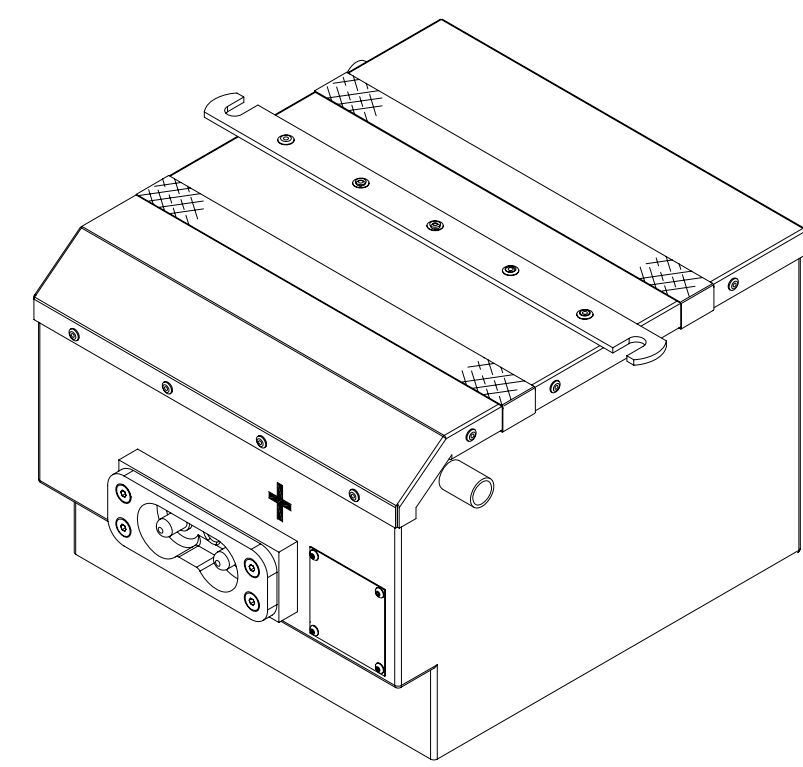
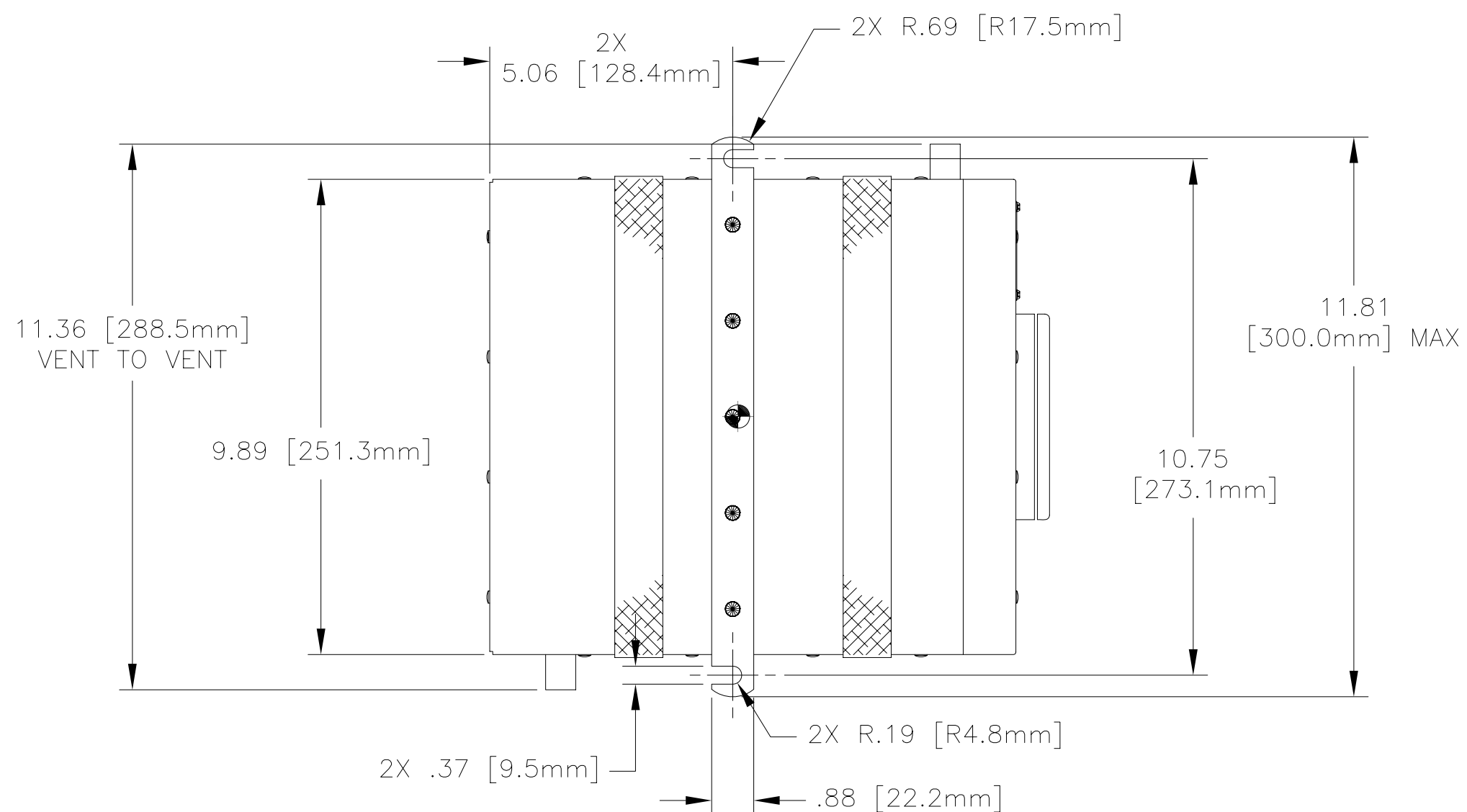


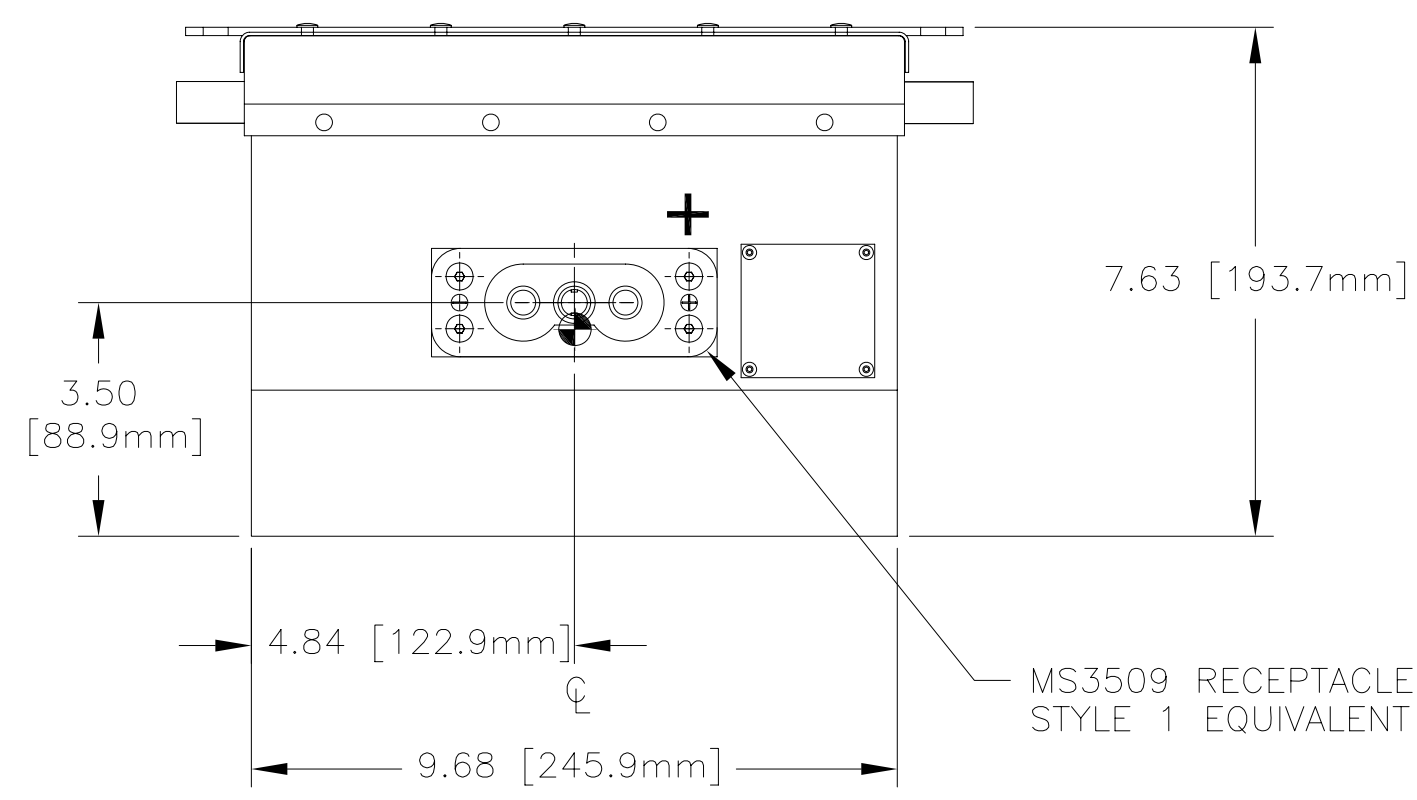
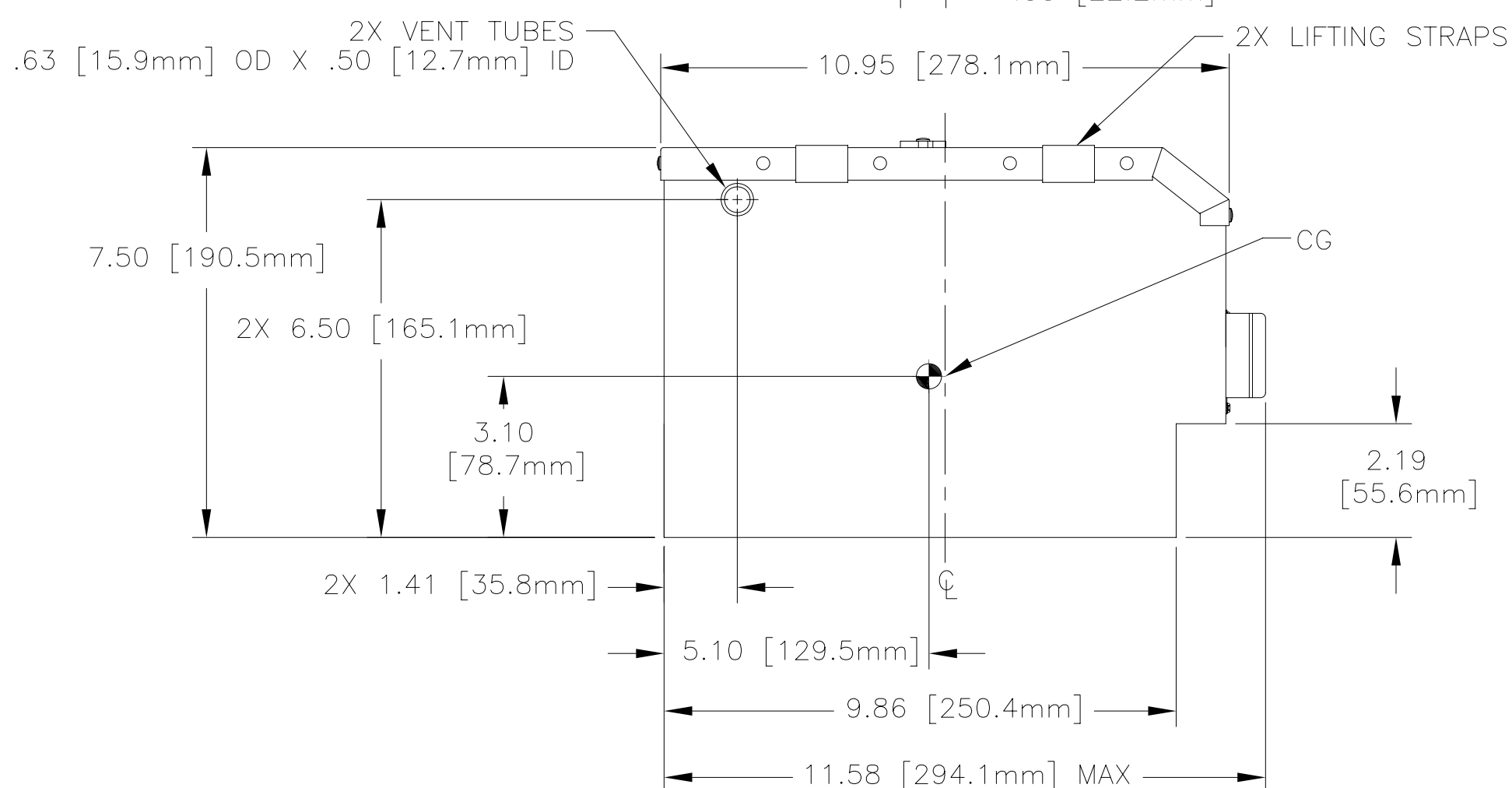
NOTES: UNLESS OTHERWISE SPECIFIED

1. MANUFACTURED AND INSPECTION IAW AS9100 QUALITY SYSTEM REQUIREMENTS.
2. ABBREVIATION USED IN TITLE IS: VALVE REGULATED SEALED LEAD ACID (VRSLA).
3. SEE DRAWING NUMBER CB-00255 AND PROCEDURE P-1000 FOR ASSEMBLY AND TEST INSTRUCTION. PROCEDURES AND ASSEMBLY DRAWINGS ARE FOR INTERNAL USE ONLY.
4. BATTERIES ARE RATED IAW INTERNATIONAL ELECTROTECHNICAL COMMISSION STANDARD 60952-1 AND RTCA STANDARD DO-293, UNLESS OTHERWISE NOTED.
5. DIMENSIONS ARE IN INCH [MILLIMETER]

REVISIONS			
REV	DESCRIPTION	DATE	APPROVED
A	MOVED HOLD DOWN TO 5.06 VS 5.48	7/20/99	JBT
B	ADDED SENSOR BLANK	4/26/02	JBT
C	RELOCATED TEMP SENSOR MTG, & RECEPTACLE	7/19/02	JBT
D	REVISED NOTES; UPDATED RATINGS PER TSO TEST; ADDED CG	10/11/10	JBT
E	REVISED COVER 9.89 WAS 9.80, 10.95 WAS 10.96	2/10/14	JBT



REFERENCE VIEW



ENVELOPE DRAWING

PART NUMBER	RG-407
MAXIMUM WEIGHT	62 LBS [28.2 KG]
RATED CAPACITY, C ₁	27 AH
POWER RATING AT 23°C	I _{pp} 1225 A, I _{pr} 900 A
POWER RATING AT -18°C	I _{pp} 1000 A, I _{pr} 825 A
POWER RATING AT -30°C	I _{pp} 800 A, I _{pr} 650 A

QTY REQD	CAGE CODE	PART OR IDENTIFYING NO.	NOMENCLATURE OR DESCRIPTION	MATERIAL SPECIFICATION	ITEM NO.
PARTS LIST					
UNLESS OTHERWISE SPECIFIED DIMENSIONS ARE IN INCHES TOLERANCES ARE:		CONTRACT NO.		CONCORDE BATTERY CORPORATION 2009 SAN BERNARDINO RD, W. COVINA, CA 91790	
FRACTIONS	DECIMALS	ANGLES	APPROVALS	DATE	TITLE
± 1/32	.XX ± .06 ± 1'		DRAWN PRECIADO M.	9/4/98	BATTERY, VRSLA, 24 VOLT
	.XXX ± .030		CHECKED AMIII	9/29/98	
TREATMENT	NONE	APPROVED	GH	5/6/99	SIZE C
FINISH	NONE	ISSUED	BJ	2/12/14	CAGE CODE 63017
SIMILAR TO	ACT WT	CALC WT			DWG NO. RG-407
					REV E
					SCALE NONE
					SHEET 1 OF 1