

NOTES: UNLESS OTHERWISE SPECIFIED

1. MANUFACTURED AND INSPECTED IAW AS9100 QUALITY SYSTEM REQUIREMENTS.
2. ABBREVIATION USED IN TITLE IS: VALVE REGULATED SEALED LEAD ACID (VRSLA).
3. SEE DRAWING NO. CB-00261 AND PROCEDURE P-1000 FOR ASSEMBLY AND TEST INSTRUCTION. PROCEDURES AND ASSEMBLY DRAWINGS ARE FOR INTERNAL USE ONLY.

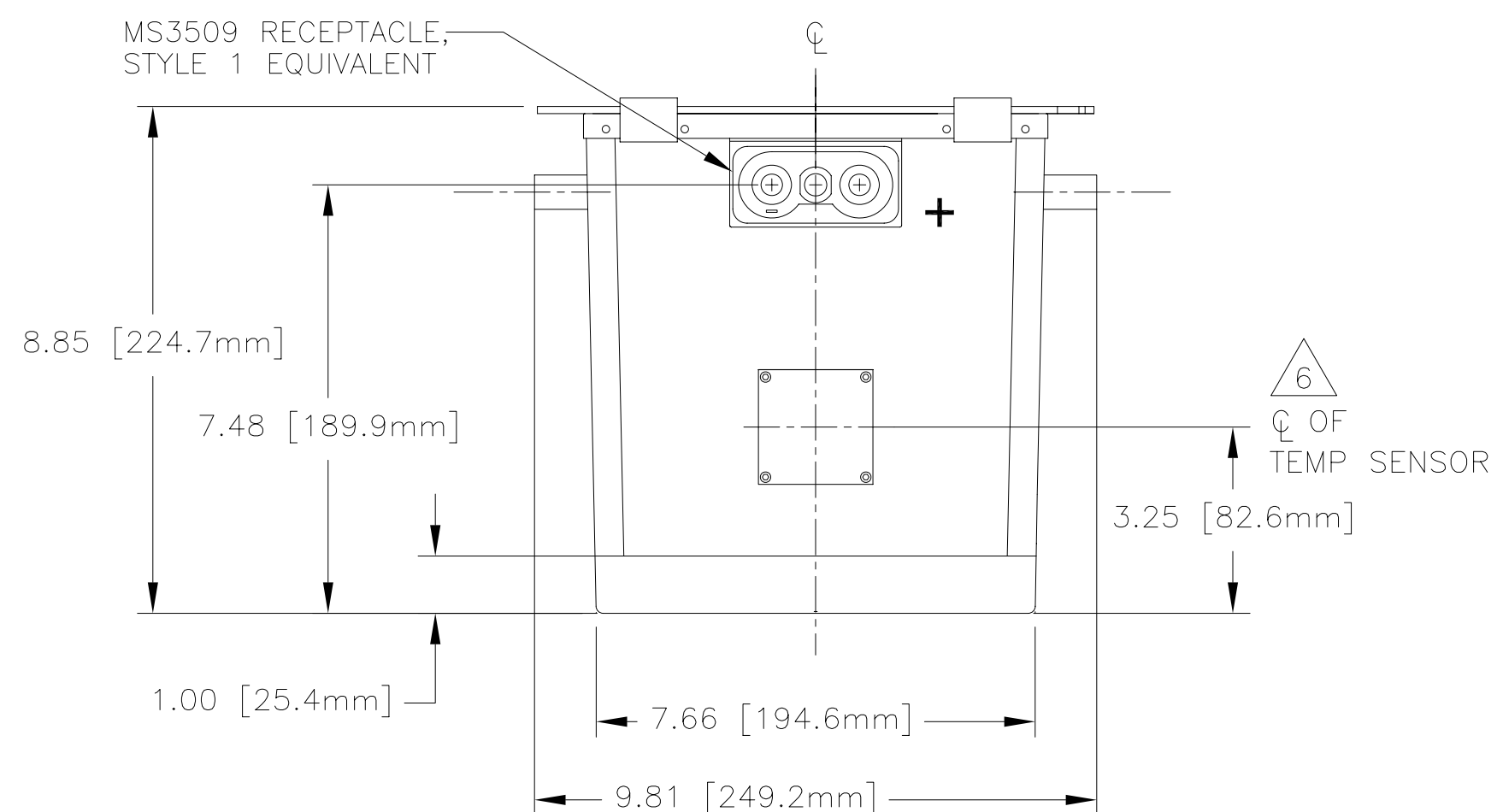
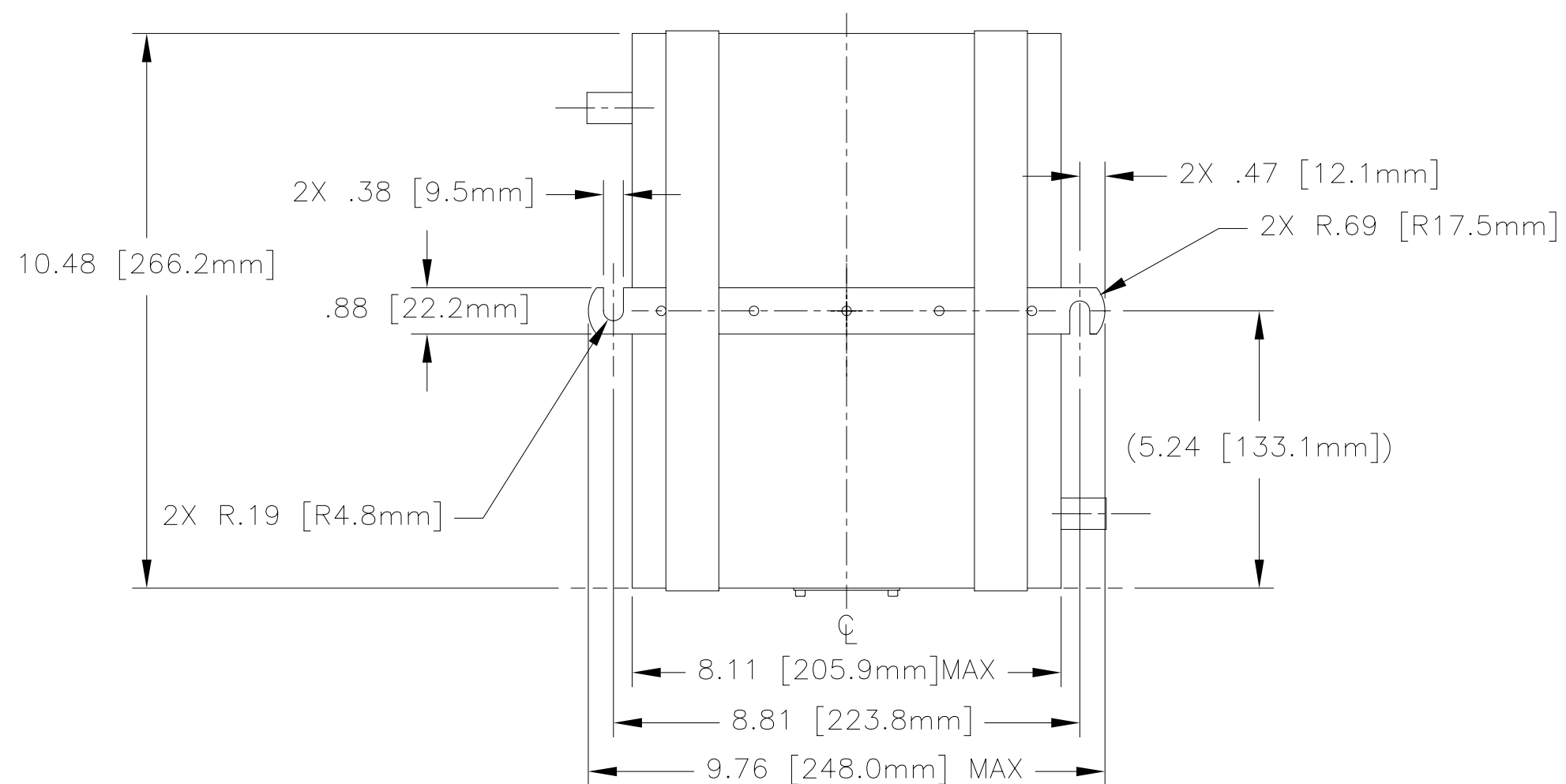
4. BATTERIES ARE RATED IAW INTERNATIONAL ELECTROTECHNICAL COMMISSION STANDARD 60952-1 AND RTCA STANDARD DO-293, UNLESS OTHERWISE NOTED.

5 "L" SUFFIX DENOTES A FIRE RESISTANT EXTERNAL CONTAINER CONSTRUCTED OF 5052 ALUMINUM ALLOY.  
 "LS" SUFFIX DENOTES A FIRE PROOF EXTERNAL CONTAINER CONSTRUCTED OF STAINLESS STEEL.

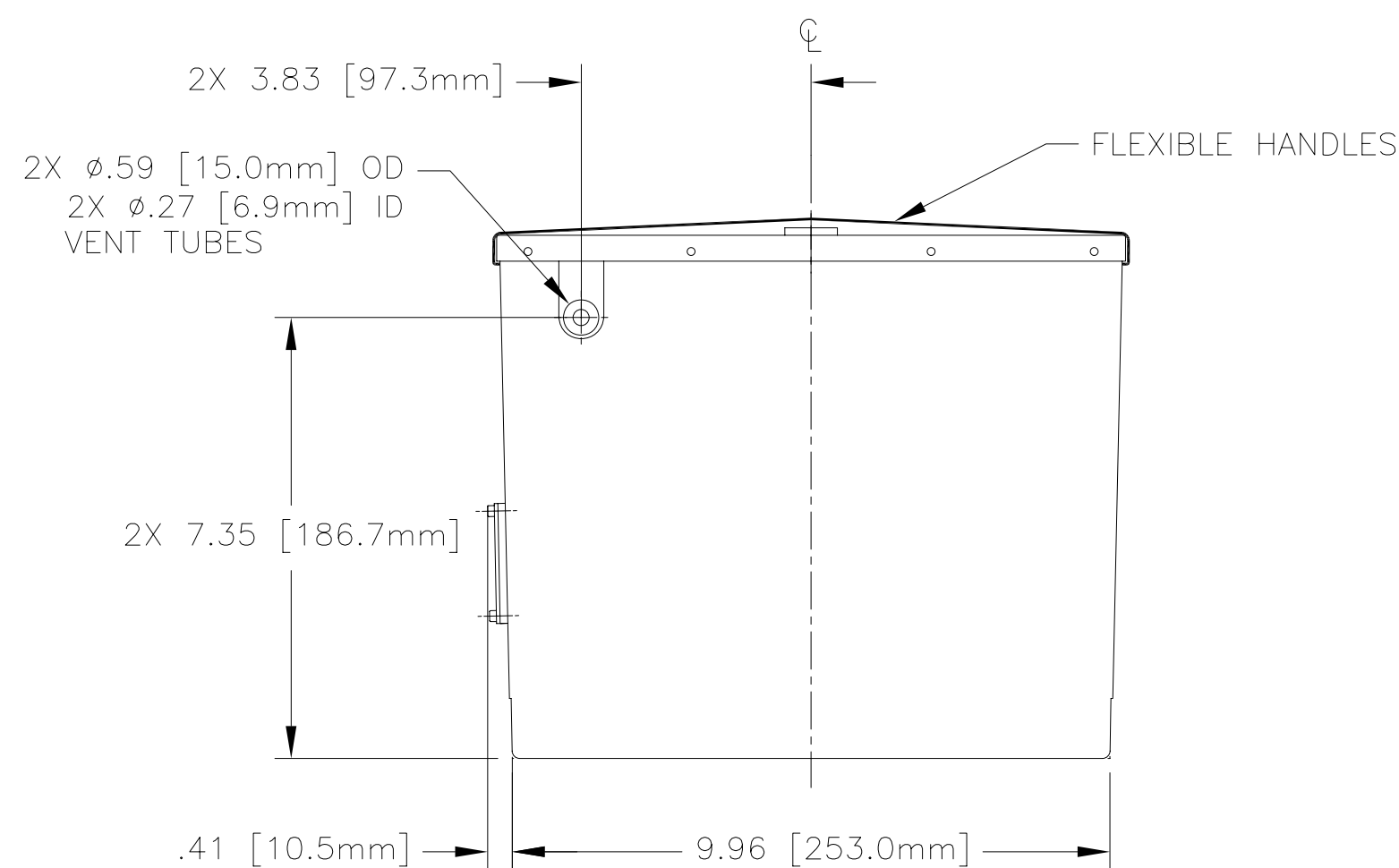
6 BATTERY MAY BE FITTED WITH TS-XX SERIES TEMP SENSOR.

7. DIMENSIONS ARE INCH[MM].

REVISIONS			
REV	DESCRIPTION	DATE	APPROVED
A	REVISED OUTER CONTAINER UPDATED NOTES, REV TITLE	2/25/02	JBT
B	REVISED NOTE 5, UPDATED RATINGS PER TSO TEST	10/30/08	JBT
C	REVISED NOTES	11/6/12	JBT



PART NUMBER	5	RG-390E/L	RG-390E/LS
MAXIMUM WEIGHT		62 LBS [28.1 KG]	64 LBS [29.0 KG]
RATED CAPACITY, C <sub>1</sub>		28 AH	
POWER RATING AT 23°C		Ipp 1350 A, Ipr 950 A	
POWER RATING AT -18°C		Ipp 1025 A, Ipr 800 A	
POWER RATING AT -30°C		Ipp 800 A, Ipr 600 A	



ENVELOPE DRAWING

QTY REQD	CAGE CODE	PART OR IDENTIFYING NO.	NOMENCLATURE OR DESCRIPTION	MATERIAL SPECIFICATION	ITEM NO.
PARTS LIST					
UNLESS OTHERWISE SPECIFIED DIMENSIONS ARE IN INCHES TOLERANCES ARE:			CONCORDE BATTERY CORPORATION 2009 SAN BERNARDINO RD, W. COVINA, CA 91790		
FRACTIONS	DECIMALS	ANGLES	APPROVALS	DATE	TITLE
± 1/32	.XX ± .06 ± 1'		DRAWN HRF	2/8/01	BATTERY, VRSLA, 24 VOLT RG-390E/L(S) SERIES
	.XXX ± .030		CHECKED S. VALDEZ	2/21/01	SIZE C
TREATMENT	NONE		APPROVED JBT	2/21/01	CAGE CODE 63017
FINISH	NONE		ISSUED BT	11/6/12	DWG NO. RG-390E/L
SIMILAR TO	ACT WT	CALC WT			REV C
					SCALE NONE
					SHEET 1 OF 1