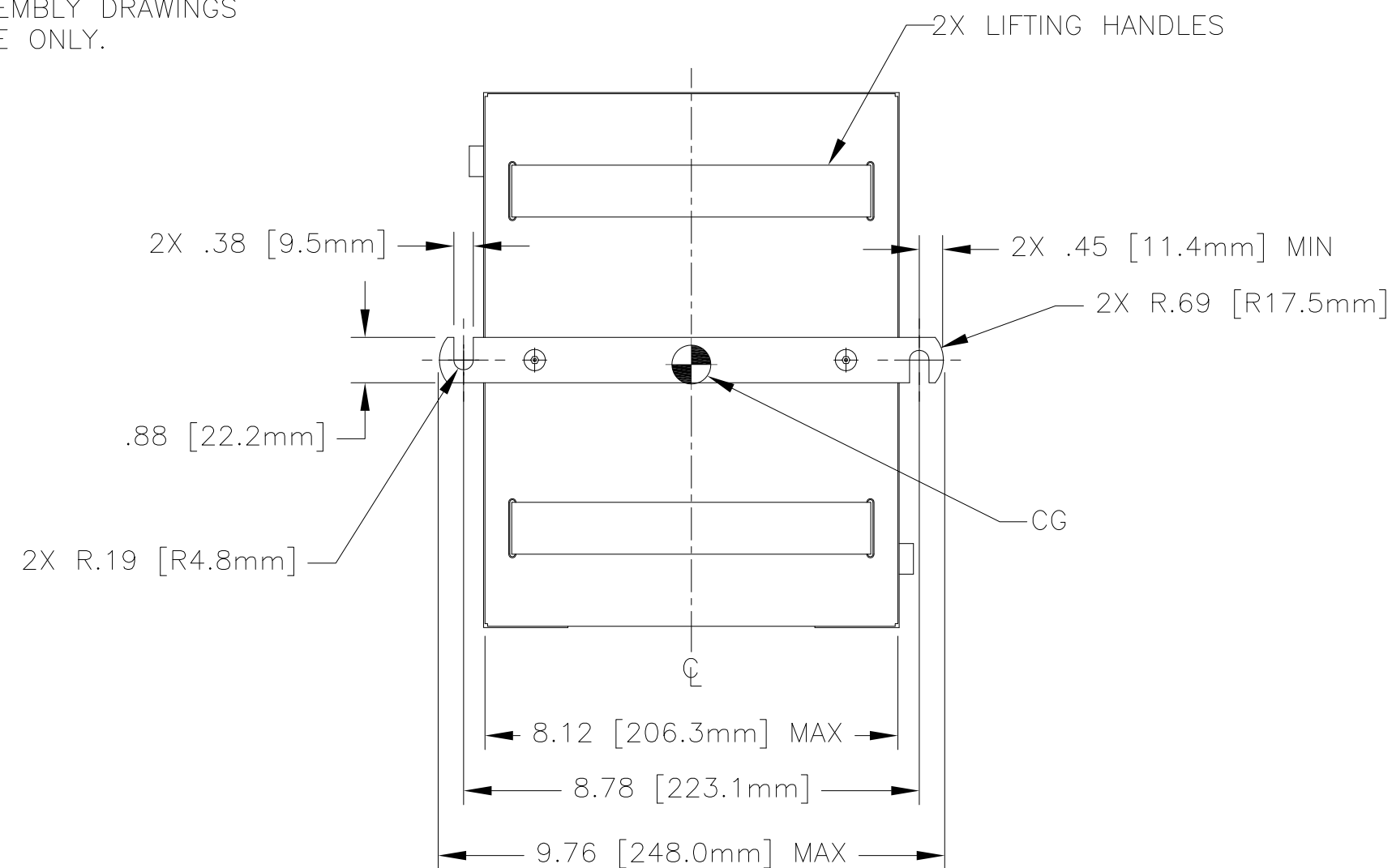


NOTES: UNLESS OTHERWISE SPECIFIED

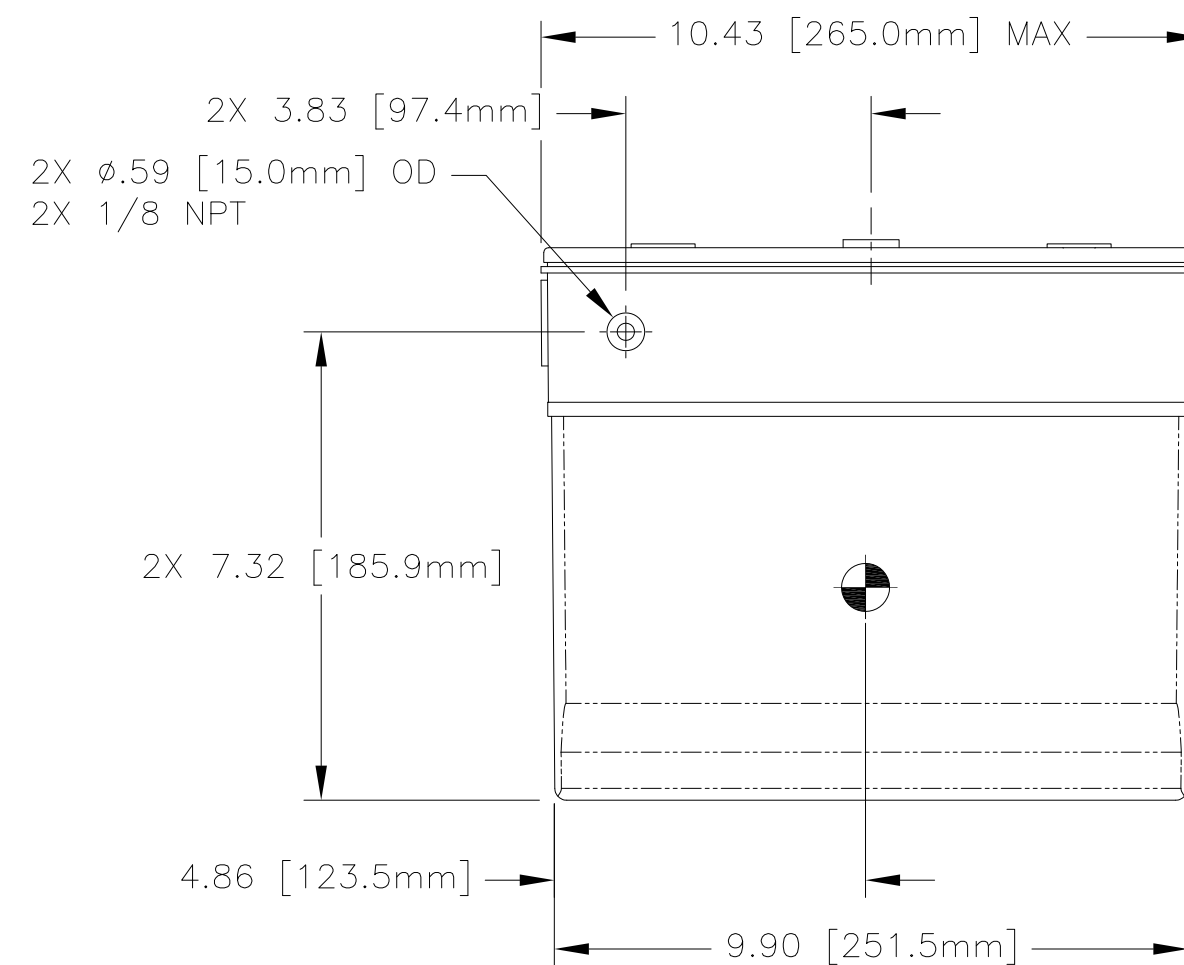
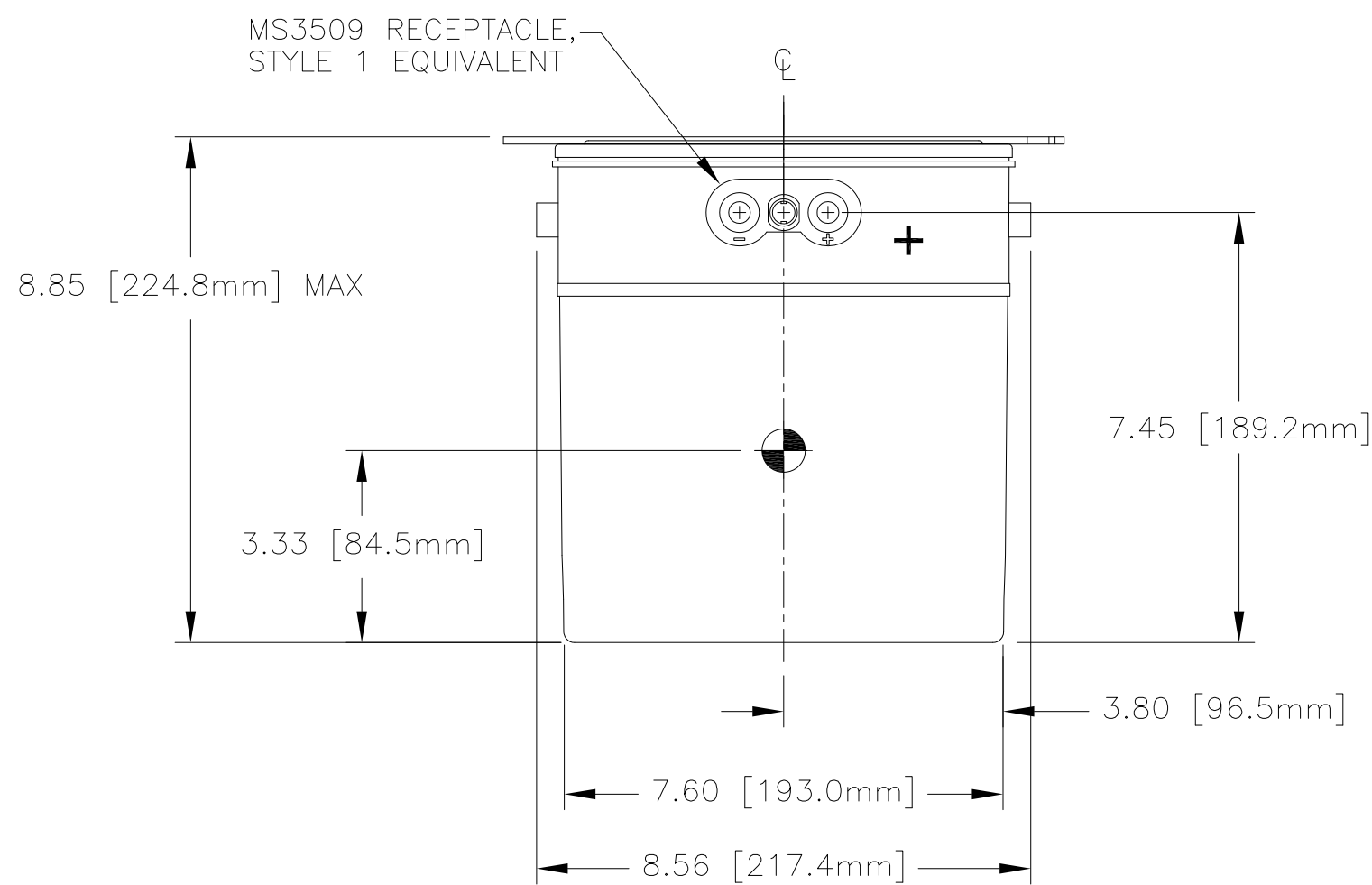
1. MANUFACTURED AND INSPECTED IAW AS9100 QUALITY SYSTEM REQUIREMENTS.
2. ABBREVIATION USED IN TITLE IS: VALVE REGULATED SEALED LEAD ACID (VRSLA).
3. SEE DRAWING NO. CB-00331 AND PROCEDURE P-1000 FOR ASSEMBLY AND TEST INSTRUCTION. PROCEDURES AND ASSEMBLY DRAWINGS ARE FOR INTERNAL USE ONLY.

4. BATTERIES ARE RATED IAW INTERNATIONAL ELECTROTECHNICAL COMMISSION STANDARD 60952-1 AND RTCA STANDARD DO-293A, UNLESS OTHERWISE NOTED.
5. DIMENSIONS ARE INCH [MILLIMETER].

REVISIONS			
REV	DESCRIPTION	DATE	APPROVED



PART NUMBER	RG-390E/30S
MAXIMUM WEIGHT	63 LBS [28.6 KG]
RATED CAPACITY, C ₁	30 AH
POWER RATING AT 23°C	Ipp 1525 A, Ipr 1100 A
POWER RATING AT -18°C	Ipp 1100 A, Ipr 800 A
POWER RATING AT -30°C	Ipp 875 A, Ipr 600 A



ENVELOPE DRAWING

QTY REQD	CAGE CODE	PART OR IDENTIFYING NO.	NOMENCLATURE OR DESCRIPTION	MATERIAL SPECIFICATION	ITEM NO.
PARTS LIST					
UNLESS OTHERWISE SPECIFIED DIMENSIONS ARE IN INCHES TOLERANCES ARE:			CONTRACT NO.		
FRACTIONS DECIMALS ANGLES			CONCORDE BATTERY CORPORATION		
± 1/32 .XX ± .06 ± 1'			2009 SAN BERNARDINO RD, W. COVINA, CA 91790		
.XXX ± .030			TITLE		
TREATMENT NONE			BATTERY, VRSLA, 24 VOLT		
FINISH NONE			SIZE CAGE CODE DWG NO. REV		
SIMILAR TO			C 63017 RG-390E/30S		
ACT WT CALC WT			SCALE NONE SHEET 1 OF 1		