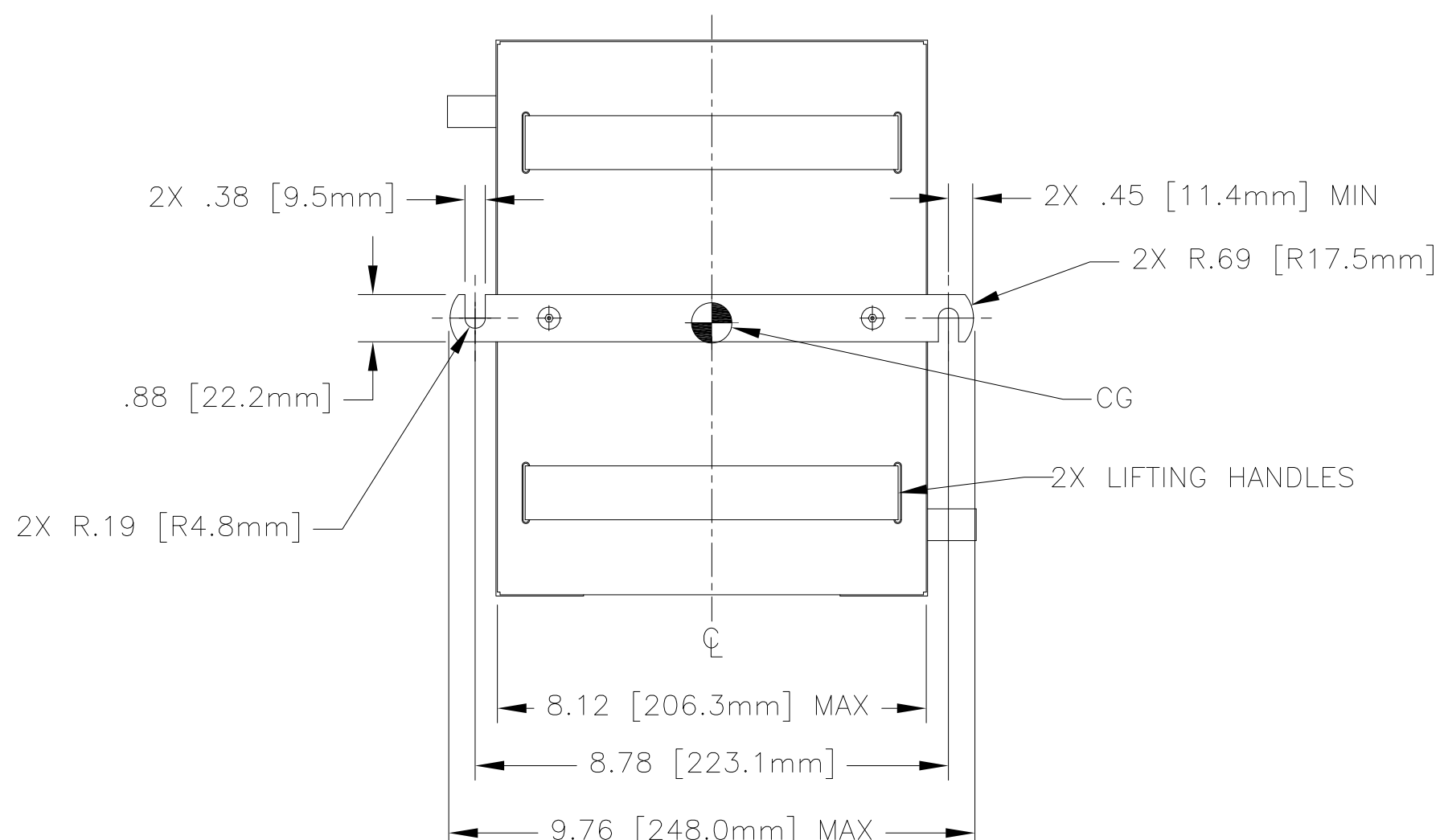


NOTES: UNLESS OTHERWISE SPECIFIED

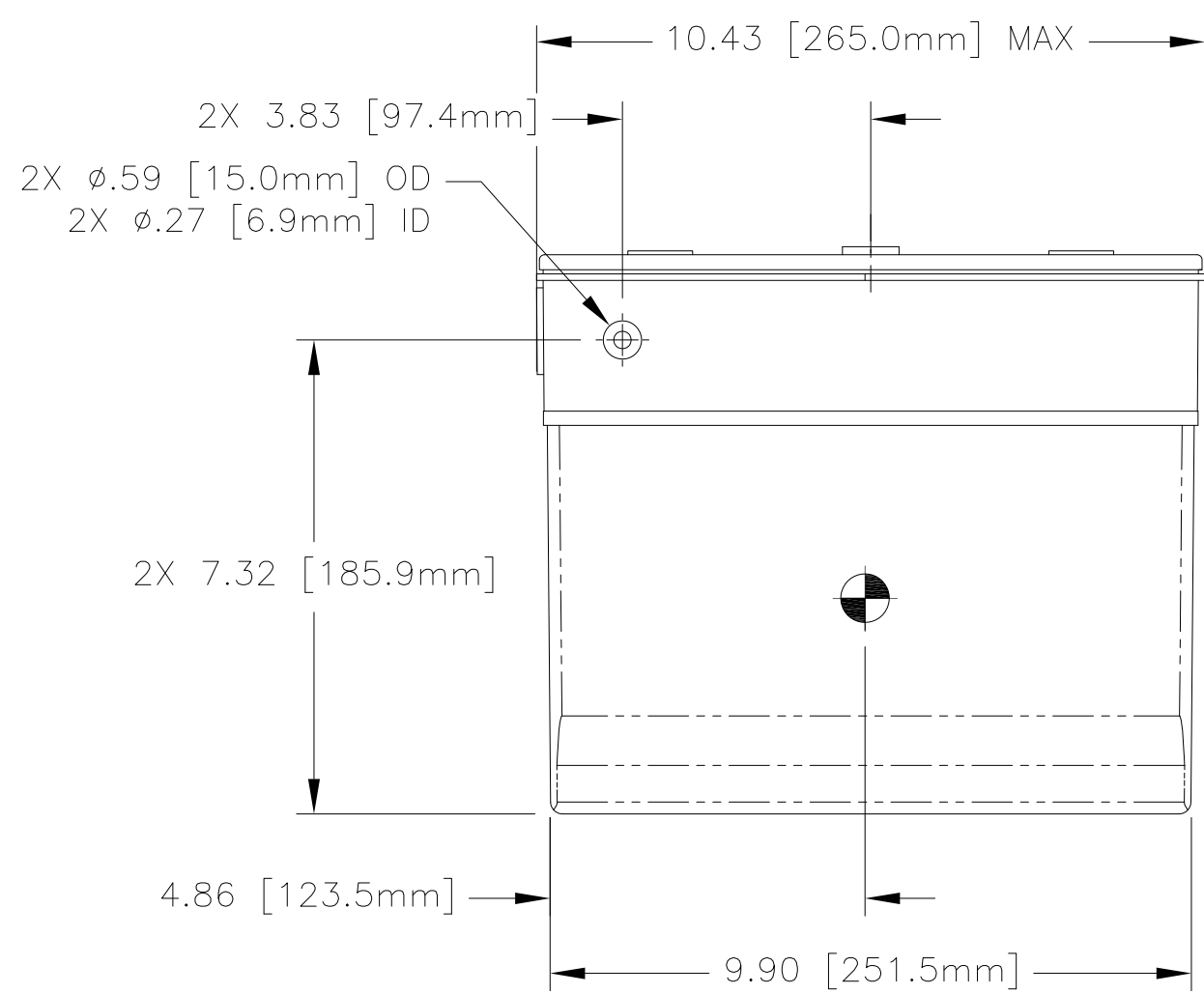
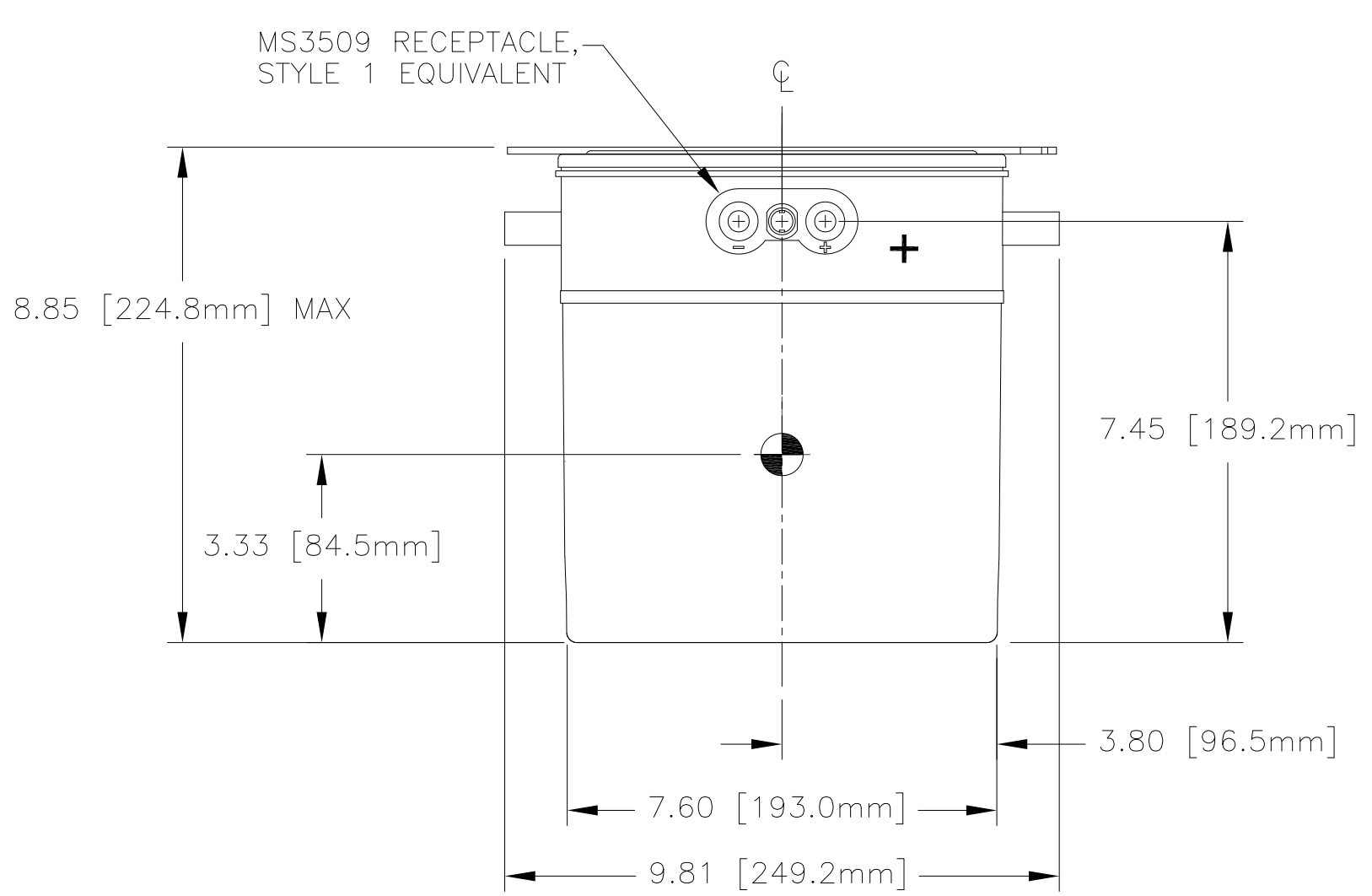
1. MANUFACTURED AND INSPECTED IAW AS9100 QUALITY SYSTEM REQUIREMENTS.
2. ABBREVIATION USED IN TITLE IS: VALVE REGULATED SEALED LEAD ACID (VRSLA).
3. SEE DRAWING NO. CB-00331 AND PROCEDURE P-1000 FOR ASSEMBLY AND TEST INSTRUCTION. PRODUCTION INSTRUCTIONS AND ASSEMBLY DRAWINGS ARE FOR INTERNAL USE ONLY.

4. BATTERIES ARE RATED IAW INTERNATIONAL ELECTROTECHNICAL COMMISSION STANDARD 60952-1 AND RTCA STANDARD DO-293, UNLESS OTHERWISE NOTED.

REVISIONS			
REV	DESCRIPTION	DATE	APPROVED
A	REVISED COVER, ADDED LIFTING HANDLES	5/8/14	JBT



PART NUMBER	RG-390E/25
MAXIMUM WEIGHT	53 LBS [24.0 KG]
RATED CAPACITY, C ₁	25 AH
POWER RATING AT 23°C	Ipp 1000 A, Ipr 650 A
POWER RATING AT -18°C	Ipp 750 A, Ipr 600 A
POWER RATING AT -30°C	Ipp 550 A, Ipr 450 A



ENVELOPE DRAWING

QTY REQD	CAGE CODE	PART OR IDENTIFYING NO.	NOMENCLATURE OR DESCRIPTION	MATERIAL SPECIFICATION	ITEM NO.
PARTS LIST					
UNLESS OTHERWISE SPECIFIED DIMENSIONS ARE IN INCHES TOLERANCES ARE: FRACTIONS DECIMALS ANGLES ± 1/32 .XX ± .06 ± 1' .XXX ± .030			CONCORDE BATTERY CORPORATION 2009 SAN BERNARDINO RD, W. COVINA, CA 91790		
TREATMENT		CONTRACT NO.		TITLE	
FINISH		APPROVALS		DATE	
SIMILAR TO		DRAWN		DATE	
ACT WT		CHECKED		DATE	
CALC WT		APPROVED		DATE	
		ISSUED		DATE	
		BJ		5/9/14	
		AMIII		1/18/11	
		JBT		1/18/11	
		BJ		5/9/14	
SIZE	CAGE CODE	DWG NO.	REV		
C	63017	RG-390E/25	A		
SCALE	NONE	SHEET		1 OF 1	