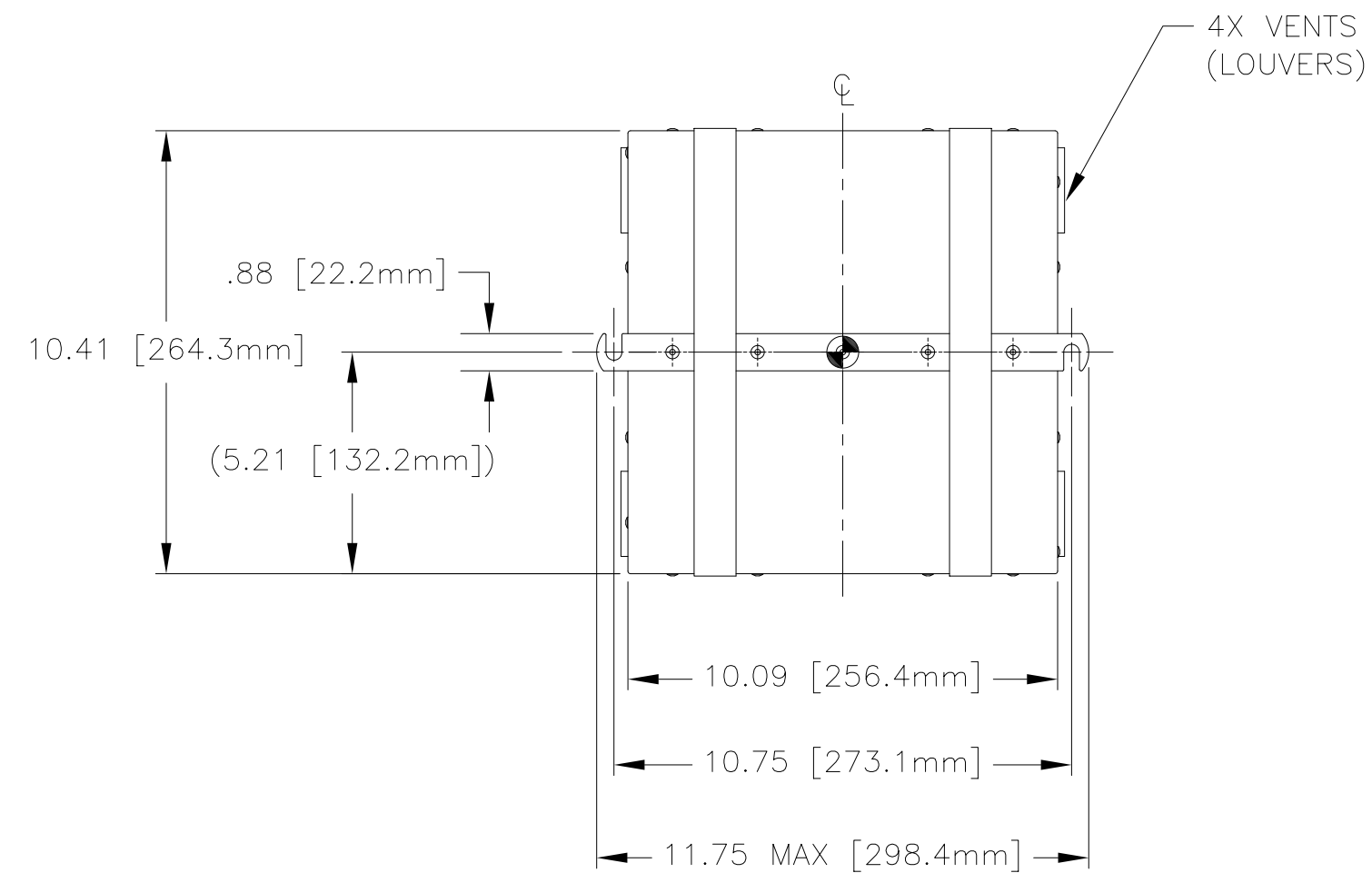


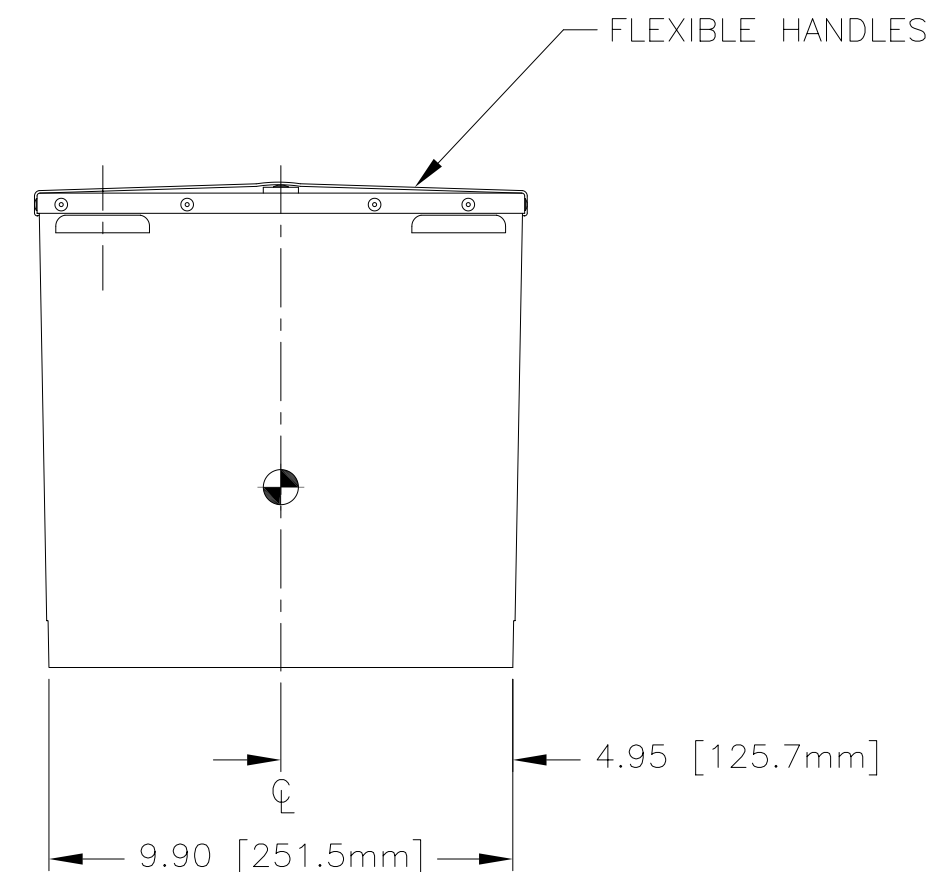
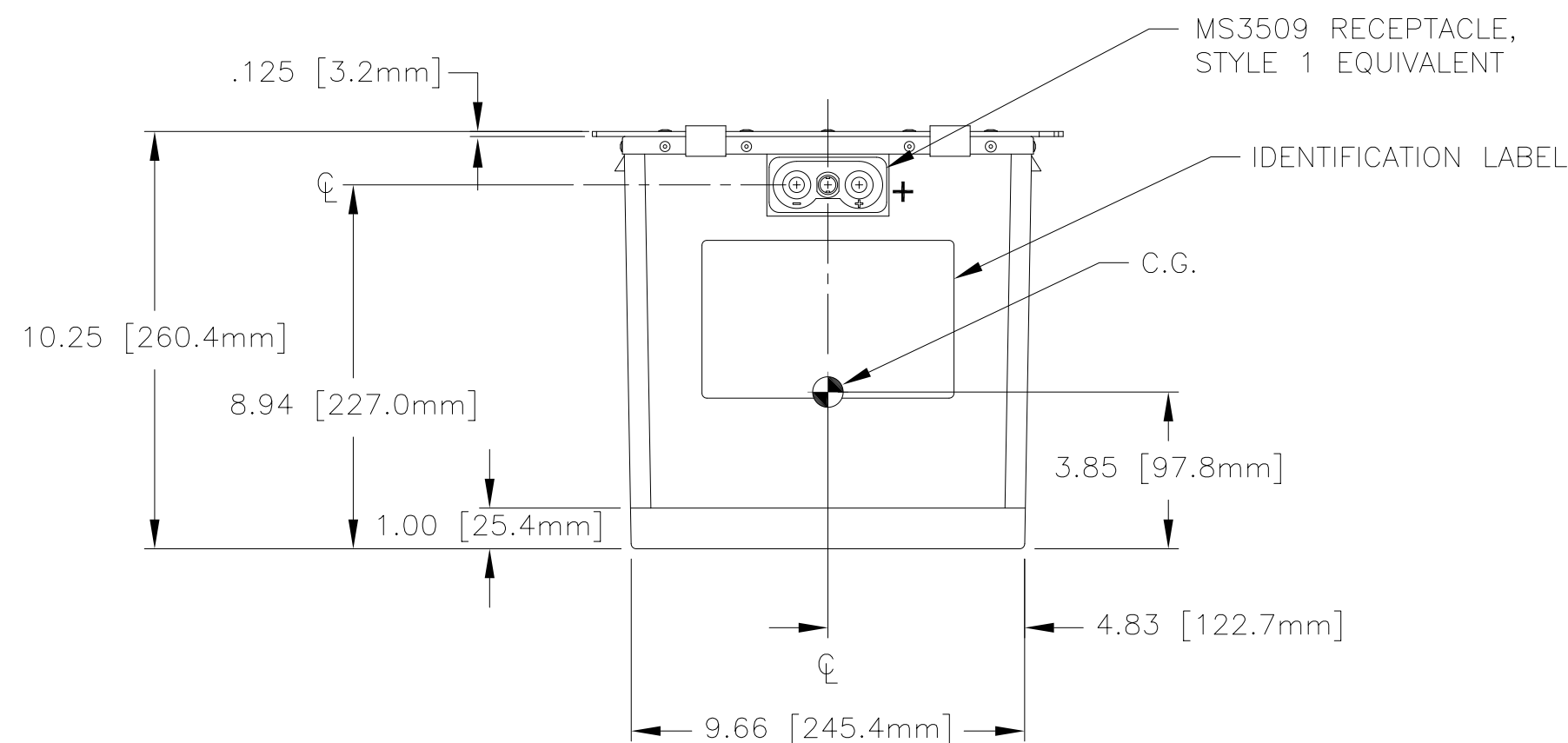
NOTES: UNLESS OTHERWISE SPECIFIED

REVISIONS			
REV	DESCRIPTION	DATE	APPROVED

- ABBREVIATION USED IN TITLE IS: VALVE REGULATED SEALED LEAD ACID (VRSLA).
- BATTERY CONFORMS TO THE DESIGN REQUIREMENTS OF 14 CFR PARTS 23.1353, 25.1353(c), 27.1353, 29.1353(c).
- MANUFACTURED AND INSPECTED IAW AS9100 QUALITY SYSTEM REQUIREMENTS.
- "K" SUFFIX DENOTES A "FIRE RESISTANT" EXTERNAL CONTAINER CONSTRUCTED OF 5052 ALUMINUM ALLOY. "KS" SUFFIX DENOTES A "FIRE PROOF" EXTERNAL CONTAINER CONSTRUCTED OF STAINLESS STEEL.
- SEE DRAWING NUMBER CB-00218 AND PROCEDURE P-1000 FOR ASSEMBLY AND TEST INSTRUCTIONS. PROCEDURES AND ASSEMBLY DRAWINGS ARE FOR INTERNAL USE ONLY.
- BATTERIES ARE RATED IAW INTERNATIONAL ELECTROTECHNICAL COMMISSION STANDARD 60952-1 AND RTCA STANDARD DO-293, UNLESS OTHERWISE NOTED.
- DIMENSIONS ARE IN INCH [MILLIMETER].



PART NUMBER	RG-380E/60K	RG-380E/60KS
MAXIMUM WEIGHT	96 LBS [43.6 KG]	98 LBS [44.5 KG]
RATED CAPACITY, C ₁	48 AH	
POWER RATING AT 23°C	I _{pp} 1600 A, I _{pr} 1200 A	
POWER RATING AT -18°C	I _{pp} 1200 A, I _{pr} 950 A	
POWER RATING AT -30°C	I _{pp} 900 A, I _{pr} 700 A	



ENVELOPE DRAWING

QTY REQD	CAGE CODE	PART OR IDENTIFYING NO.	NOMENCLATURE OR DESCRIPTION	MATERIAL SPECIFICATION	ITEM NO.
PARTS LIST					
UNLESS OTHERWISE SPECIFIED DIMENSIONS ARE IN INCHES TOLERANCES ARE: FRACTIONS DECIMALS ANGLES ± 1/32 .xx ± .06 ± 1' .xxx ± .030			CONCORDE BATTERY CORPORATION 2009 SAN BERNARDINO RD, W. COVINA, CA 91790		
TREATMENT NONE			TITLE BATTERY, VRSLA, 24 VOLT, RG-380E/60K(S) SERIES		
FINISH NONE			SIZE C CAGE CODE 63017 DWG NO. RG-380E/60K REV		
SIMILAR TO			SCALE NONE SHEET 1 OF 1		
CONTRACT NO.		APPROVALS DATE			
DRAWN A. MISTRETTA		5/15/08			
CHECKED AMIII		3/18/09			
APPROVED JBT		3/19/09			
ISSUED NS		3/20/09			