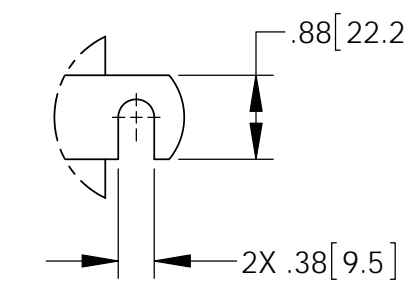
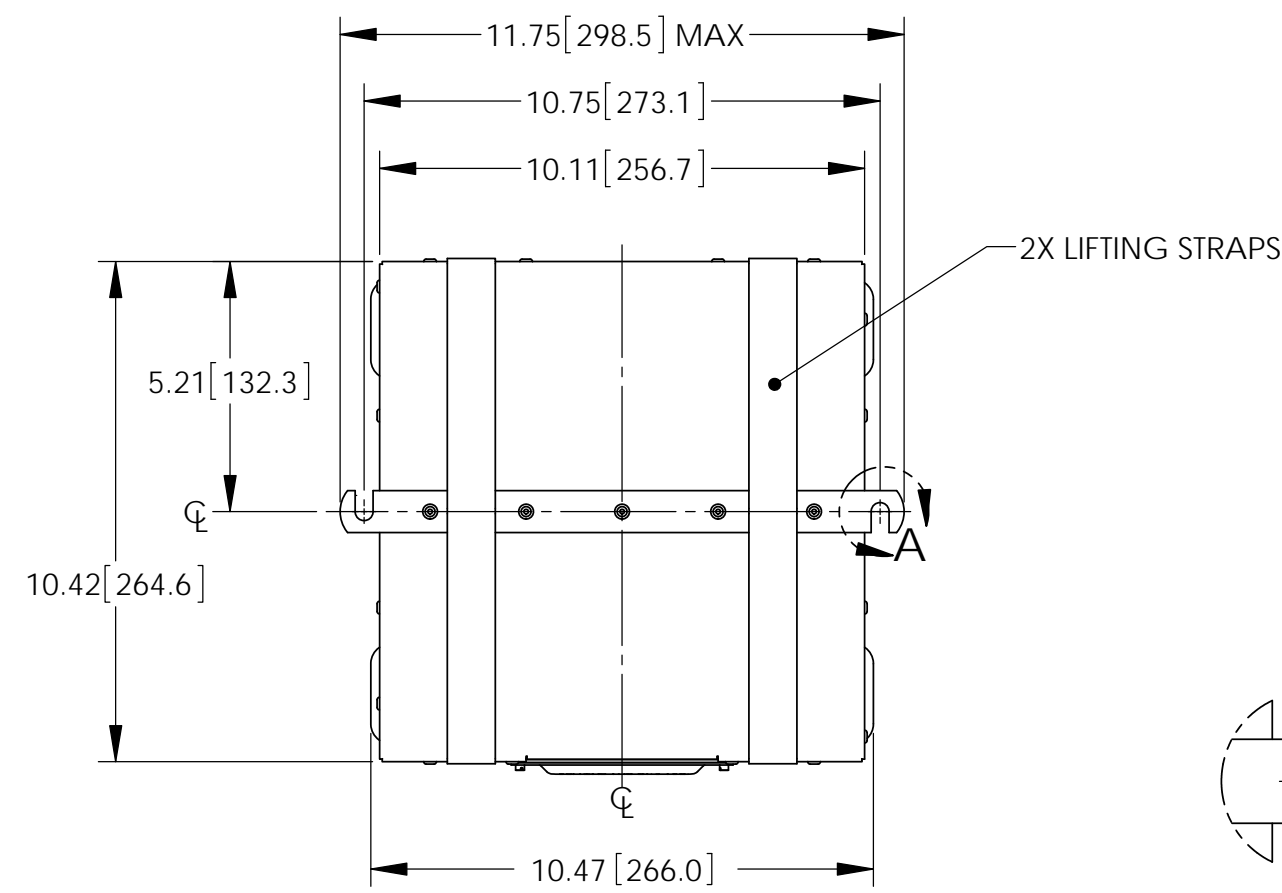


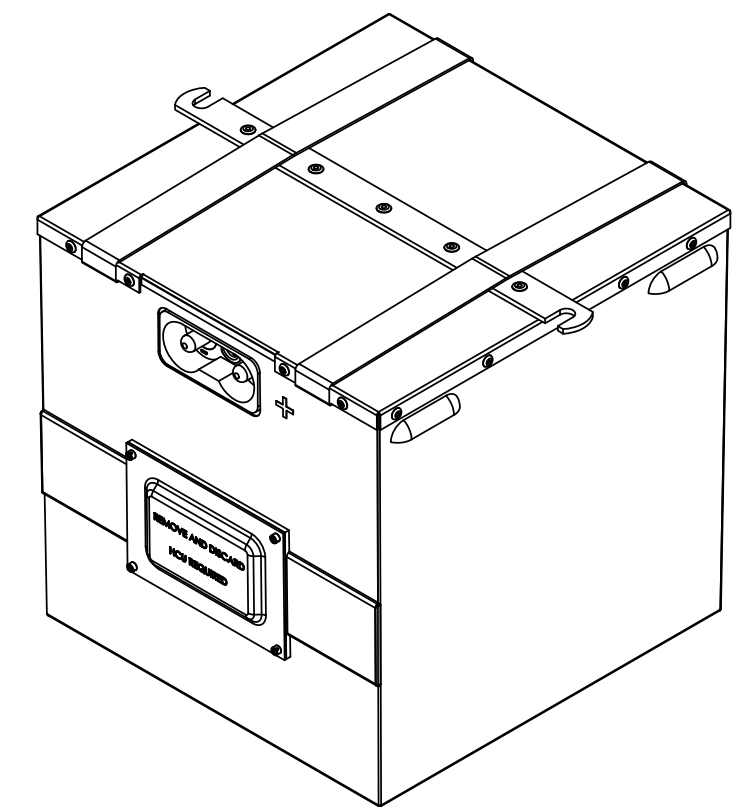
NOTES: UNLESS OTHERWISE SPECIFIED

1. MANUFACTURED AND INSPECTED IAW AS9100 QUALITY SYSTEM REQUIREMENTS.
2. ABBREVIATION USED IN TITLE IS: VALVE REGULATED SEALED LEAD ACID (VRSLA).
3. SEE DRAWING NO. CB-00414 AND PROCEDURE P-1000 FOR ASSEMBLY AND TEST INSTRUCTION. PROCEDURES AND ASSEMBLY DRAWINGS ARE FOR INTERNAL USE ONLY.
4. BATTERIES ARE RATED IAW INTERNATIONAL ELECTROTECHNICAL COMMISSION STANDARD 60952-1 AND RTCA STANDARD DO-293A, UNLESS OTHERWISE NOTED.
5. DIMENSIONS ARE INCH [MILLIMETER].
6. "KH" SUFFIX DENOTES A "FIRE RESISTANT" EXTERNAL CONTAINER CONSTRUCTED OF 5052 ALUMINUM ALLOY.  
"KSH" SUFFIX DENOTES A "FIRE PROOF" EXTERNAL CONTAINER CONSTRUCTED OF STAINLESS STEEL.
7. HEATER CONTROL UNIT (HCU) IS REQUIRED TO CONSTITUTE A COMPLETE BATTERY ASSEMBLY. REFER TO CONCORDE'S WEBSITE FOR AVAILABLE HCU'S. ONLY HCU'S SUPPLIED BY CONCORDE ARE PERMITTED.
8. CAUTION: DO NOT POWER AC AND DC HEATERS SIMULTANEOUSLY.
9. REFER TO DRAWING RG-380E/60K(S)H [ ] FOR ENVELOPE DRAWING WITH HCU INSTALLED.

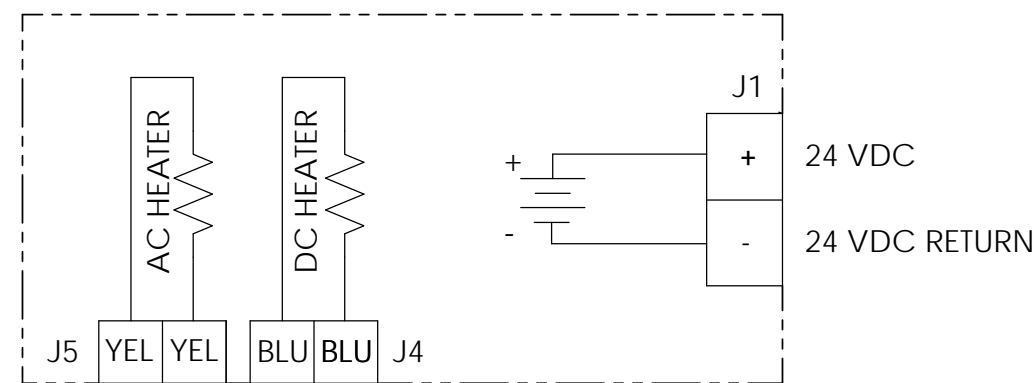
REVISIONS			
REV	DESCRIPTION	DATE	APPROVED
A	UPDATED VIEWS OF CONTAINER & COVER, DO-293A WAS DO-293, REVISED NOTE 9	6/16/16	PH



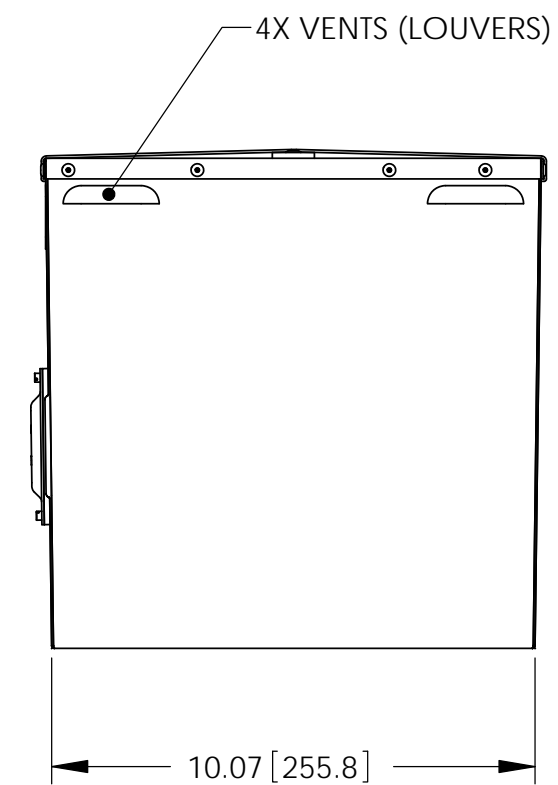
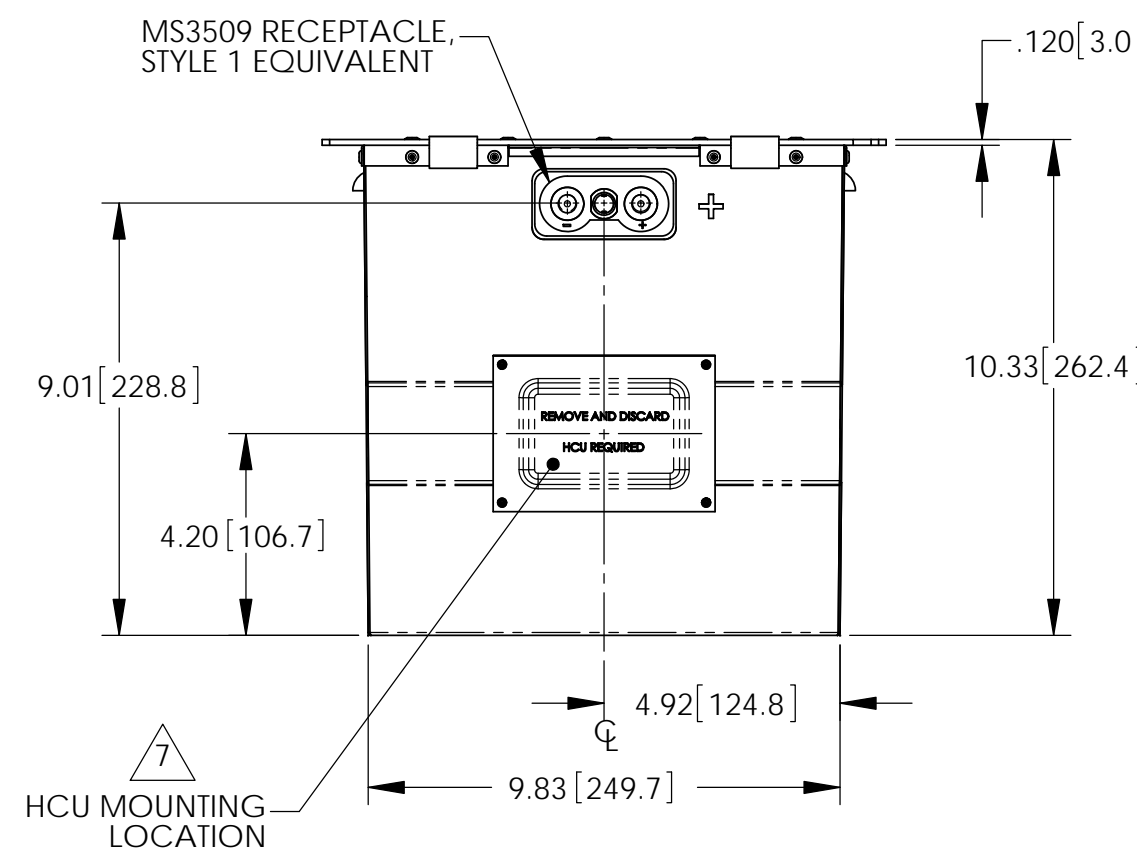
DETAIL A  
SCALE 1 : 2



ISOMETRIC VIEW



BATTERY SCHEMATIC



ENVELOPE DRAWING

PART NUMBER	RG-380E/60KH	RG-380E/60KSH
MAXIMUM WEIGHT	96 LBS [43.6 KG]	98 LBS [44.5 KG]
RATED CAPACITY, C <sub>1</sub>	48 AH	
POWER RATING AT 23°C	I <sub>pp</sub> 1600 A, I <sub>pr</sub> 1200 A	
POWER RATING AT -18°C	I <sub>pp</sub> 1200 A, I <sub>pr</sub> 950 A	
POWER RATING AT -30°C	I <sub>pp</sub> 900 A, I <sub>pr</sub> 700 A	
INTERNAL DC HEATER	8 10.62A @ 28.25 VDC	
INTERNAL AC HEATER	8 2.61A @ 115 VAC	

UNLESS OTHERWISE SPECIFIED DIMENSIONS ARE IN INCHES TOLERANCES ARE:			CONTRACT NO.		CONCORDE BATTERY CORPORATION 2009 SAN BERNARDINO RD, W. COVINA, CA 91790		
FRACTIONS	DECIMALS	ANGLES	APPROVALS	DATE	TITLE		
±1/32	.XX ± .06 XXX ± .030	±1°	R. MURRIETTA	4/25/11	BATTERY, VRSLA, 24 VOLT, RG-380E/60K(S)H		
TREATMENT	NONE	CHECKED	AMIII	6/13/11	SIZE	CAGE CODE	DWG NO.
FINISH	NONE	APPROVED	JBT	6/14/11	C	63017	RG-380E/60KH
SIMILAR TO	CALC W/T	ISSUED	JG	6/17/16	SCALE	1:4	REV A
					SHEET		1 OF 1