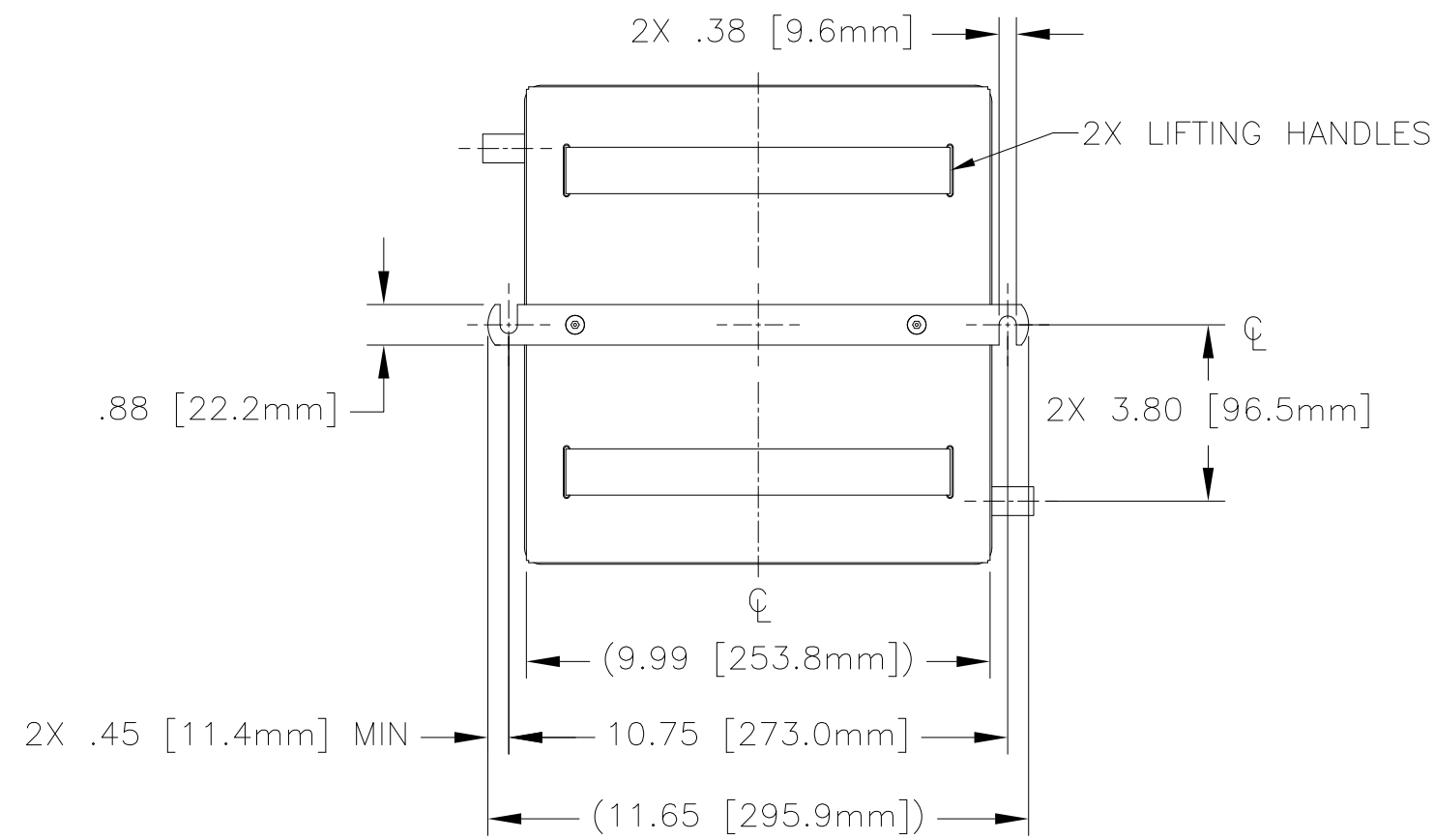


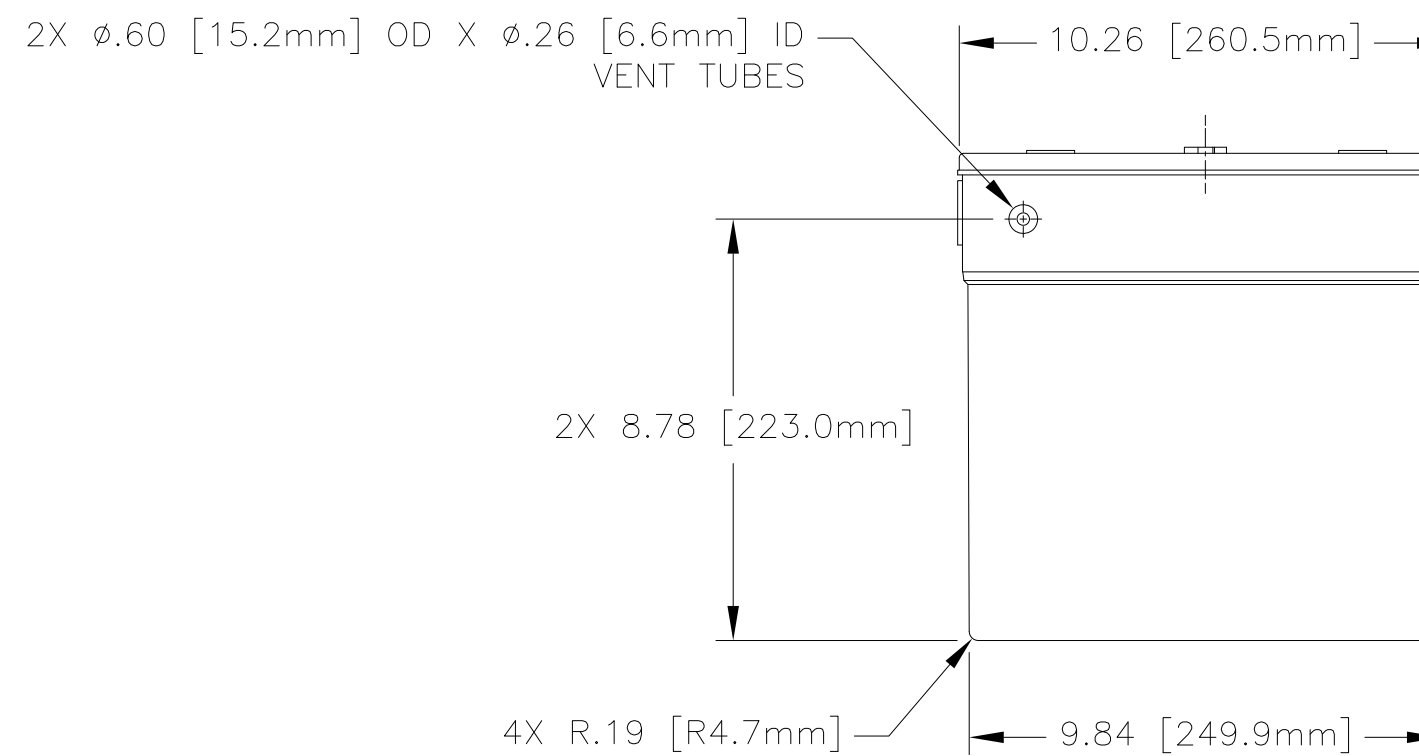
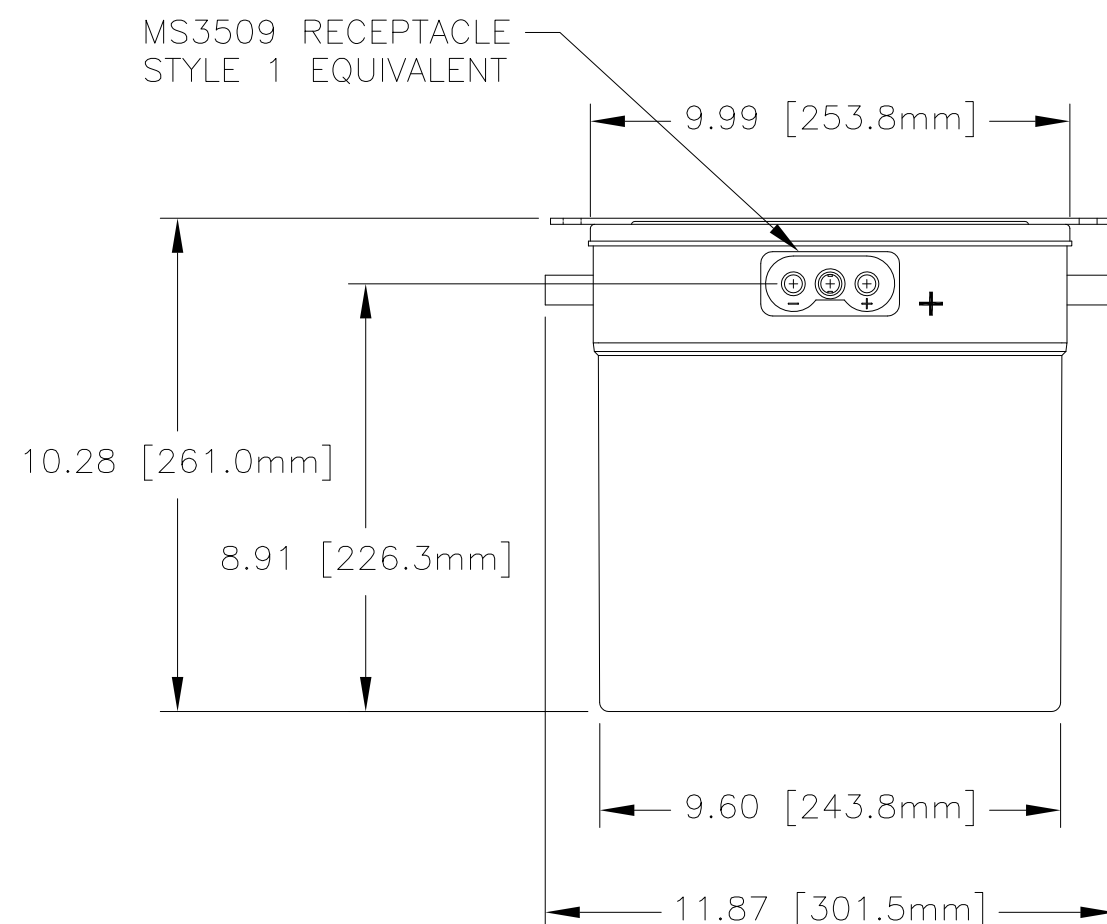
NOTES: UNLESS OTHERWISE SPECIFIED

1. MANUFACTURED AND INSPECTED IAW AS9100 QUALITY SYSTEM REQUIREMENTS.
2. DIMENSIONS ARE INCH [MILLIMETER].
3. ABBREVIATION USED IN TITLE IS: VALVE REGULATED SEALED LEAD ACID (VRSLA).
4. SEE DRAWING CB-00150 AND PROCEDURE P-1000 FOR ASSEMBLY AND TEST INSTRUCTION. PROCEDURES AND ASSEMBLY DRAWINGS ARE FOR INTERNAL USE ONLY.
5. BATTERIES ARE RATED IAW INTERNATIONAL ELECTROTECHNICAL COMMISSION STANDARD 60952-1 AND RTCA STANDARD DO-293, UNLESS OTHERWISE NOTED.

REVISIONS			
REV	DESCRIPTION	DATE	APPROVED
A	REVISED COVER, ADDED LIFTING HANDLES	5/8/14	JBT
B	ADDED FORMER PART NUMBER, UPDATED NOTES	1/16/15	JBT



PART NUMBER	RG-380E/44
FORMER PART NUMBER	RG-380E/40
MAXIMUM WEIGHT	86 LBS [39.0 KG]
RATED CAPACITY, C ₁	42 AH
POWER RATING AT 23°C	lpp 1350A, lpr 1000A
POWER RATING AT -18°C	lpp 875A, lpr 750A
POWER RATING AT -30°C	lpp 750A, lpr 600A



ENVELOPE DRAWING

QTY REQD	CAGE CODE	PART OR IDENTIFYING NO.	NOMENCLATURE OR DESCRIPTION	MATERIAL SPECIFICATION	ITEM NO.
PARTS LIST					
UNLESS OTHERWISE SPECIFIED DIMENSIONS ARE IN INCHES TOLERANCES ARE:			CONCORDE BATTERY CORPORATION 2009 SAN BERNARDINO RD, W. COVINA, CA 91790		
FRACTIONS	DECIMALS	ANGLES	APPROVALS	DATE	TITLE
	.XX ± .06		A. MISTRETTA	5/12/08	BATTERY, VRSLA, 24 VOLT, RG-380E/44
	.XXX ± .030		CHECKED	AMIII	5/12/08
TREATMENT	NONE		APPROVED	JBT	5/13/08
FINISH	NONE		ISSUED	BJ	1/16/15
SIMILAR TO	ACT WT	CALC WT	CONTRACT NO.	SIZE	CAGE CODE
				C	63017
				SCALE	DWG NO.
				1/4	RG-380E/44
					REV
					B
					SHEET
					1 OF 1