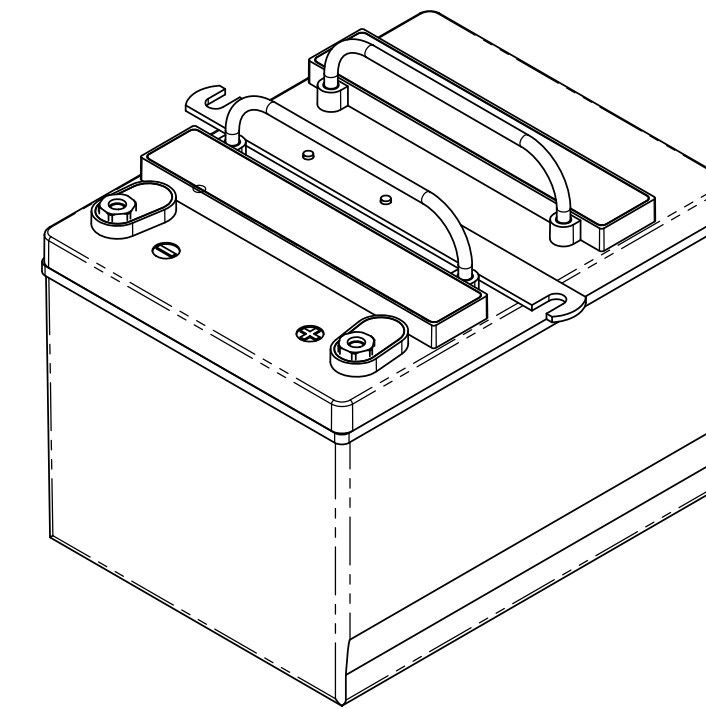
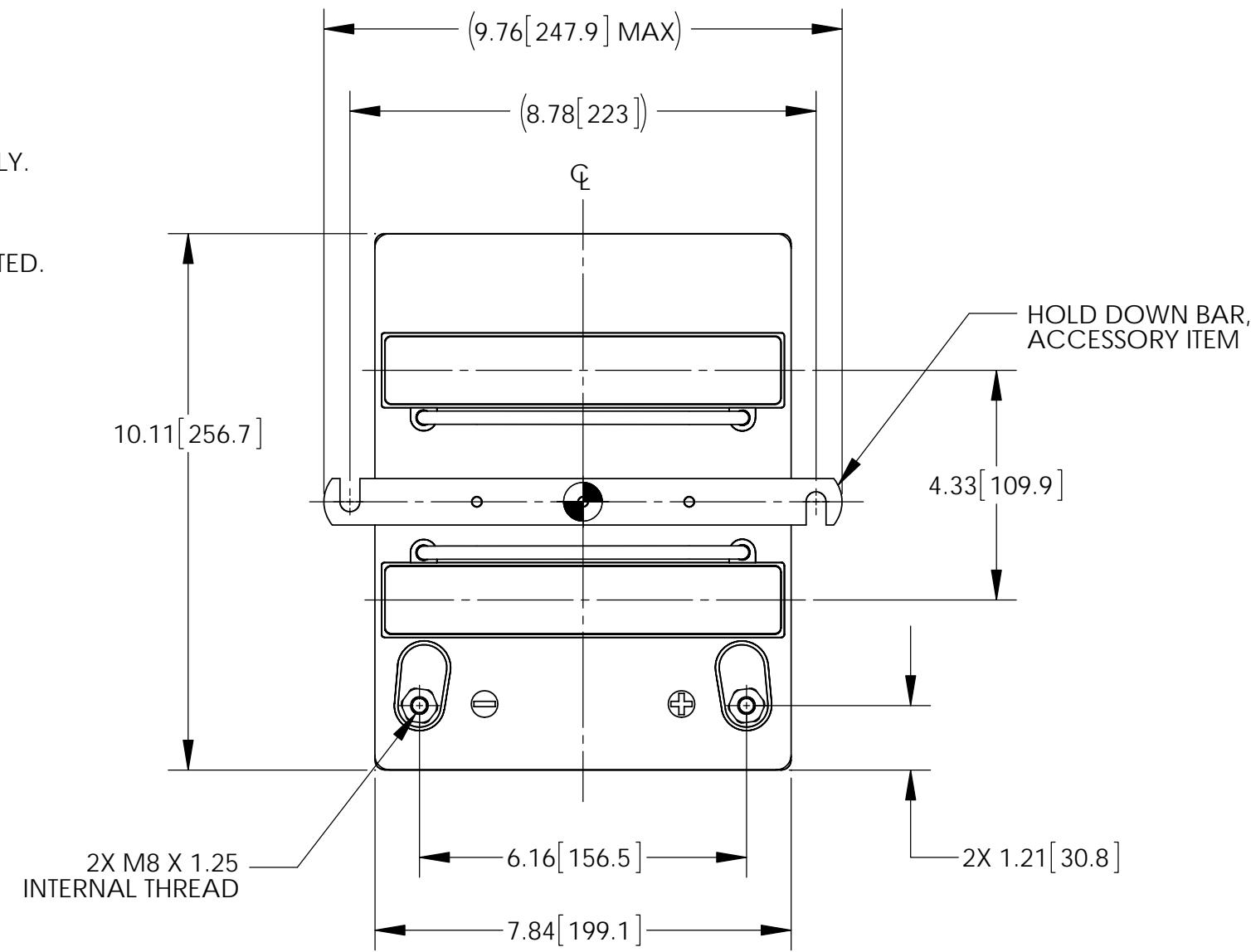


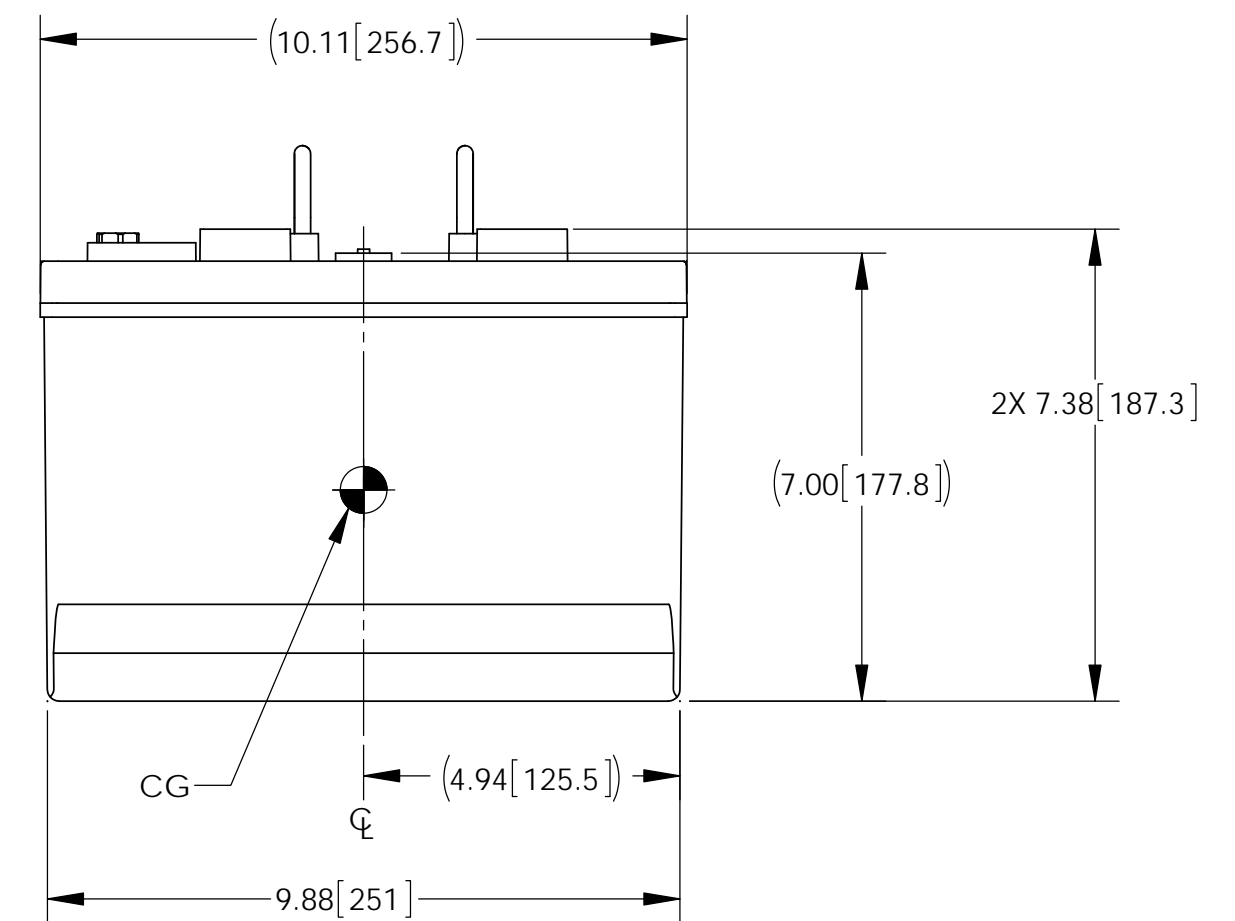
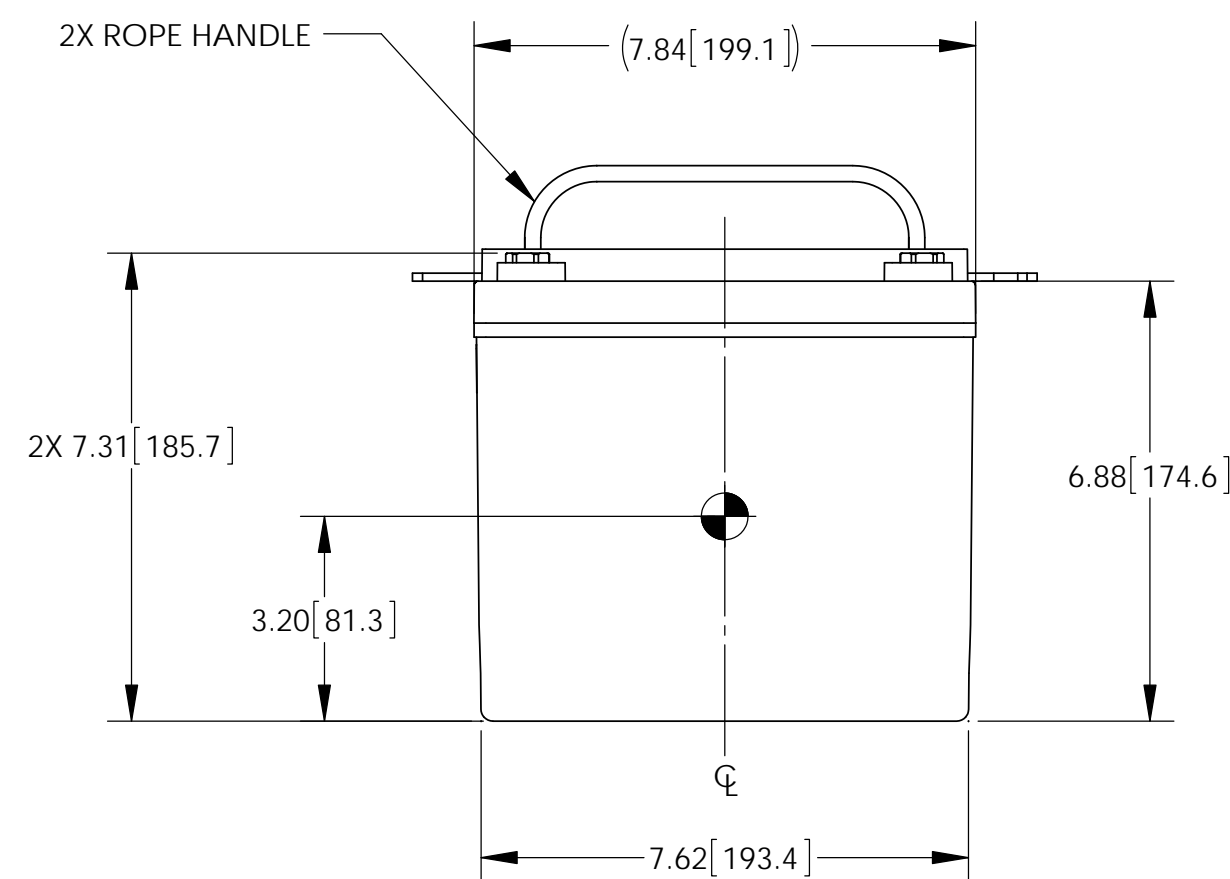
NOTES: UNLESS OTHERWISE SPECIFIED

1. MANUFACTURED AND INSPECTED IAW AS9100 QUALITY SYSTEM REQUIREMENTS.
2. ABBREVIATION USED IN TITLE IS: VALVE REGULATED SEALED LEAD ACID (VRSLA).
3. SEE DRAWING NO. CB-00429 AND PROCEDURE P-1000 FOR ASSEMBLY AND TEST INSTRUCTION. PROCEDURES AND ASSEMBLY DRAWINGS ARE FOR INTERNAL USE ONLY.
4. BATTERIES ARE RATED IAW INTERNATIONAL ELECTROTECHNICAL COMMISSION STANDARD 60952-1 AND RTCA STANDARD DO-293, UNLESS OTHERWISE NOTED.

REVISIONS			
REV	DESCRIPTION	DATE	APPROVED
A	6.16 WAS 6.03, REV NOTE 3	7/25/13	JBT



ISOMETRIC VIEW



ENVELOPE DRAWING

PART NUMBER	RG-325
MAXIMUM WEIGHT	52 LBS [23.6 KG]
RATED CAPACITY, C ₁	25 AH
POWER RATING AT 23 °C	I _{pp} 1000 A, I _{pr} 650 A
POWER RATING AT -18 °C	I _{pp} 750 A, I _{pr} 600 A
POWER RATING AT -30 °C	I _{pp} 550 A, I _{pr} 450 A

UNLESS OTHERWISE SPECIFIED DIMENSIONS ARE IN INCHES TOLERANCES ARE:			CONCORDE BATTERY CORPORATION 2009 SAN BERNARDINO RD, W. COVINA, CA 91790		
FRACTIONS	DECIMALS	ANGLES	TITLE		
± 1/32	.XX ± .06 XXX ± .030	± 1°	BATTERY, VRSLA, 24 VOLT		
TREATMENT	NONE	CHECKED	NS	DATE	2/7/11
FINISH	NONE	APPROVED	JBT	DATE	2/8/11
SIMILAR TO	CALC WT	ISSUED	BT	DATE	7/29/13
CONTRACT NO.			APPROVALS	DATE	
			R.MURRIETTA	1/24/11	
SIZE	CAGE CODE	DWG NO.	SCALE	1:3	
C	63017	RG-325			
SHEET 1 OF 1			REV A		