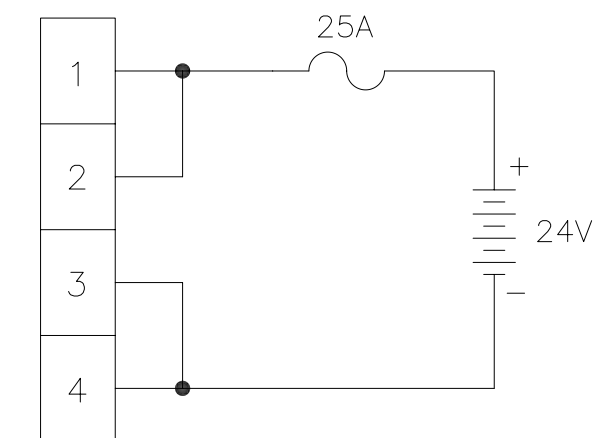
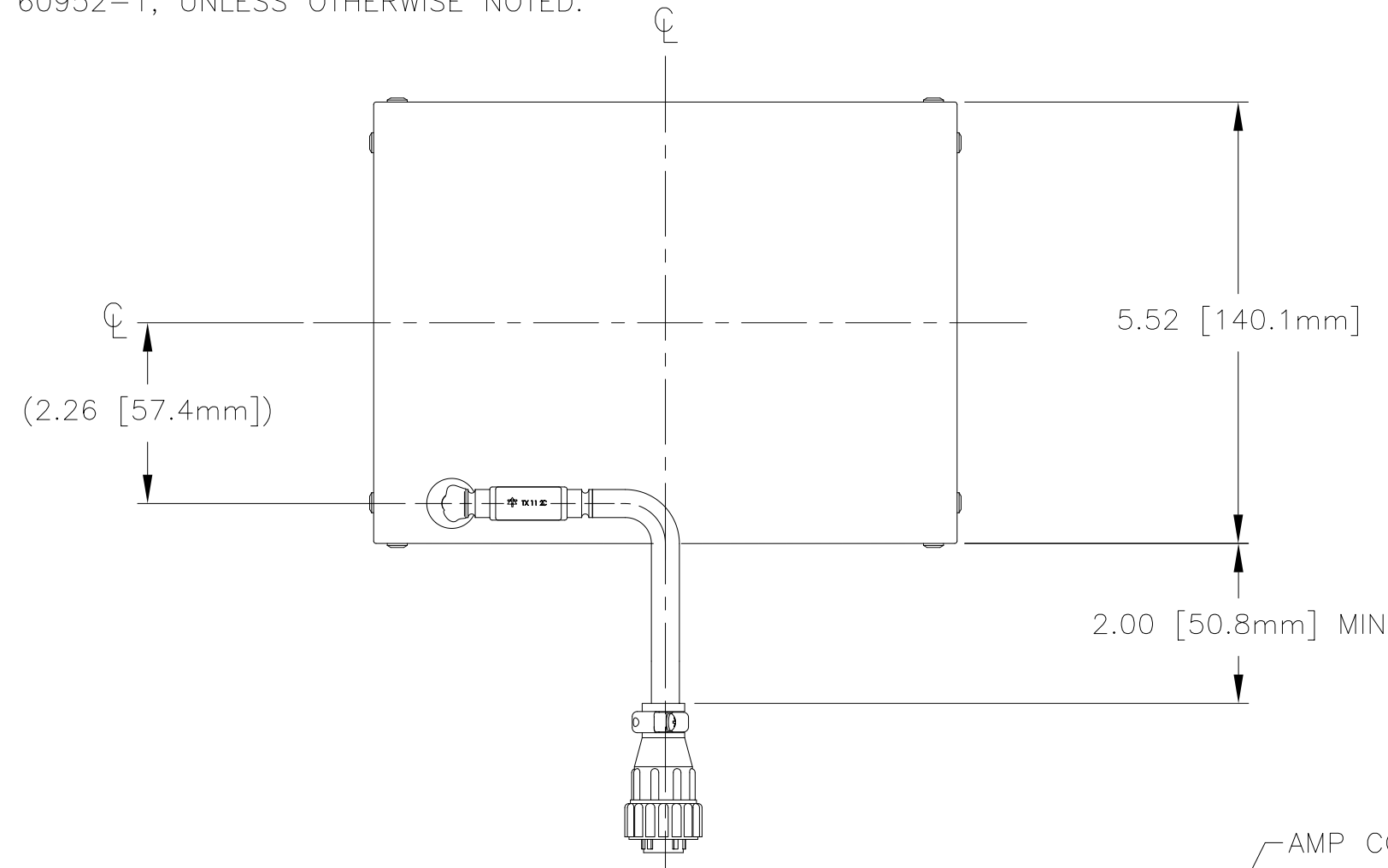


NOTES: UNLESS OTHERWISE SPECIFIED

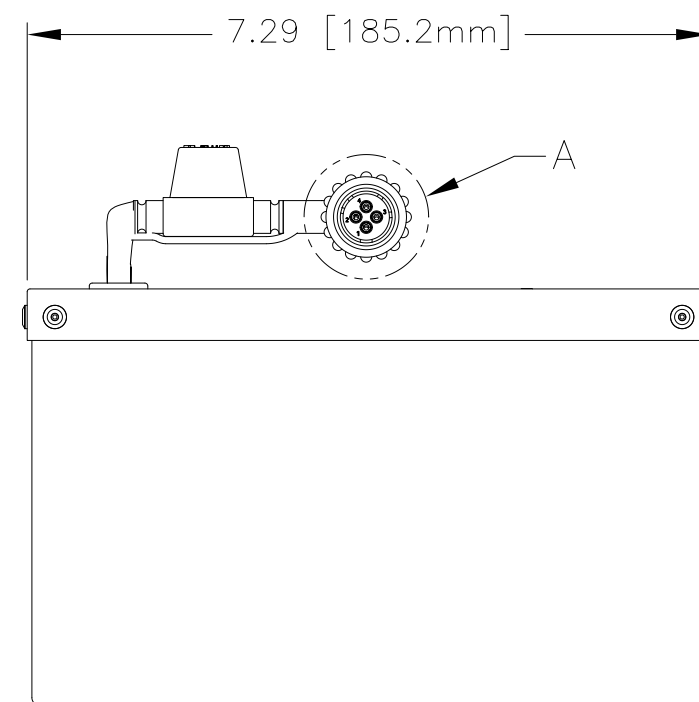
- BATTERY CONFORMS TO THE DESIGN REQUIREMENTS OF 14 CFR PART 23.1353, 25.1353(c), 27.1353 AND 29.1353(c).
- INSPECT PER FAR 21.303(h) QUALITY SYSTEM.
- ABBREVIATION USED IN TITLE IS: VALVE REGULATED SEALED LEAD ACID (VRSLA).
- SEE DRAWING NUMBER CB-00347 AND PROCEDURE P-1000 FOR ASSEMBLY AND TEST INSTRUCTION. PROCEDURES AND ASSEMBLY DRAWINGS ARE FOR INTERNAL USE ONLY.
- BATTERIES ARE RATED IAW INTERNATIONAL ELECTROTECHNICAL COMMISSION STANDARD 60952-1, UNLESS OTHERWISE NOTED.
- THIS BATTERY IS NOT RATED FOR "ENGINE STARTING - HIGH RATE PERFORMANCE".

REVISIONS			
REV	DESCRIPTION	DATE	APPROVED
A	UPDATED RATINGS PER TSO TESTS, WEIGHT WAS 14.1	8/17/07	JBT
B	ADDED SCHEMATIC	12/11/07	JBT

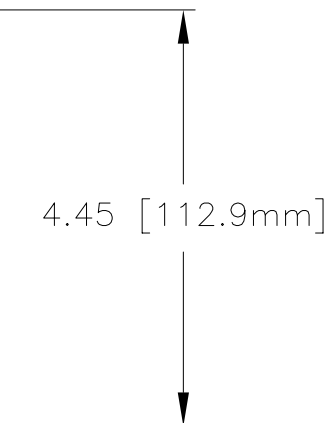
PART NUMBER	RG-132		
MAXIMUM WEIGHT	14.5 LBS [6.6 KG]		
RATED CAPACITY, C ₁	6.0 AH		
POWER RATING	NOT RATED		
TEST TEMPERATURE	@23°C (74°F)	@-18°C (0°F)	@-30°C (-22°F)
CAPACITY, 6.0 A	6.0 AH	4.0 AH	3.0 AH
RAPID DISCHARGE	NOT RATED DUE TO FUSE ON OUTPUT		



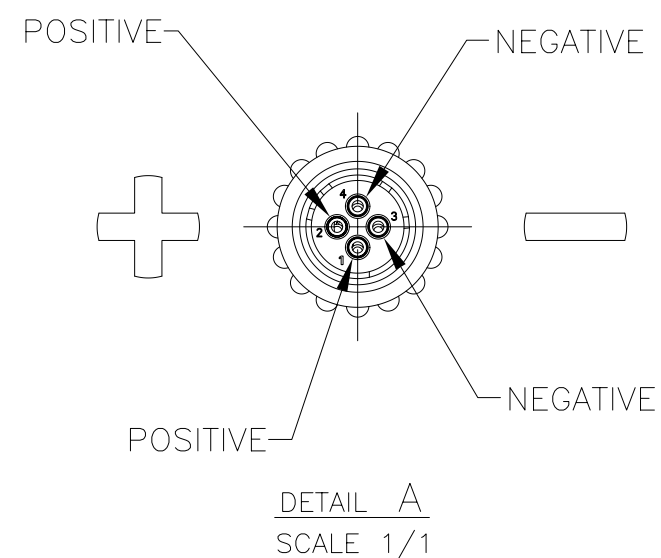
SCHEMATIC



AMP CONNECTOR



ENVELOPE DRAWING



QTY REQD	CAGE CODE	PART OR IDENTIFYING NO.	NOMENCLATURE OR DESCRIPTION	MATERIAL SPECIFICATION	ITEM NO.
PARTS LIST					
UNLESS OTHERWISE SPECIFIED DIMENSIONS ARE IN INCHES TOLERANCES ARE: FRACTIONS DECIMALS ANGLES .XX ± .06 .XXX ± .030			CONCORDE BATTERY CORPORATION 209 SAN BERNARDINO RD, W. COVINA, CA 91790		
TREATMENT NONE		APPROVALS		TITLE	
FINISH NONE		DRAWN D. AYALA		BATTERY, VRSLA, 24 VOLT	
SIMILAR TO		CHECKED AMIII		DATE 11/15/05	
ACT WT		APPROVED JBT		DATE 5/22/07	
CALC WT		ISSUED NS		DATE 12/12/07	
		CAGE CODE 63017		DWG NO. RG-132	
		SCALE 1/2		REV B	
		SHEET 1 OF 1			