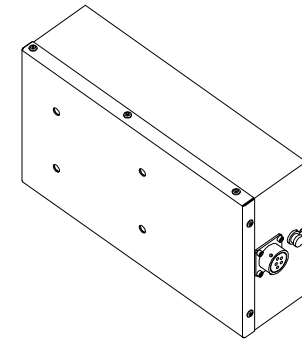
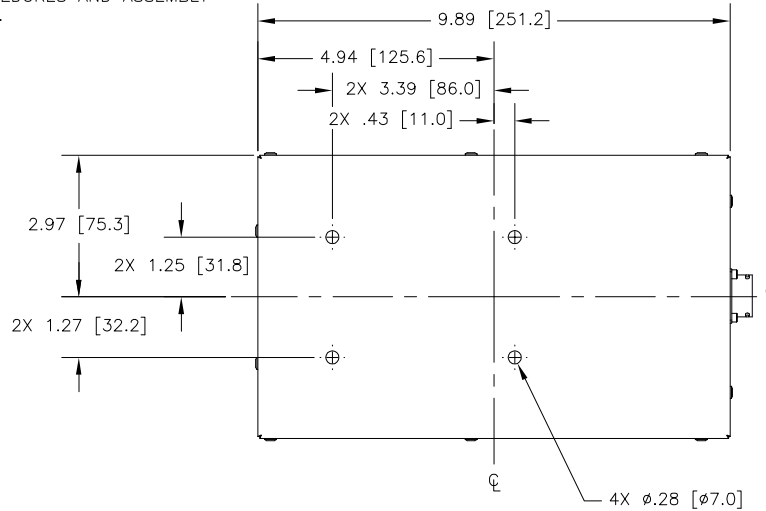
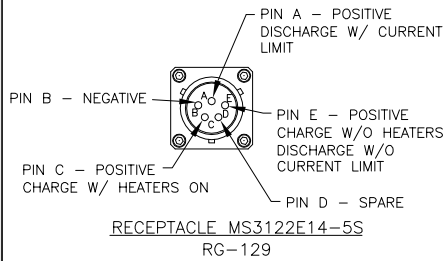


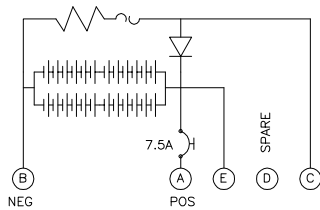
NOTES: UNLESS OTHERWISE SPECIFIED

- BATTERY CONFORMS TO THE DESIGN REQUIREMENTS OF 14 CFR PARTS 23.1353, 25.1353(e), 27.1353, 29.1353(c).
- INSPECT PER FAR 21.303(h) QUALITY SYSTEM.
- ABBREVIATION USED IN TITLE IS: VALVE REGULATED SEALED LEAD ACID (VRSLA).
- ALL DIMENSIONS ARE IN INCHES [MM].
- SEE DRAWING NO. CB-00328 AND PROCEDURE P-1000 FOR ASSEMBLY AND TEST INSTRUCTION. PROCEDURES AND ASSEMBLY DRAWINGS ARE FOR INTERNAL USE ONLY.
- BATTERIES ARE RATED IAW INTERNATIONAL ELECTROTECHNICAL COMMISSION STANDARD 60952-1, UNLESS OTHERWISE NOTED.
- THIS BATTERY IS NOT RATED FOR "ENGINE STARTING - HIGH RATE PERFORMANCE".

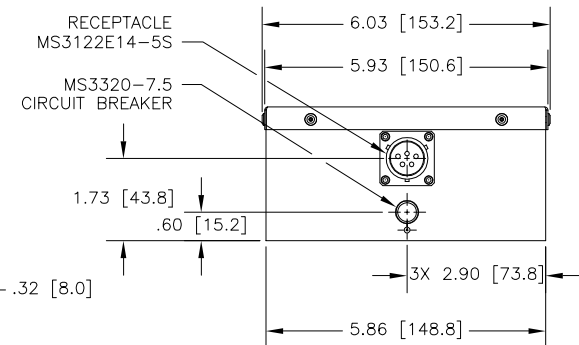
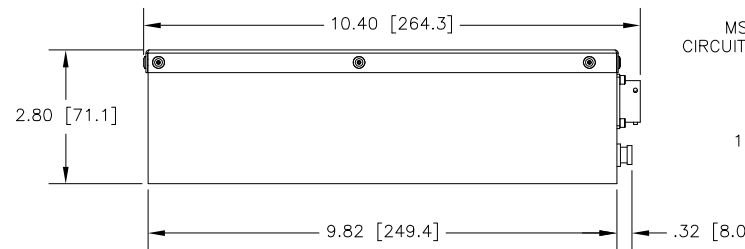
REVISIONS			
REV	DESCRIPTION	DATE	APPROVED
A	UPDATED RATINGS PER TSO TEST	1/21/08	JBT
B	UPDATED PINOUT DETAIL	7/17/08	JBT



REFERENCE VIEW



SCHEMATIC  
 RG-129



ENVELOPE DRAWING

CAPACITY RATINGS CHART			
PART NUMBER	RG-129		
MAXIMUM WEIGHT	11.2 LBS [5.1 KG]		
RATED CAPACITY, C <sub>1</sub>	3.8 AH		
POWER RATING	NOT RATED		
TEST TEMPERATURE	@23°C (74°F)	@-18°C (0°F)	@-30°C (-22°F)
CAPACITY, 3.8 A	3.8 AH	2.5 AH	2.0 AH
RAPID DISCHARGE, 10C <sub>1</sub>	NOT RATED	NOT RATED	NOT RATED
INTERNAL HEATERS	DC POWERED, 4A AT 28.25 VDC		

QTY REQD	CAGE CODE	PART OR IDENTIFYING NO.	NOMENCLATURE OR DESCRIPTION	MATERIAL SPECIFICATION	ITEM NO.
PARTS LIST					
UNLESS OTHERWISE SPECIFIED DIMENSIONS ARE IN INCHES TOLERANCES ARE:		CONTRACT NO. NA			
FRACTIONS DECIMALS ANGLES		DRAWN S.VALDEZ			
± 1/32 .XX ± .06 ± 1'		DATE 1/16/01			
.XXX ± .030		APPROVALS			
TREATMENT	NONE	CHECKED	HRF	11/2/01	TITLE
FINISH	NONE	APPROVED	JBT	11/8/01	BATTERY, VRSLA, 24 VOLT
SIMILAR TO	NA	ACT WT	NA	ISSUED	AT
NA	NA	NA	NA	8/7/08	SCALE 1/2
CAGE CODE 63017			DWG NO. RG-129		REV B
SHEET 1 OF 1			CONCORDE BATTERY CORPORATION 2009 SAN BERNARDINO RD, W. COVINA, CA 91790		

ENGINEERING COPY 07AUG08