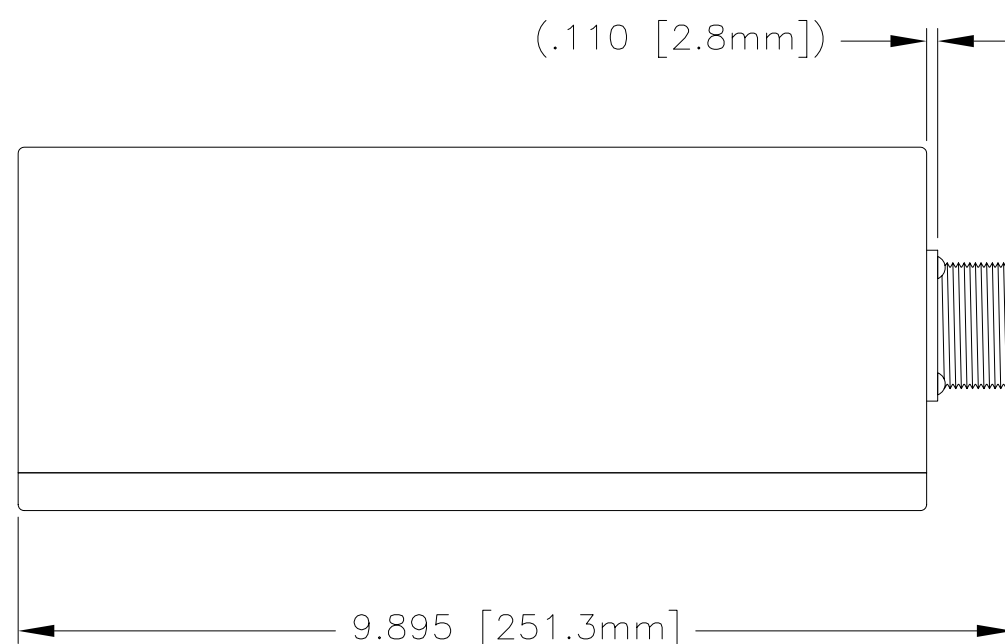


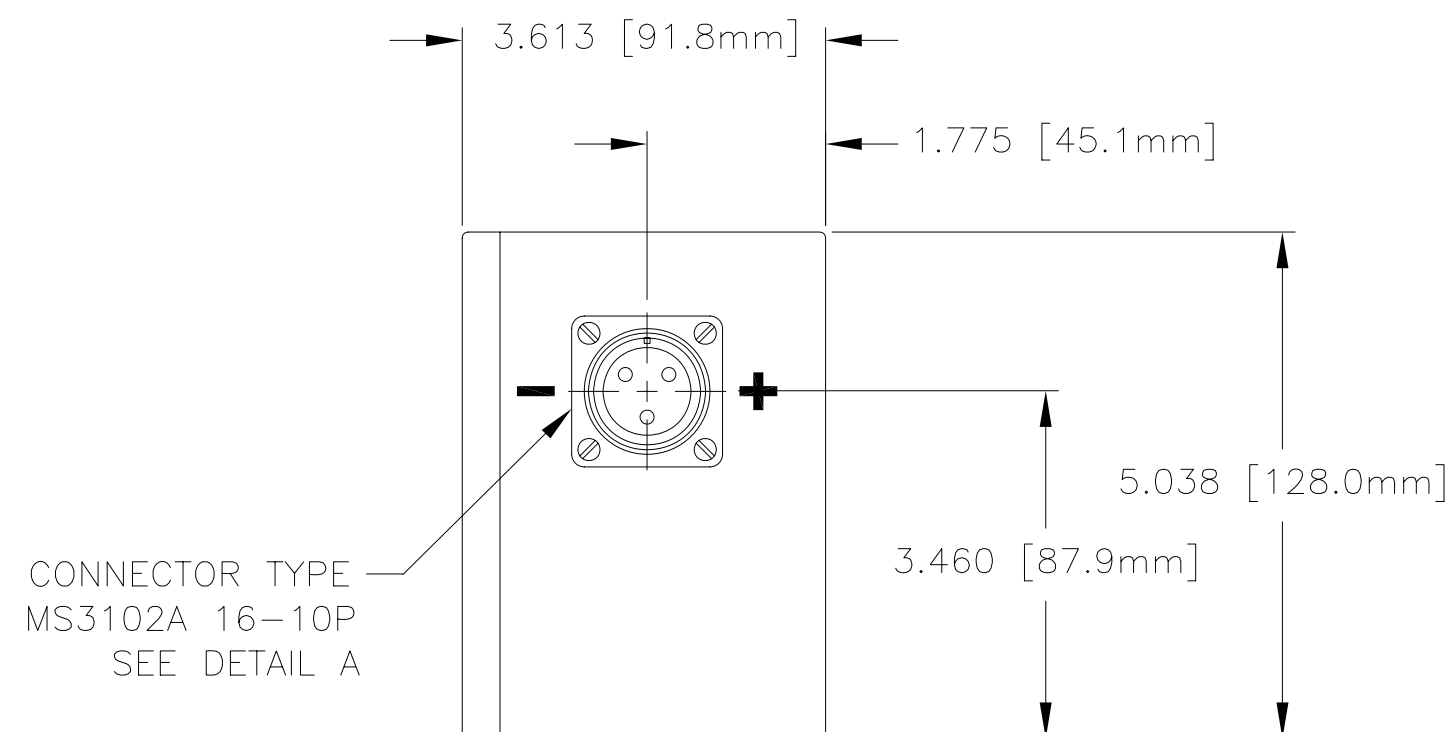
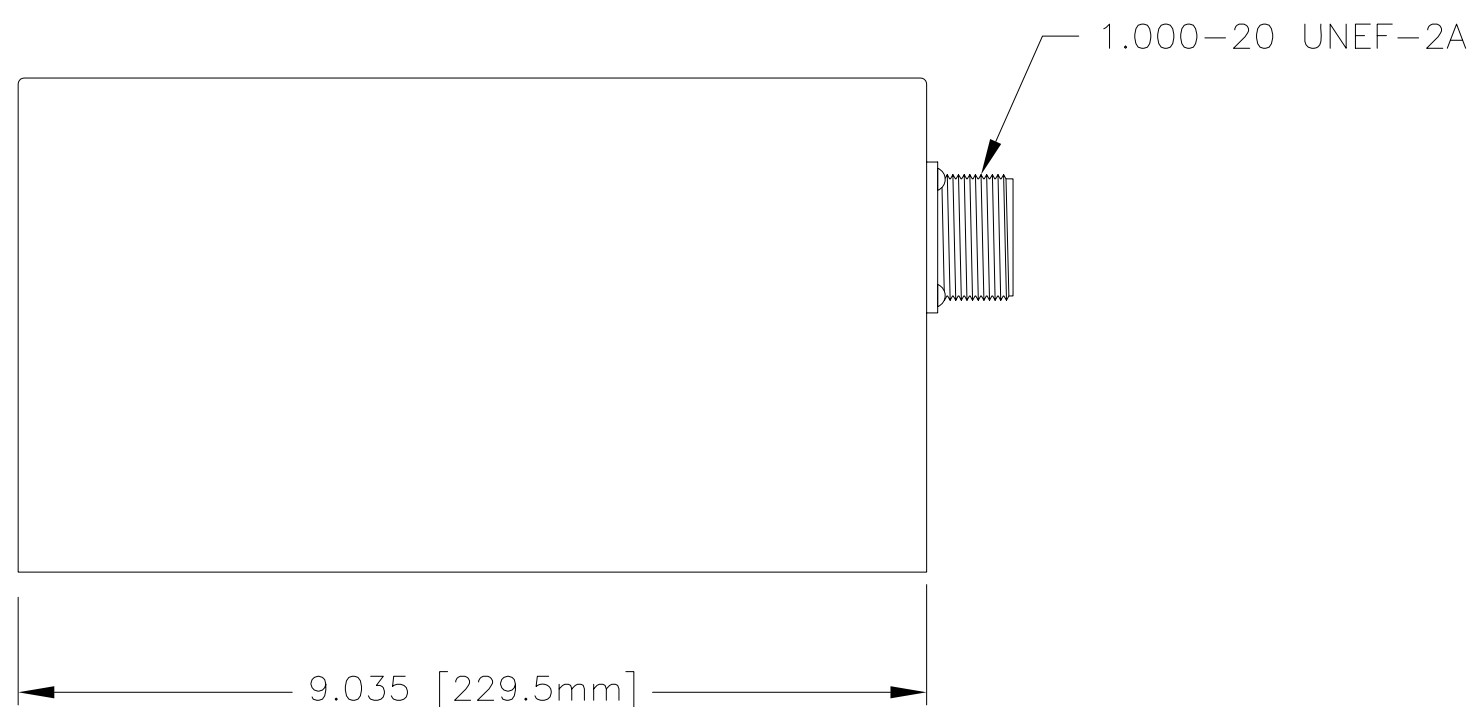
NOTES: UNLESS OTHERWISE SPECIFIED

1. MANUFACTURED AND INSPECTED IAW AS9100 QUALITY SYSTEM REQUIREMENTS.
2. ABBREVIATION USED IN TITLE IS: VALVE REGULATED SEALED LEAD ACID (VRSLA).
3. SEE DRAWING NUMBER CB-00215 AND PROCEDURE P-1000 FOR ASSEMBLY AND TEST INSTRUCTION. PROCEDURE AND ASSEMBLY DRAWINGS ARE FOR INTERNAL USE ONLY.
4. BATTERIES ARE RATED IAW INTERNATIONAL ELECTROTECHNICAL COMMISSION STANDARD 60952-1 AND RTCA STANDARD DO-293, UNLESS OTHERWISE NOTED.
5. THIS BATTERY IS NOT RATED FOR "ENGINE STARTING - HIGH RATE PERFORMANCE".

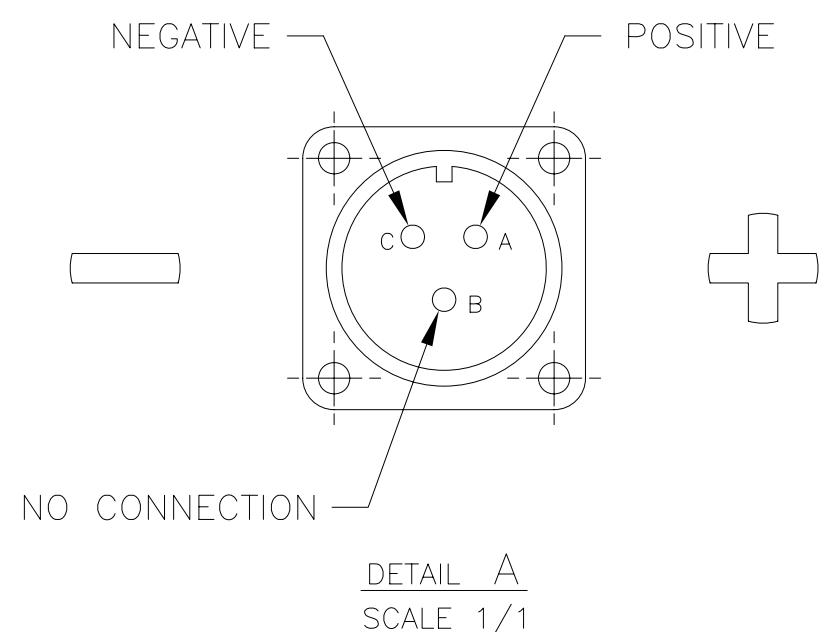
REVISIONS			
REV	DESCRIPTION	DATE	APPROVED
A	CONVERT DWG. TO AN "A"-SIZE DWG. CHANGED P/N, WAS RG24-126. MODIFIED CONT & COV ADDED CAPACITY RATING.	7/22/94	DG
B	REMOVED NOTE 1; ADD NOTE 3	10/17/96	KOSS
C	SEE DCN 0206	5/23/97	JBT
D	11.95 LBS WAS 11.4 LBS ADDED MM DIMS	4/30/98	JBT
E	ADDED RATINGS	7/6/98	JBT
F	DEL NOTE 1, REV NOTES 2, 4, & 5. UPDATED RATINGS PER TSO TESTS, RENUM NOTES 2-6 TO 1-5	4/4/12	JBT



PART NUMBER	RG-126		
MAXIMUM WEIGHT	11.95 LBS [5.4 KG]		
RATED CAPACITY, C ₁	3.5 AH		
POWER RATING	NOT RATED		
TEST TEMPERATURE	@23°C (74°F)	@-18°C (0°F)	@-30°C (-22°F)
CAPACITY, 3.5 A	3.5 AH	3.0 AH	2.0 AH
RAPID DISCHARGE, 35 A	2.0 AH	NOT RATED	0.6 AH



CONNECTOR TYPE
MS3102A 16-10P
SEE DETAIL A



ENVELOPE DRAWING

QTY REQD	CAGE CODE	PART OR IDENTIFYING NO.	NOMENCLATURE OR DESCRIPTION	MATERIAL SPECIFICATION	ITEM NO.
PARTS LIST					
UNLESS OTHERWISE SPECIFIED DIMENSIONS ARE IN INCHES TOLERANCES ARE:			CONCORDE BATTERY CORPORATION 2009 SAN BERNARDINO RD, W. COVINA, CA 91790		
FRACTIONS .XX ± .06		DECIMALS .XXX ± .060		ANGLES	
TREATMENT NONE			CONTRACT NO.		
FINISH NONE			APPROVALS		
SIMILAR TO			DRAWN TORRES J.		
ACT WT			CHECKED KOSS		
CALC WT			APPROVED DG		
ISSUED BT			DATE 8/5/94		
TITLE		CAGE CODE		DWG NO.	
BATTERY, VRSLA, 24 VOLT		63017		RG-126	
SCALE 1/2		SHEET 1 OF 1		REV F	