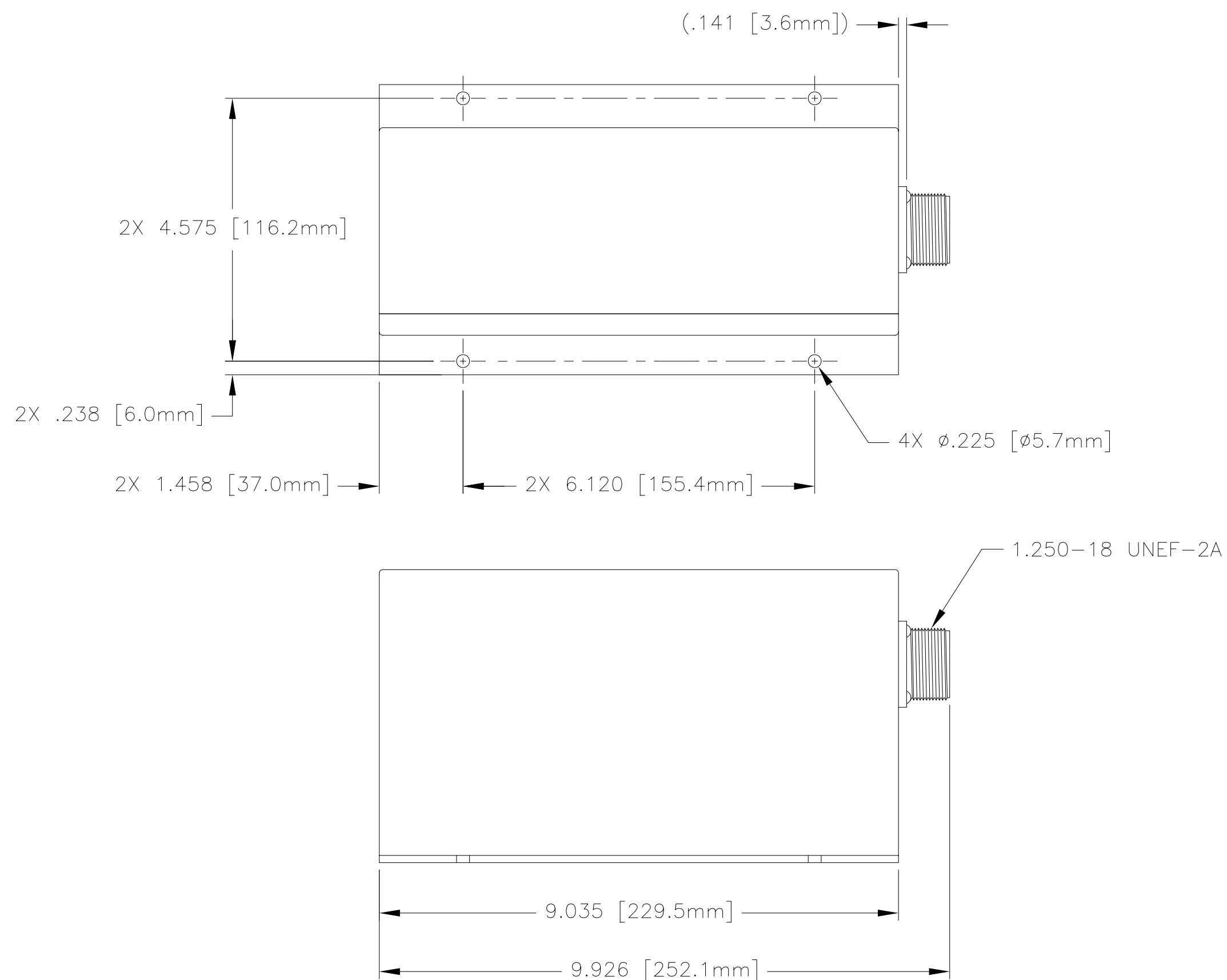


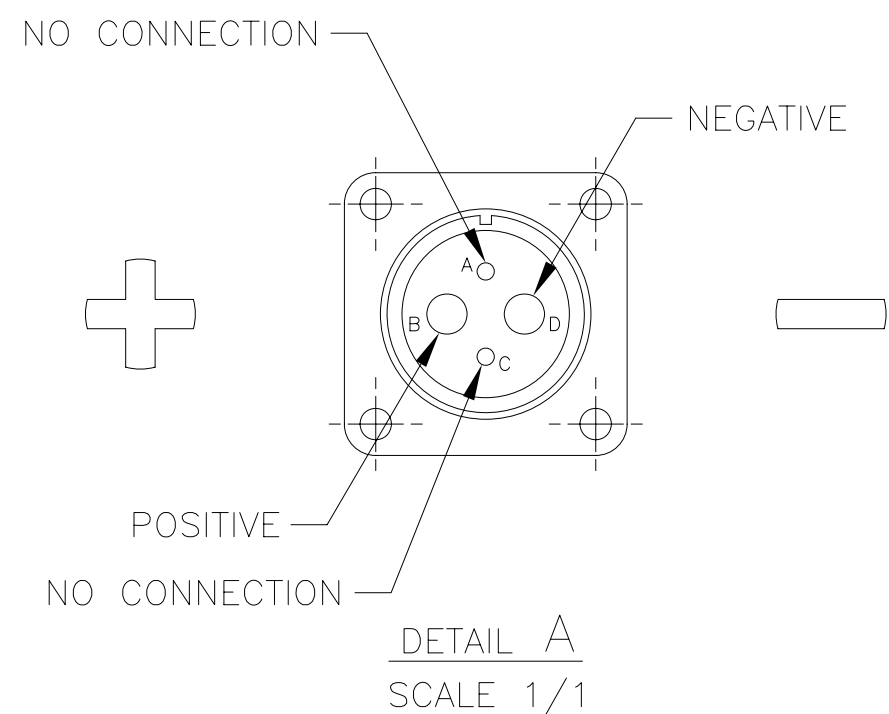
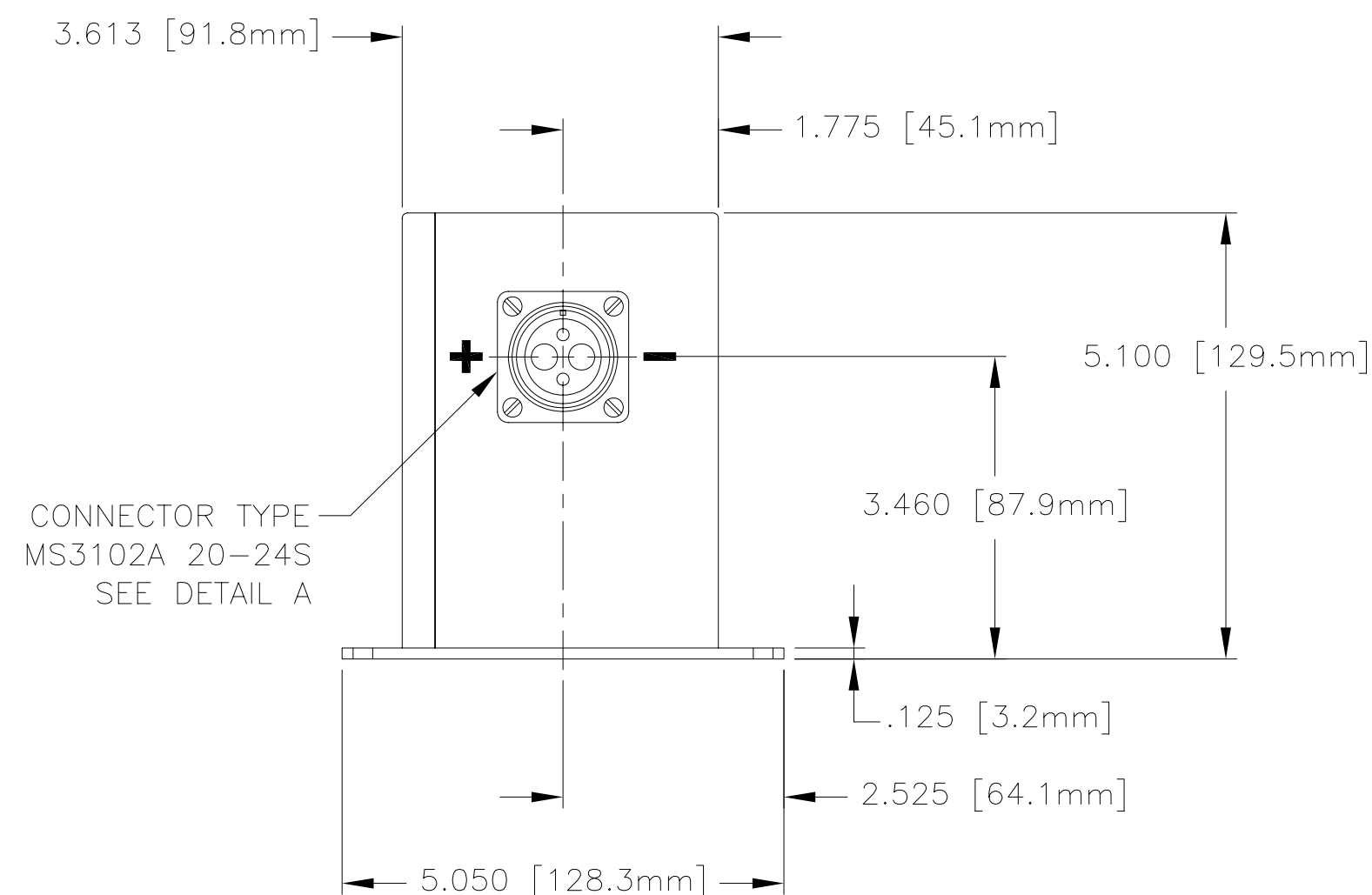
NOTES: UNLESS OTHERWISE SPECIFIED

1. MANUFACTURED AND INSPECTED IAW AS9100 QUALITY SYSTEM REQUIREMENTS.
2. ABBREVIATION USED IN TITLE IS: VALVE REGULATED SEALED LEAD ACID (VRSLA).
3. SEE DRAWING NUMBER CB-00214 AND PROCEDURE P-1000 FOR ASSEMBLY AND TEST INSTRUCTION. PROCEDURES AND ASSEMBLY DRAWINGS ARE FOR INTERNAL USE ONLY.
4. BATTERIES ARE RATED IAW INTERNATIONAL ELECTROTECHNICAL COMMISSION STANDARD 60952-1 AND RTCA STANDARD DO-293, UNLESS OTHERWISE NOTED.
5. THIS BATTERY IS NOT RATED FOR "ENGINE STARTING - HIGH RATE PERFORMANCE."

REVISIONS			
REV	DESCRIPTION	DATE	APPROVED
A	CONVERT DWG. TO AN "A"-SIZE DWG, CHANGED P/N. WAS RG24-125 MODIFIED CONT & COV; ADDED CAPACITY RATINGS.	7/22/94	DG
B	SEE DCN 0205	5/23/97	JBT
C	11.95 LBS WAS 11.8 LBS ADDED MM DIMS	4/30/98	JBT
D	ADDED RATINGS	7/6/98	JBT
E	DEL NOTE 1, REV NOTES 2, 4 & 5, UPDATED RATINGS PER TSO TESTS, RENUM NOTES 2-6 TO 1-5	4/4/12	JBT



PART NUMBER	RG-125		
MAXIMUM WEIGHT	11.95 LBS [5.4 KG]		
RATED CAPACITY, C ₁	3.5 AH		
POWER RATING	NOT RATED		
TEST TEMPERATURE	@23°C (74°F)	@-18°C (0°F)	@-30°C (-22°F)
CAPACITY, 3.5 A	3.5 AH	3.0 AH	2.0 AH
RAPID DISCHARGE, 35 A	2.0 AH	NOT RATED	0.6 AH



ENVELOPE DRAWING

QTY REQD	CAGE CODE	PART OR IDENTIFYING NO.	NOMENCLATURE OR DESCRIPTION	MATERIAL SPECIFICATION	ITEM NO.
PARTS LIST					
UNLESS OTHERWISE SPECIFIED DIMENSIONS ARE IN INCHES TOLERANCES ARE:			CONCORDE BATTERY CORPORATION 2009 SAN BERNARDINO RD, W. COVINA, CA 91790		
FRACTIONS		DECIMALS	ANGLES	TITLE	
		.XX ±.06		BATTERY, VRSLA, 24 VOLT	
		.XXX ±.060		DRAWN TORRES J. 10/12/93	
TREATMENT	NONE	CHECKED	KOSS	8/5/94	DATE
FINISH	NONE	APPROVED	DG	8/5/94	DATE
SIMILAR TO	ACT WT	CALC WT	ISSUED	BT	4/5/12
			CONTRACT NO.	SCALE 1/2	
			APPROVALS	SHEET 1 OF 1	
			DATE	REV E	
			SIZE	DWG NO. RG-125	
			CAGE CODE	C 63017	
			ISSUED	RENUM NOTES 2-6 TO 1-5	