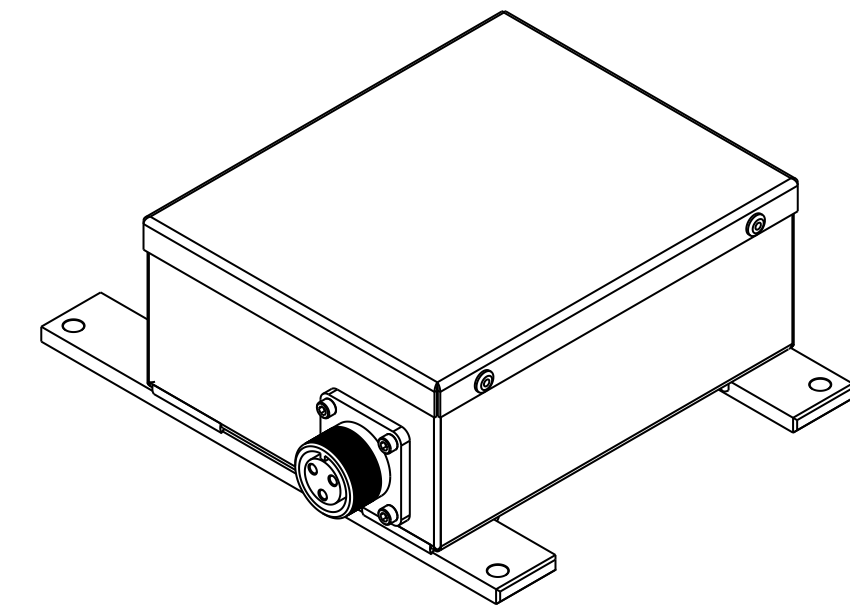
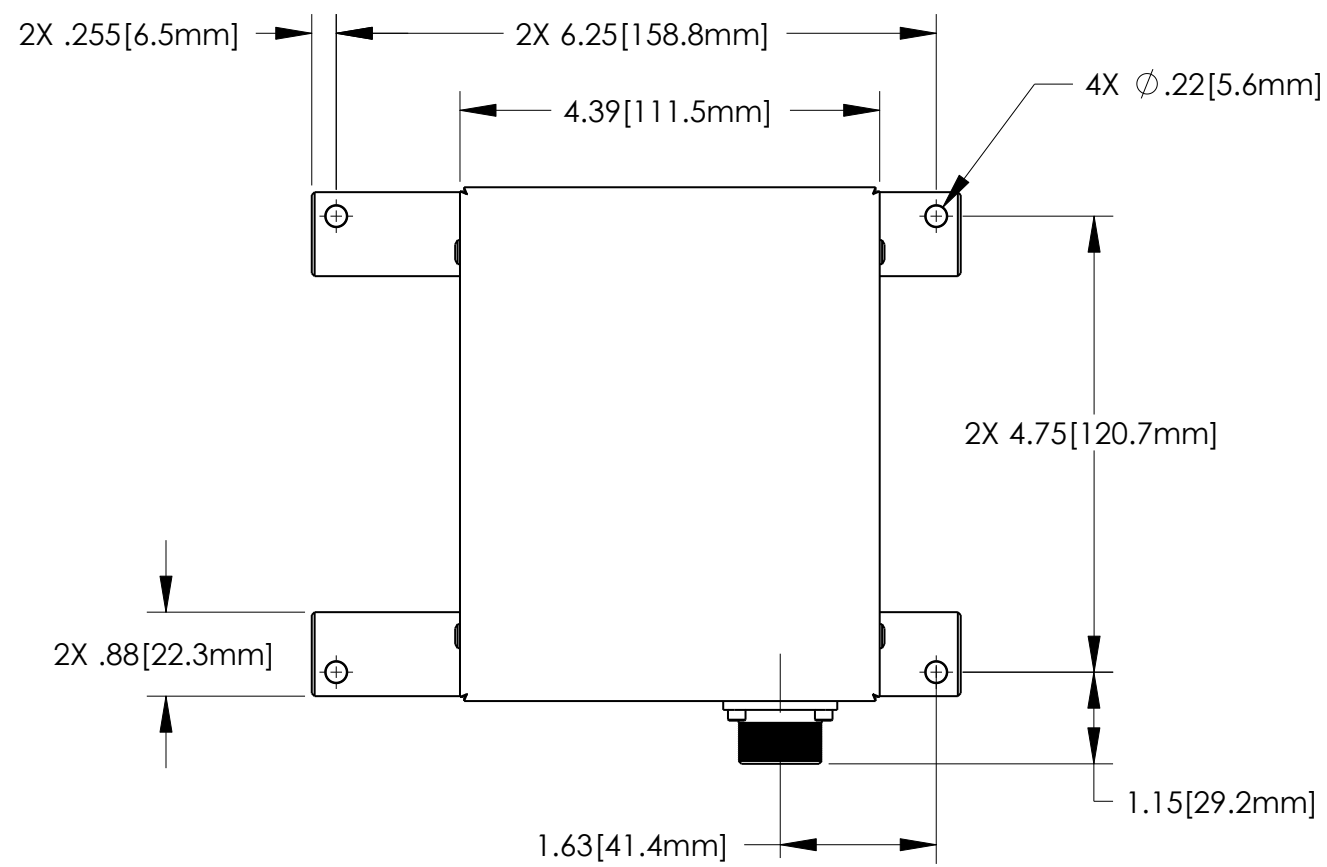


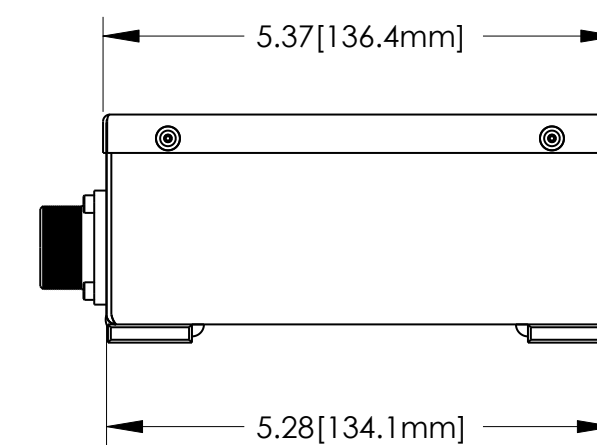
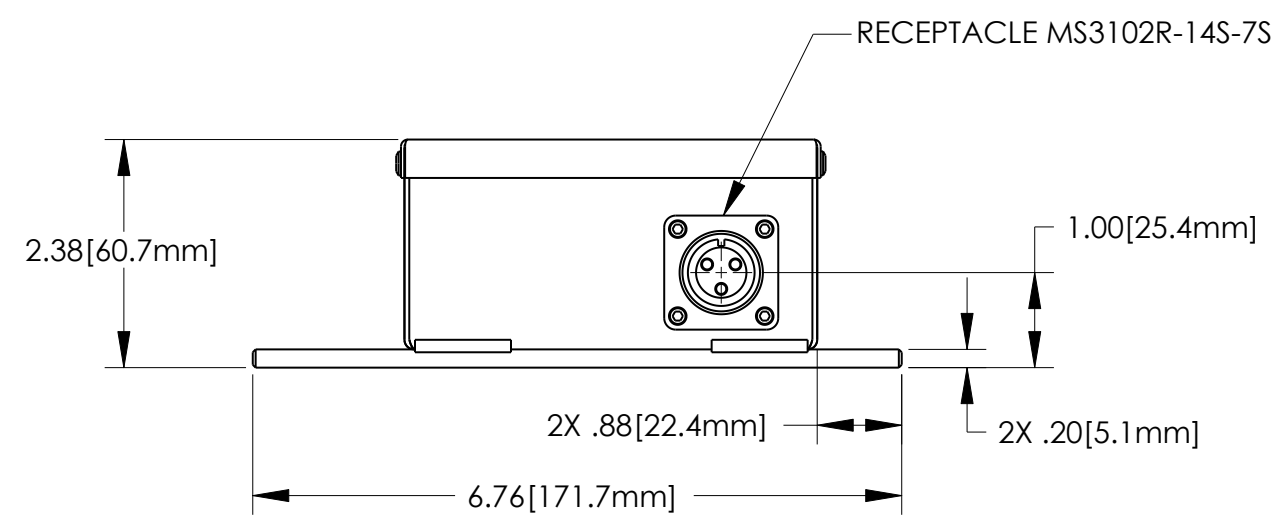
NOTES: UNLESS OTHERWISE SPECIFIED

- BATTERY CONFORMS TO THE DESIGN REQUIREMENTS OF 14 CFR 23.1353, 25.1353(c), 27.1353, 29.1353(c).
- INSPECT PER FAR 21.303(h) QUALITY SYSTEM.
- SEE DRAWING NO. CB-00308 AND PROCEDURE P-1000 FOR ASSEMBLY AND TEST INSTRUCTION. PROCEDURES AND ASSEMBLY DRAWINGS ARE FOR INTERNAL USE ONLY.
- BATTERIES ARE RATED IAW INTERNATIONAL ELECTROTECHNICAL COMMISSION STANDARD 60952-1, UNLESS OTHERWISE NOTED.
- DIMENSIONS ARE IN INCH [MILLIMETER].
- ABBREVIATION USED IN TITLE IS: VALVE REGULATED SEALED ACID (VRSLA)

REVISIONS			
REV	DESCRIPTION	DATE	APPROVED

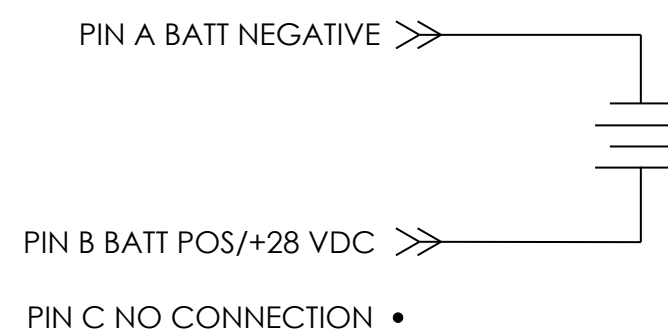


ISOMETRIC VIEW



PART NUMBER	RG-120		
MAXIMUM WEIGHT	3.5 LBS [1.59 KG]		
RATED CAPACITY, C ₁	0.70 AH		
POWER RATING	NOT RATED		
TEST TEMPERATURE	@23°C (74°F)	@-18°C (0°F)	@-30°C (-22°F)
CAPACITY, 0.70 A	0.70 AH	TBD	TBD
RAPID DISCHARGE, 4.2 A	TBD	TBD	TBD

CONNECTION PIN IDENTIFICATION



ENVELOPE DRAWING

UNLESS OTHERWISE SPECIFIED DIMENSIONS ARE IN INCHES TOLERANCES ARE:			CONTRACT NO.		CONCORDE BATTERY CORPORATION 2009 SAN BERNARDINO RD, W. COVINA, CA 91790		
FRACTIONS	DECIMALS	ANGLES	APPROVALS	DATE	TITLE		
±1/32	.XX ±.06 .XXX ±.030	±1°	R.MURRIETTA	11/01/05	BATTERY, VRSLA, 24 VOLT		
TREATMENT	NONE	CHECKED	AMII	11/2/05	SIZE	CAGE CODE	DWG NO.
FINISH	NONE	APPROVED	DV	11/3/05	C	63017	RG-120
SIMILAR TO	CALC WT	ISSUED	NS	11/8/05	SCALE	1:1	SHEET 1 OF 1