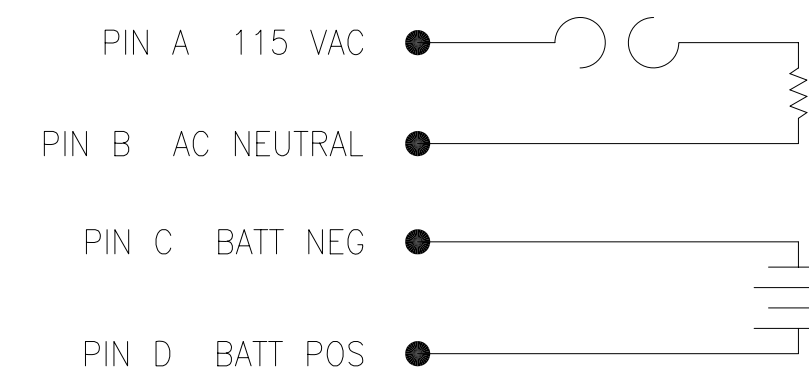
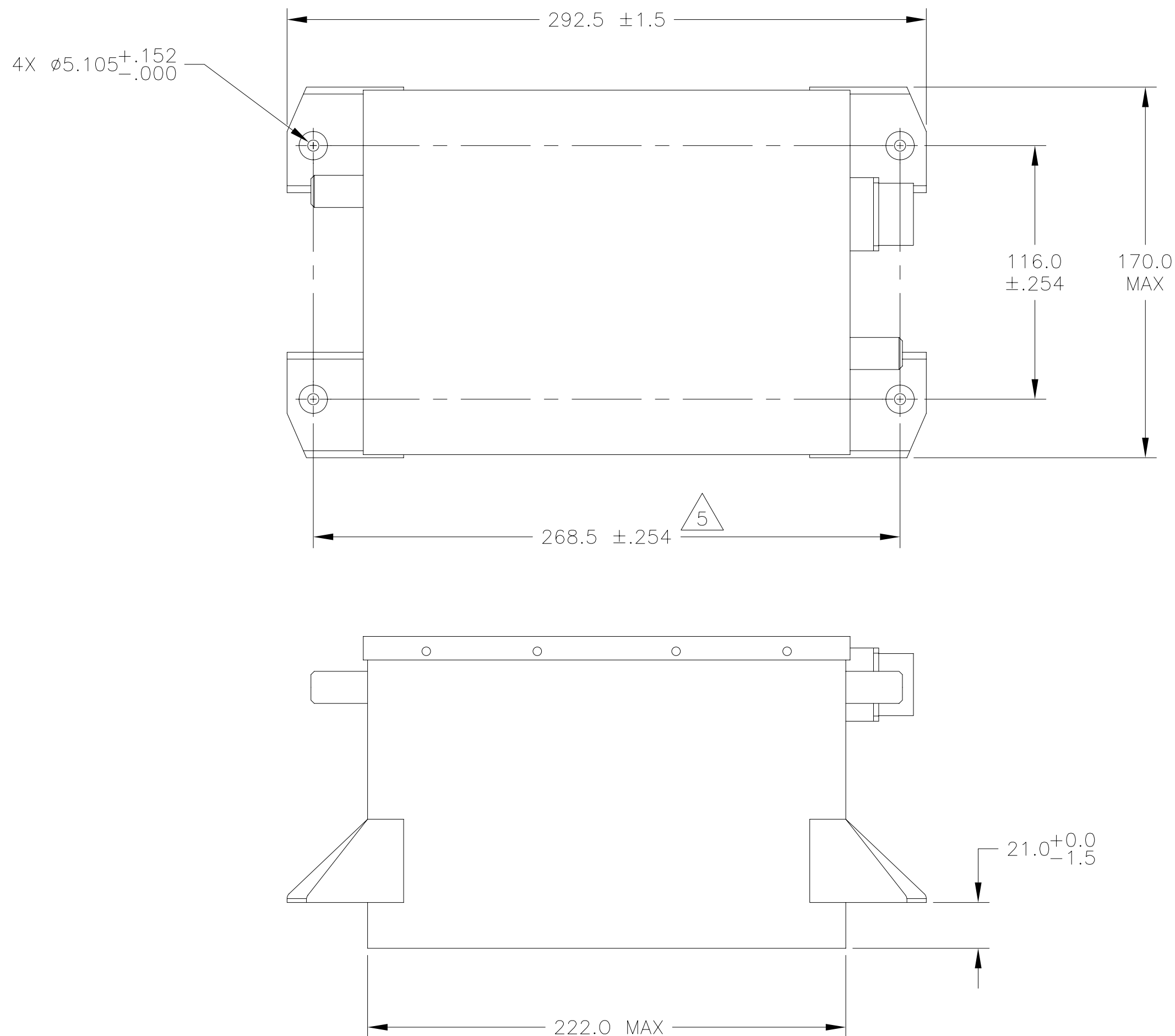


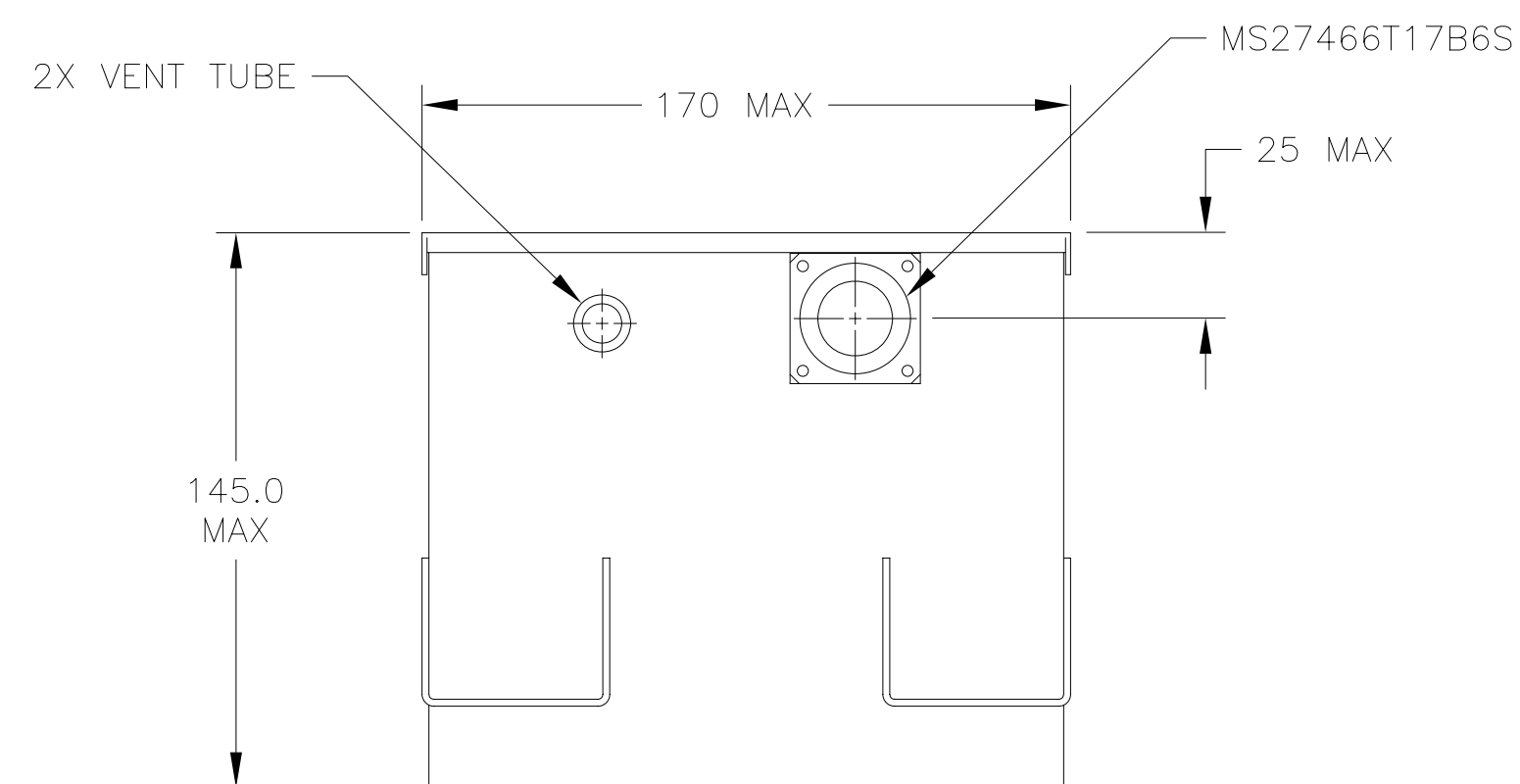
NOTES: UNLESS OTHERWISE SPECIFIED

- BATTERY CONFORMS TO THE REQUIREMENTS OF MIL-PRF-8565 AND MIL-PRF-8565/4, QUALIFIED PRODUCTS LISTED.
- SEE DRAWING NO. CB-00165 AND PROCEDURE P-1000 FOR ASSEMBLY AND TEST INSTRUCTION. PROCEDURES AND ASSEMBLY DRAWINGS ARE FOR INTERNAL USE ONLY.
- BATTERY WEIGHT: 11.8 kg MAXIMUM
- FOR DIMENSIONS NOT SHOWN, SEE MILITARY SPECIFICATIONS. DIMENSIONS ARE MILLIMETERS.
- MIL-PRF-8565/4D (AS) DIM 266.5 ±.254 IS AN ERROR. CORRECT DIM IS 268.5 ±.254. REFER TO DEVIATION APPROVAL EMAIL DATED 7/1/2003.

REVISIONS			
REV	DESCRIPTION	DATE	APPROVED
A	UPDATED NOTE 1, FIXED CAGE CODE	1/31/03	JBT
B	ADDED NOTE 5, REV NOTE 4, RELOCATED 222.0 MAX DIM	1/27/12	PH



CONNECTOR SCHEMATIC DIAGRAM



ENVELOPE DRAWING

QTY REQD	CAGE CODE	PART OR IDENTIFYING NO.	NOMENCLATURE OR DESCRIPTION	MATERIAL SPECIFICATION	ITEM NO.
PARTS LIST					
UNLESS OTHERWISE SPECIFIED DIMENSIONS ARE IN INCHES TOLERANCES ARE:			CONCORDE BATTERY CORPORATION 2009 SAN BERNARDINO RD, W. COVINA, CA 91790		
FRACTIONS	DECIMALS	ANGLES	APPROVALS	DATE	TITLE
± .XX ±	± .XXX ±	±	DRAWN B.PORTER	6/28/99	BATTERY, STORAGE, AIRCRAFT 24 VOLT, 7.5 AH
TREATMENT	NONE	CHECKED AMIII	8/5/99	SIZE C	CAGE CODE 63017
FINISH	NONE	APPROVED JBT	8/6/99	DWG NO. D8565/4-1	REV B
SIMILAR TO	ACT WT	CALC WT	ISSUED BT	1/30/12	SCALE 1/2
				SHEET 1 OF 1	