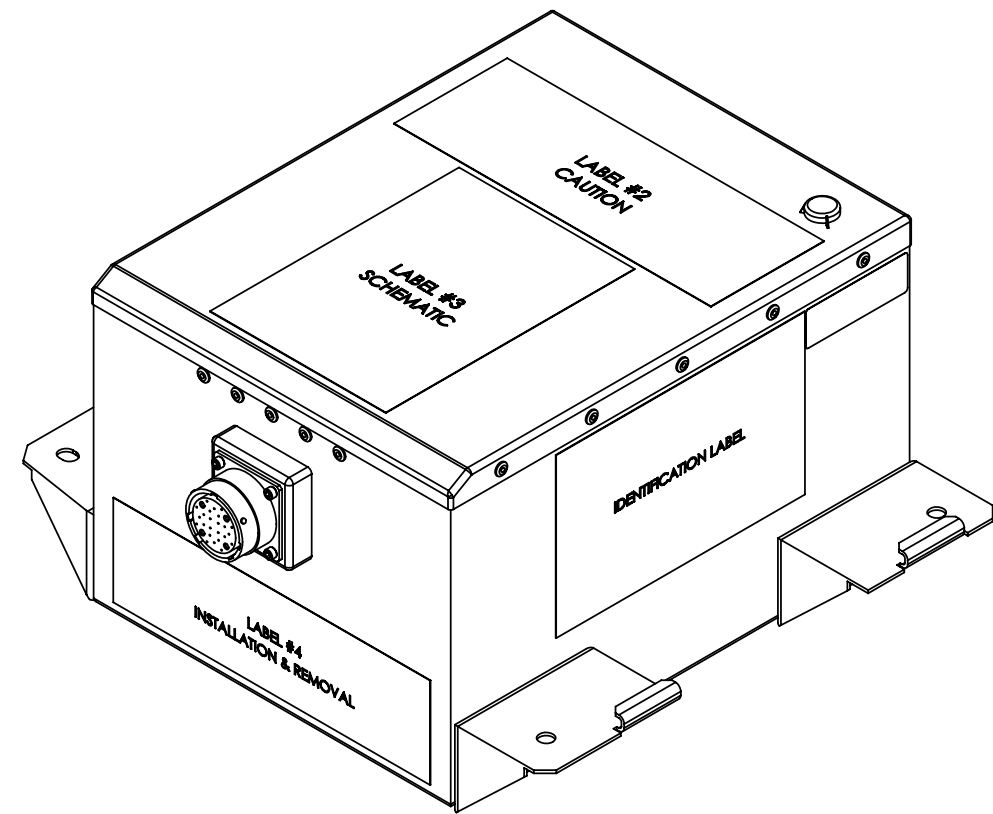
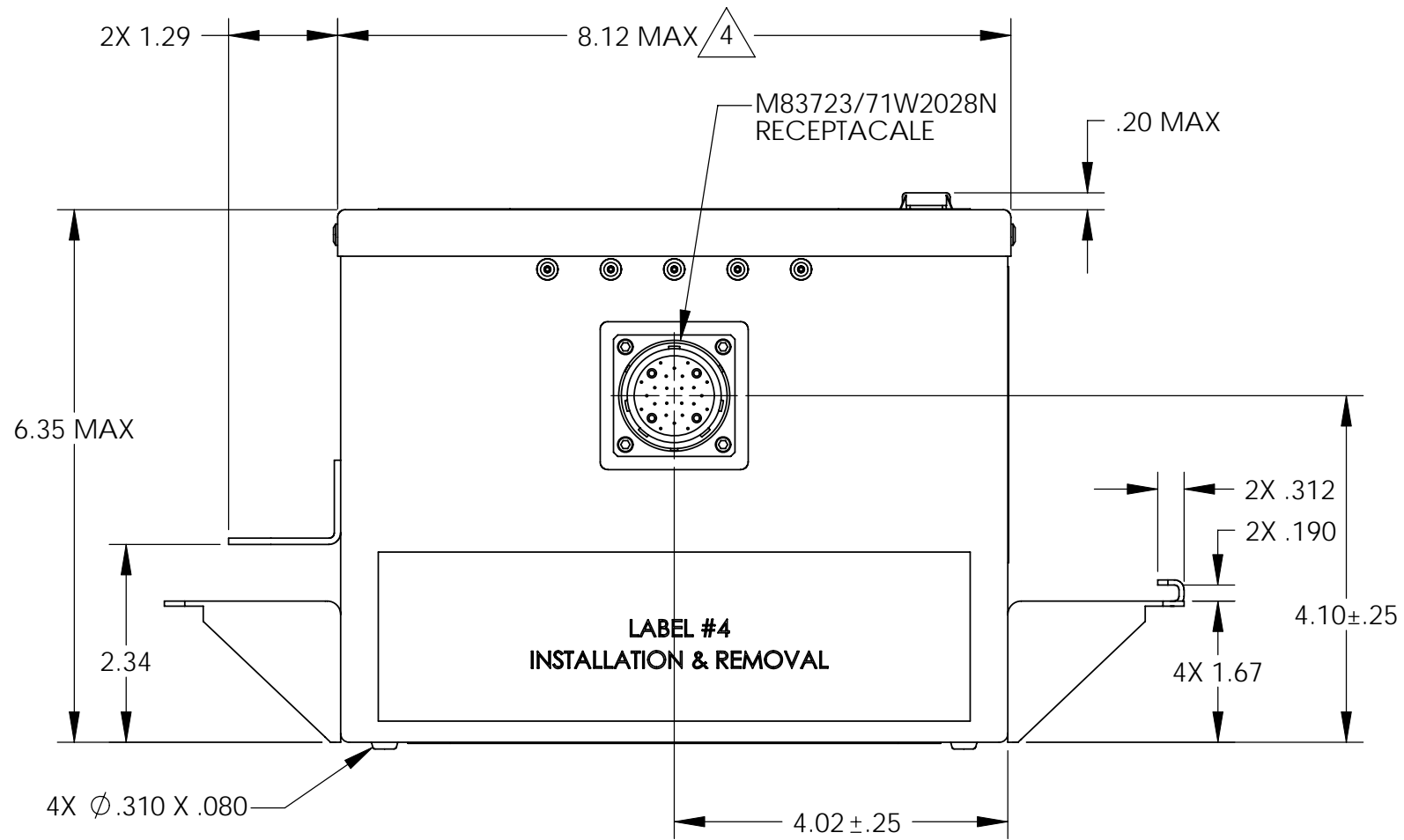
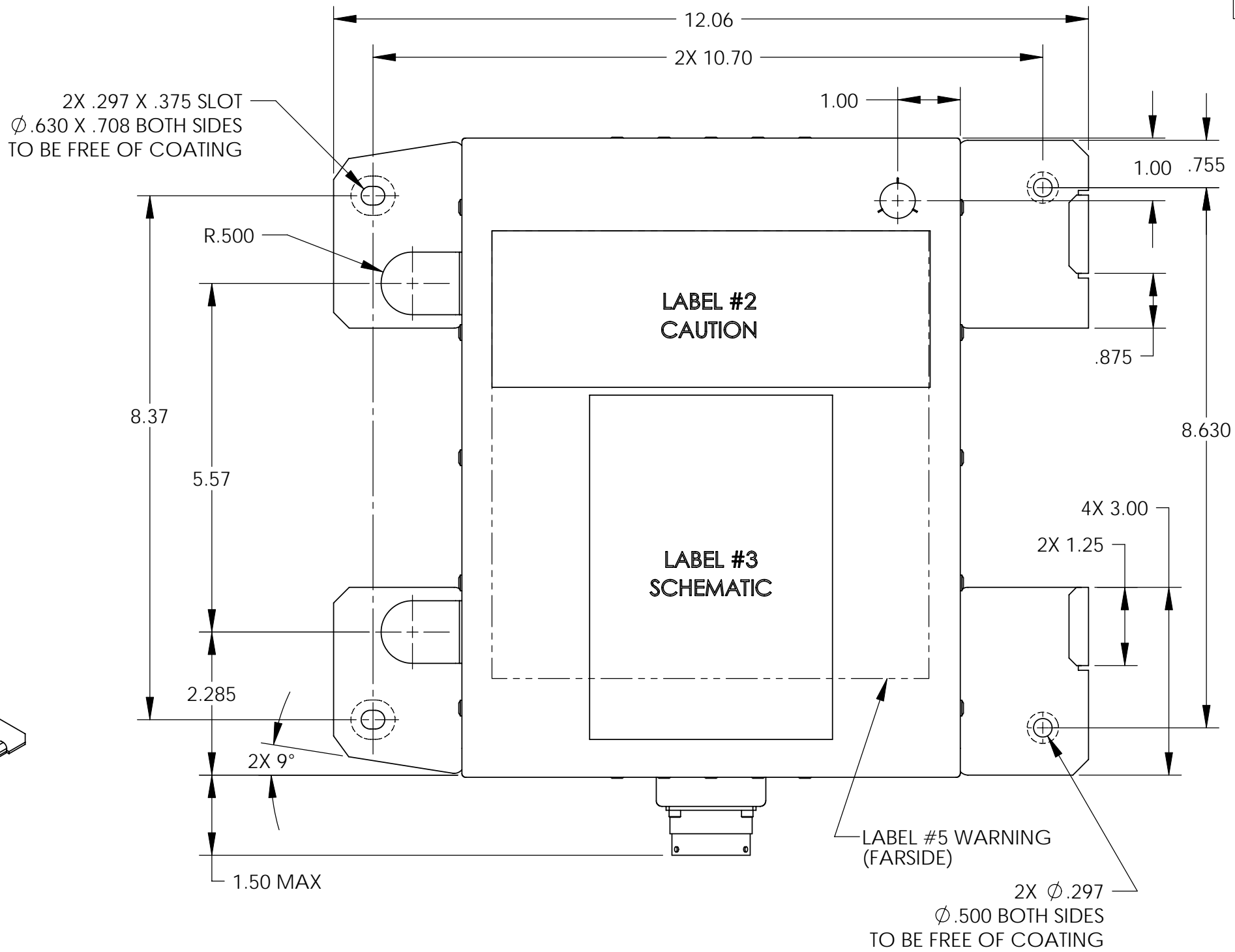
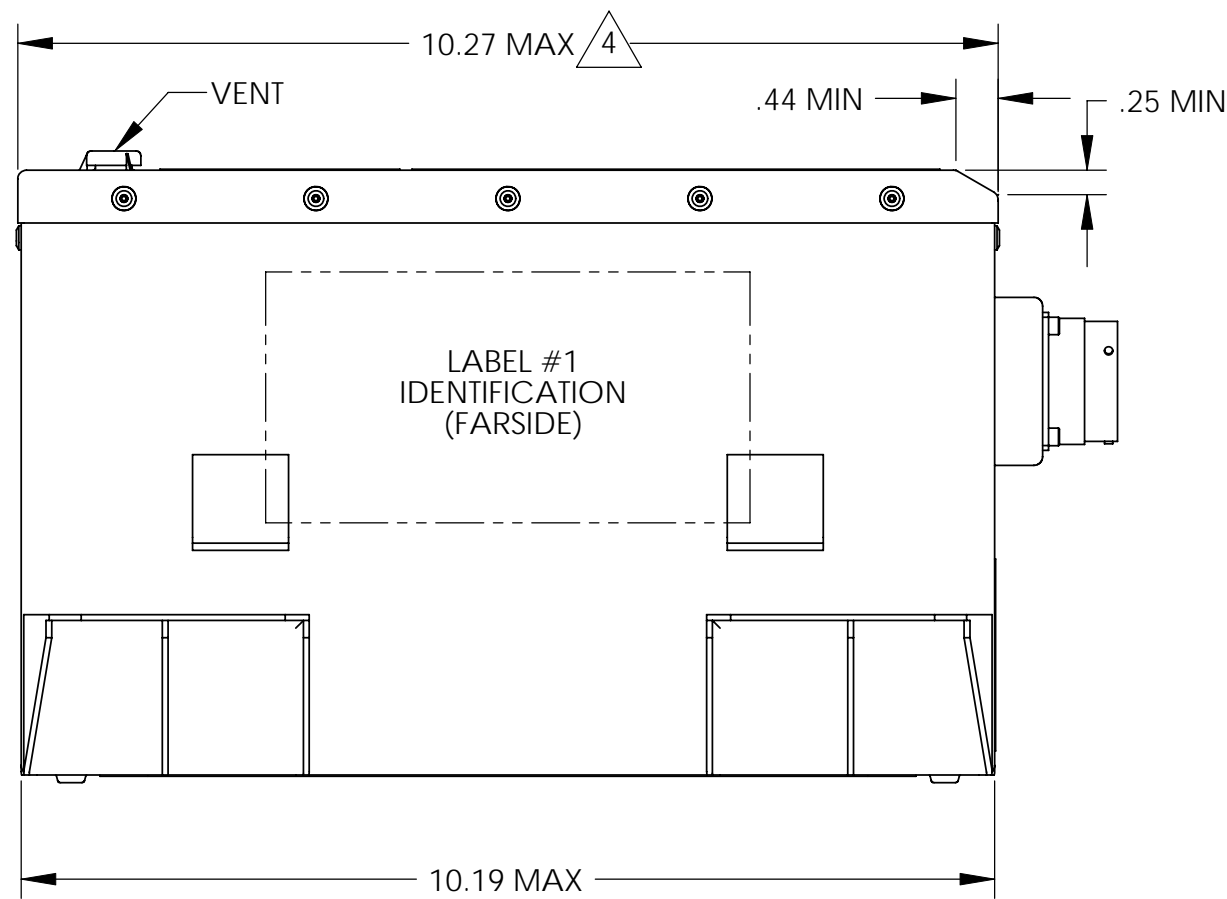


NOTES: UNLESS OTHERWISE SPECIFIED

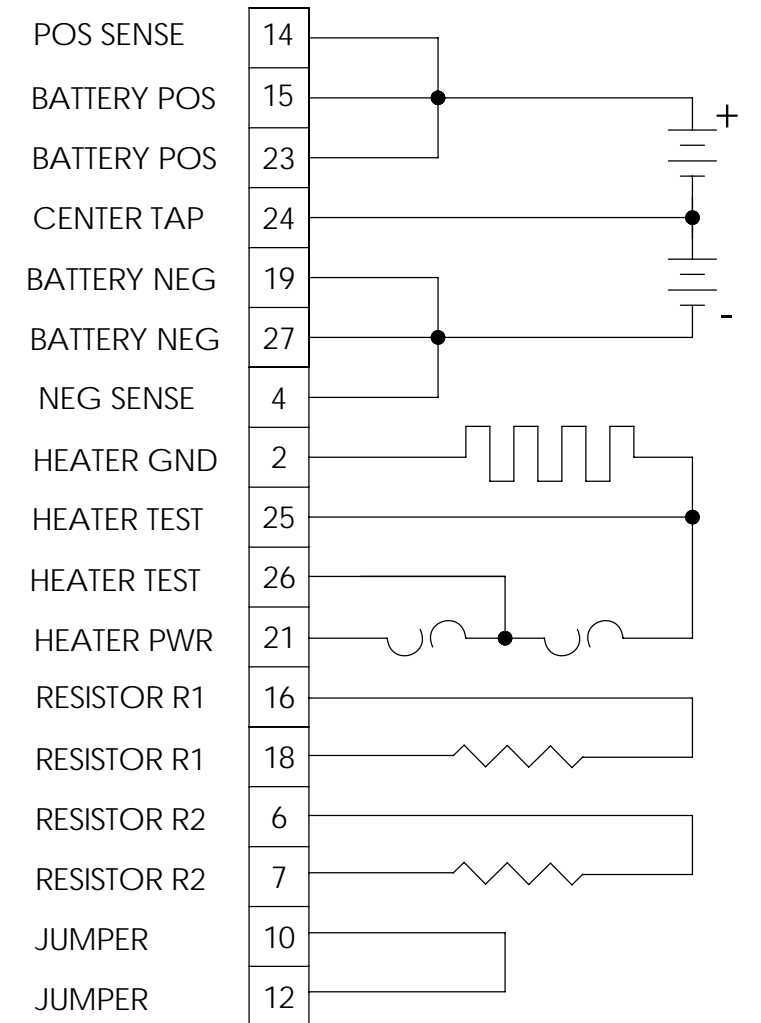
1. BATTERY CONFORMS TO THE REQUIREMENTS OF MIL-PRF-8565 AND MIL-PRF-8565/19.
2. SEE DRAWING NO. CB-00344 AND PROCEDURE P-1000 FOR ASSEMBLY AND TEST INSTRUCTIONS. PROCEDURES AND ASSEMBLY DRAWINGS ARE FOR INTERNAL USE ONLY.
3. BATTERY MAXIMUM WEIGHT: 50.0 LBS. (22.7 Kg)
4. RIVETS ARE ALLOWED TO EXTEND .080 BEYOND COVER DIMENSION.



ISOMETRIC VIEW



REVISIONS			
REV	DESCRIPTION	DATE	APPROVED



SCHEMATIC DIAGRAM

ENVELOPE DRAWING

The data/information contained herein has been reviewed and approved for general release on the basis that this document contains no export-controlled information.

UNLESS OTHERWISE SPECIFIED DIMENSIONS ARE IN INCHES TOLERANCES ARE:			CONTRACT NO.		CONCORDE BATTERY CORPORATION 2009 SAN BERNARDINO RD, W. COVINA, CA 91790		
FRACTIONS	DECIMALS	ANGLES	APPROVALS	DATE	TITLE		
±1/32	.XX ±.06 .XXX ±.030	±1°	DRAWN N.SANCHEZ	11/5/09	BATTERY, STORAGE, AIRCRAFT, 24 VOLT, 15 AH		
TREATMENT	NONE		CHECKED AMIII	11/6/09	SIZE	CAGE CODE	DWG NO.
FINISH	NONE		APPROVED DV	11/9/09	C	63017	D8565/19-1
SIMILAR TO	CALC WT		ISSUED JJ	11/11/09	SCALE	1:1	SHEET 1 OF 1