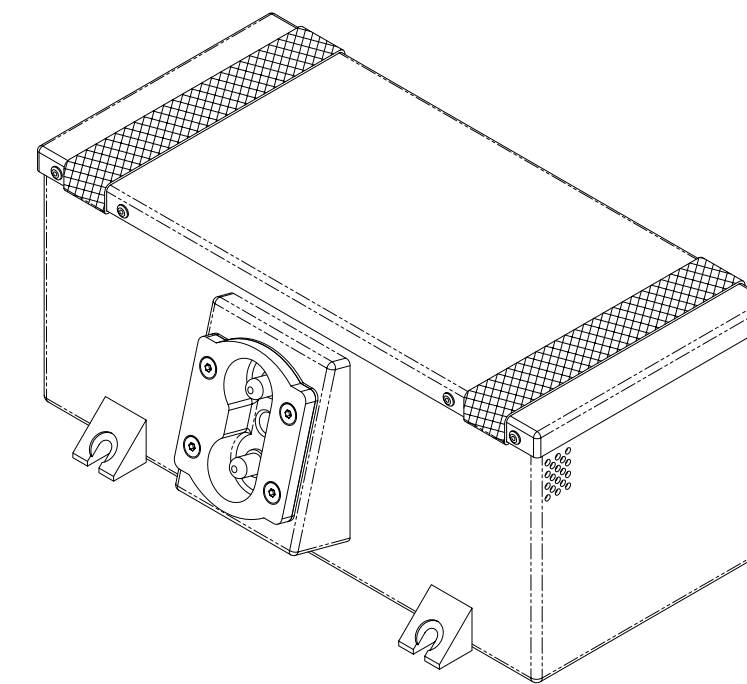
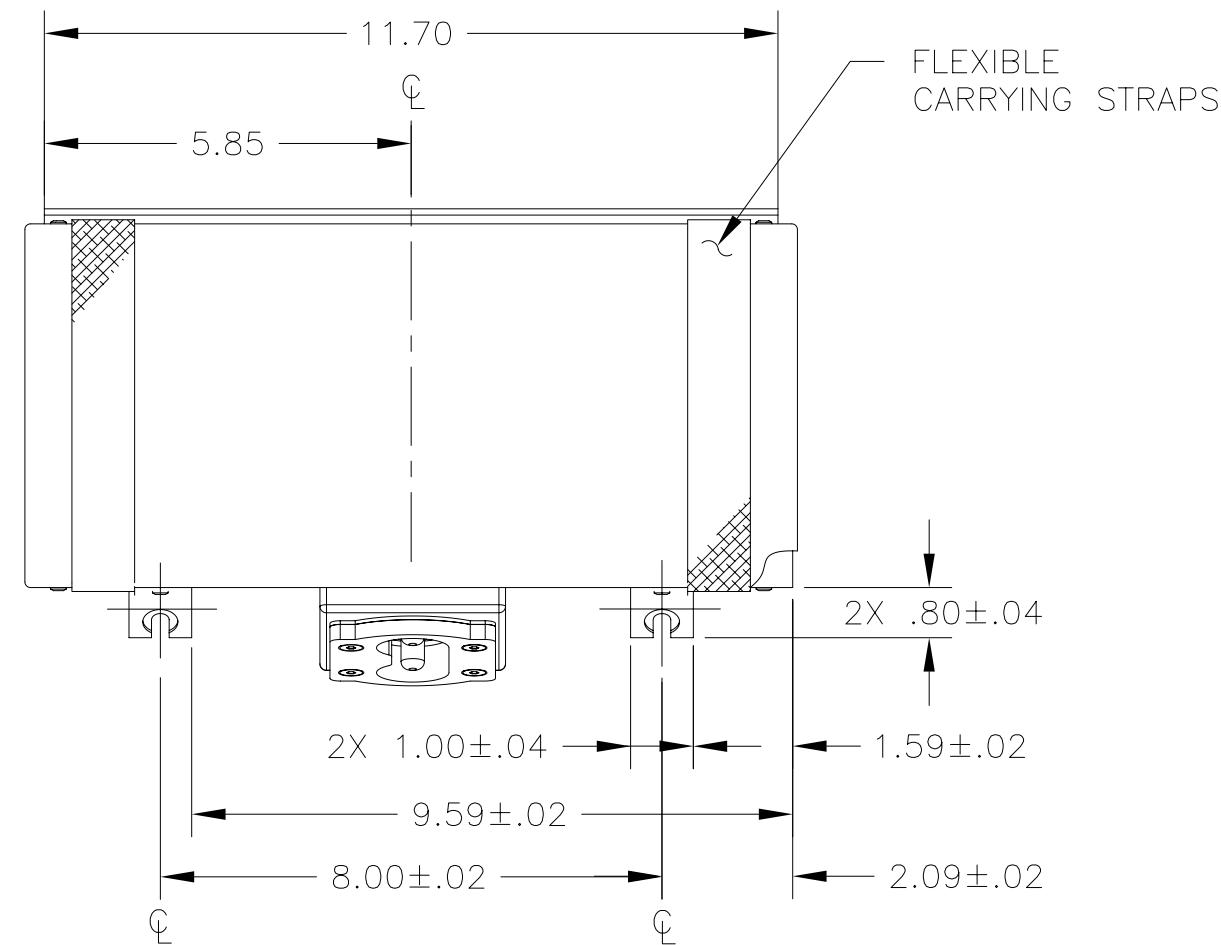


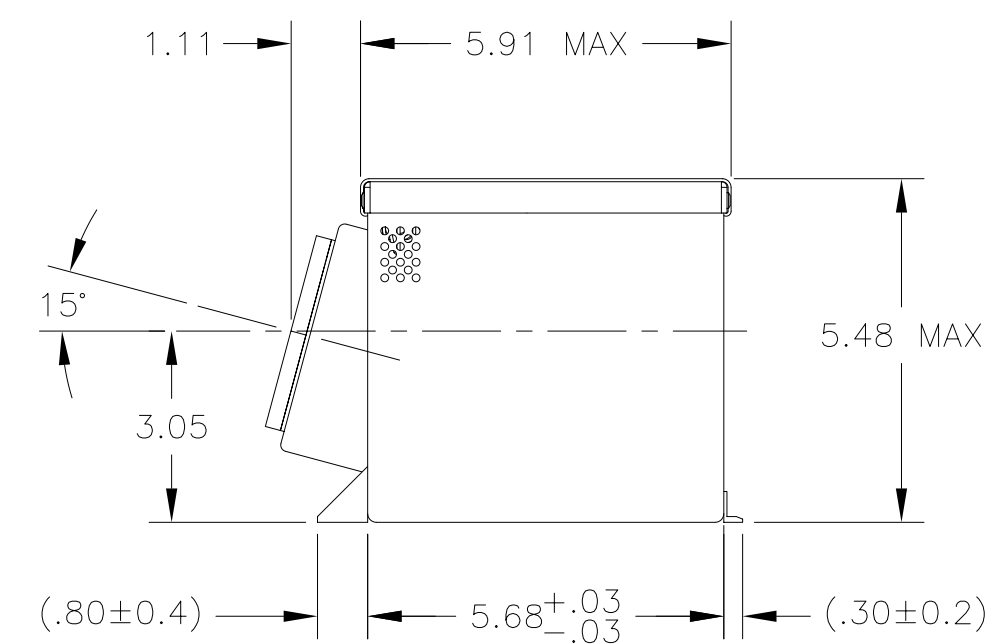
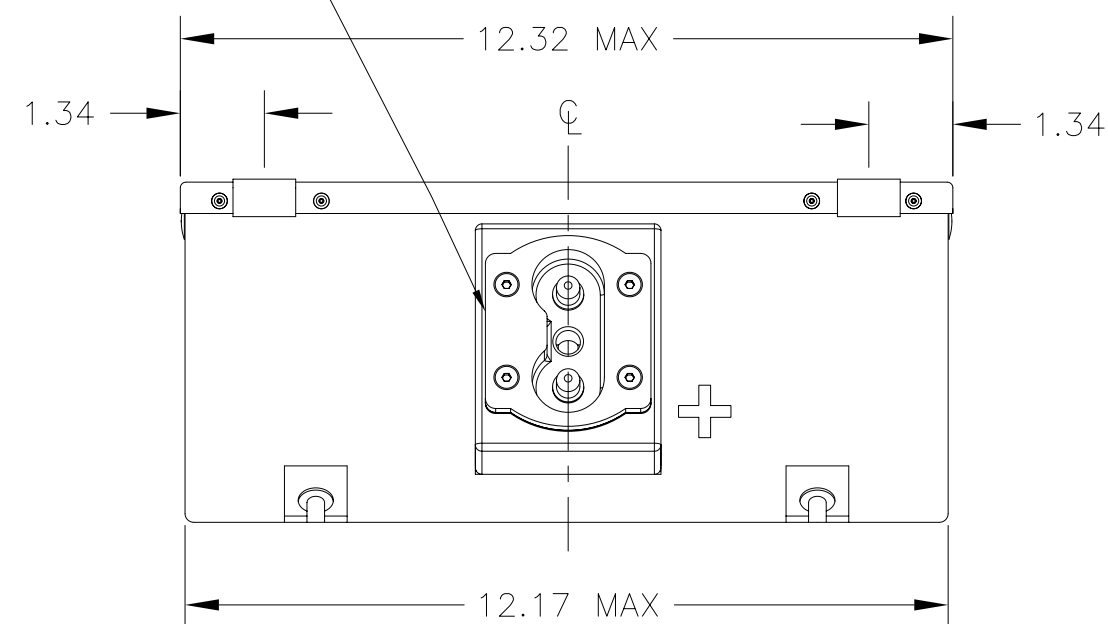
NOTES: UNLESS OTHERWISE SPECIFIED

1. BATTERY CONFORMS TO THE REQUIREMENTS OF MIL-PRF-8565 AND MIL-PRF-8565/18.
2. SEE DRAWING NO. CB-00316 AND PROCEDURE P-1000 FOR ASSEMBLY AND TEST INSTRUCTIONS. PROCEDURES AND ASSEMBLY DRAWINGS ARE FOR INTERNAL USE ONLY.
3. BATTERY MAXIMUM WEIGHT 33.0 LBS (15.0 KG).

REVISIONS			
REV	DESCRIPTION	DATE	APPROVED



MS3509 RECEPTACLE
STYLE 2 EQUIVALENT



ENVELOPE DRAWING

QTY REQD	CAGE CODE	PART OR IDENTIFYING NO.	NOMENCLATURE OR DESCRIPTION	MATERIAL SPECIFICATION	ITEM NO.
PARTS LIST					
UNLESS OTHERWISE SPECIFIED DIMENSIONS ARE IN INCHES. TOLERANCES ARE:		CONTRACT NO. NA		CONCORDE BATTERY CORPORATION 2009 SAN BERNARDINO RD, W. COVINA, CA 91790	
FRACTIONS	DECIMALS	ANGLES	APPROVALS	DATE	TITLE
± 1/32	.XX ± .06	± 1°	E. SIERRA	09/11/07	BATTERY, STORAGE, AIRCRAFT, 24 VOLT, 10AH
	.XXX ± .030		CHECKED	AMIII	10/1/07
TREATMENT	NONE	APPROVED	JBT	10/2/07	SIZE CAGE CODE
FINISH	NONE	ISSUED	NS	10/3/07	DWG NO. D8565/18-1
SIMILAR TO NA	ACT WT NA	CALC WT NA	SCALE	1:3	REV
					SHEET 1 OF 1

ENGINEERING COPY 030CT07