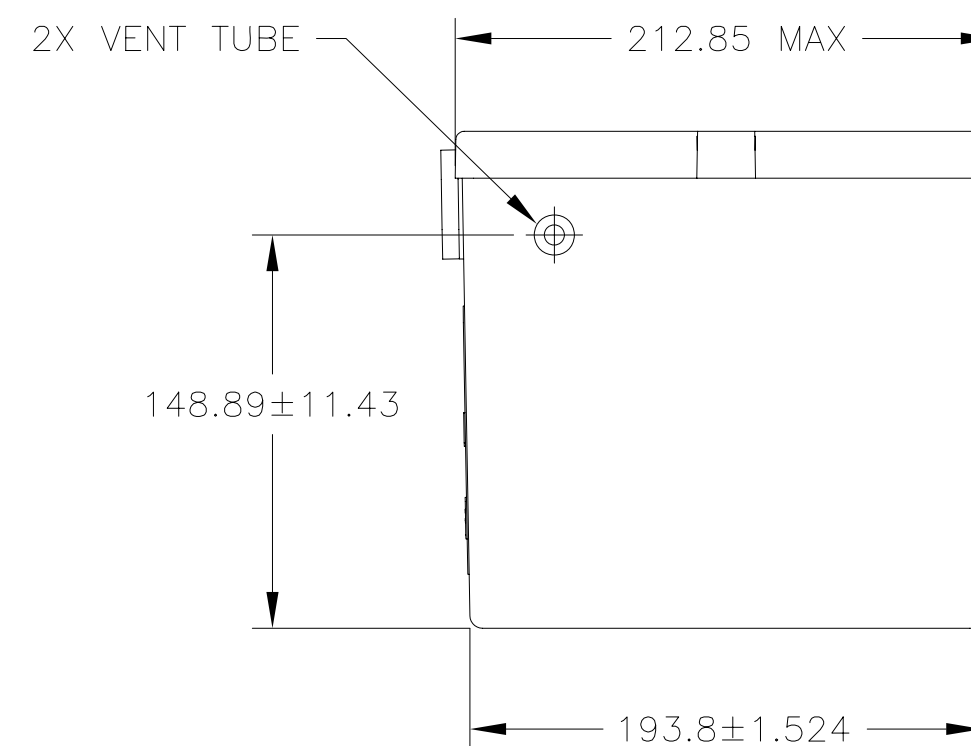
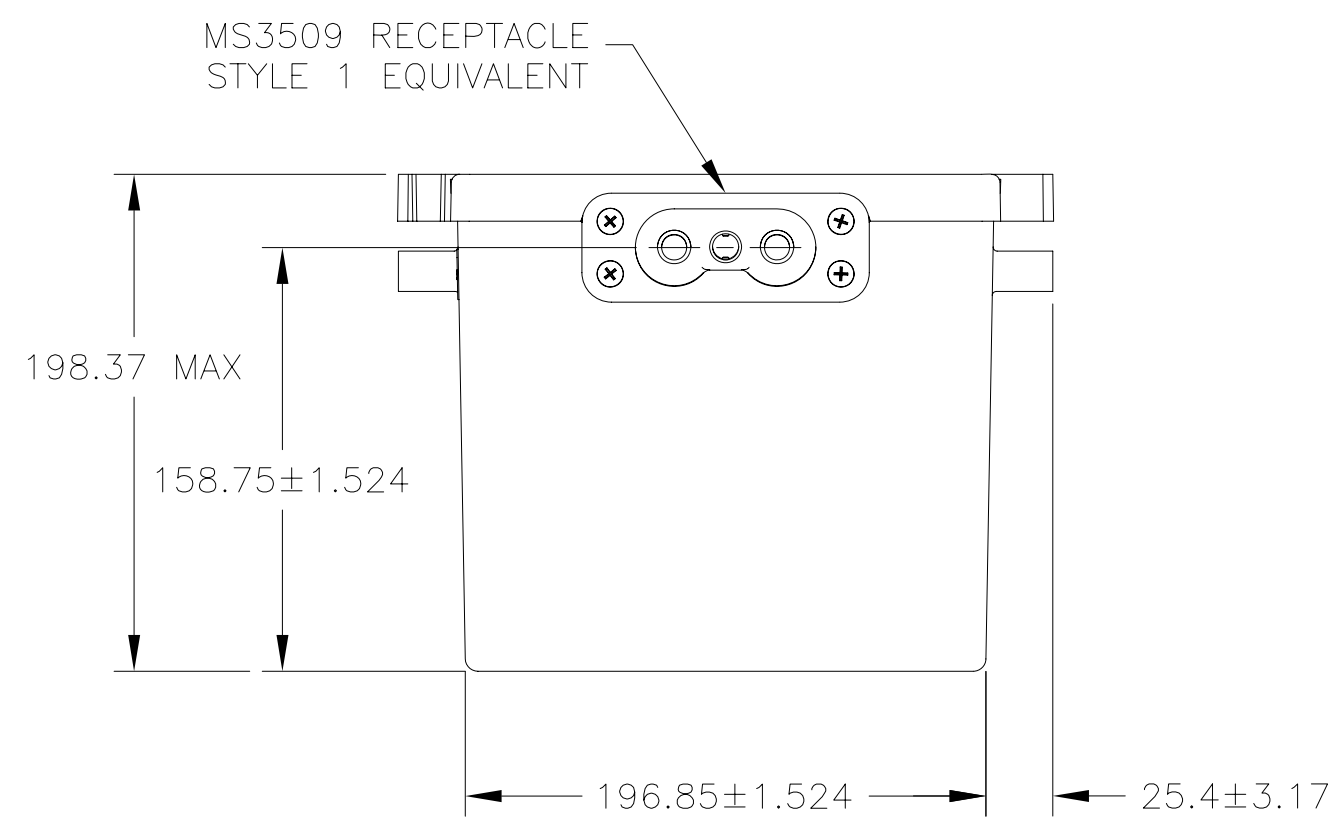
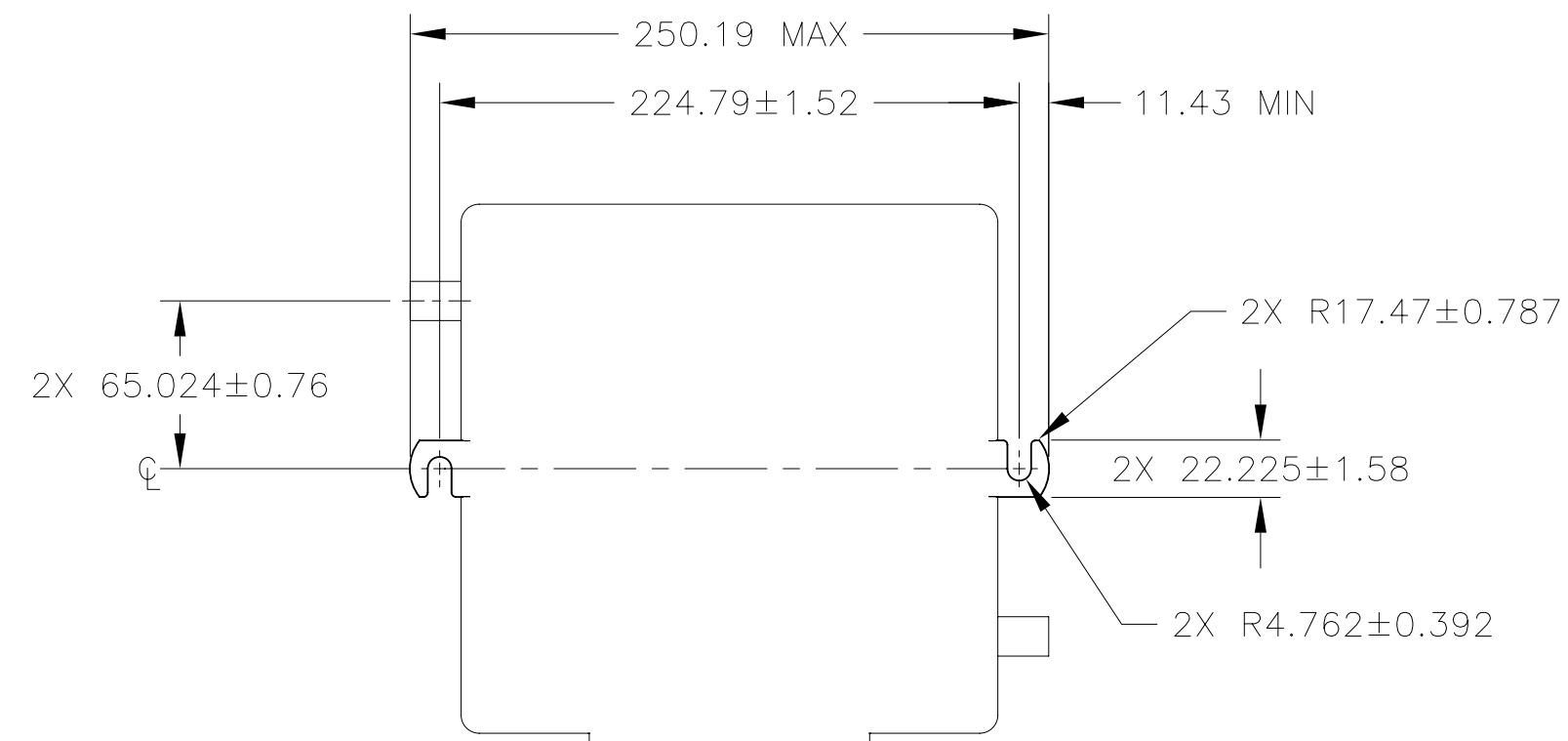


NOTES: UNLESS OTHERWISE SPECIFIED

1. BATTERY CONFORMS TO THE REQUIREMENTS OF MIL-PRF-8565 AND MIL-PRF-8565/11, QUALIFIED PRODUCTS LISTED
2. SEE DRAWING NO. CB-00172 AND PROCEDURE P-1000 FOR ASSEMBLY AND TEST INSTRUCTION. PROCEDURE AND ASSEMBLY DRAWINGS ARE FOR INTERNAL USE ONLY.
3. BATTERY WEIGHT: 15.8kg MAXIMUM
4. FOR DIMENSIONS NOT SHOWN, SEE MILITARY SPECIFICATION

REVISIONS			
REV	DESCRIPTION	DATE	APPROVED
A	REVISED DRAWING TO CURRENT	11/4/04	JBT
B	MIL-PRF-8565 WAS MIL-B-8565	3/25/10	JBT



ENVELOPE DRAWING

QTY REQD	CAGE CODE	PART OR IDENTIFYING NO.	NOMENCLATURE OR DESCRIPTION	MATERIAL SPECIFICATION	ITEM NO.
PARTS LIST					
UNLESS OTHERWISE SPECIFIED DIMENSIONS ARE IN MILLIMETERS TOLERANCES ARE: FRACTIONS DECIMALS ANGLES .XX ± .XXX ±			CONTRACT NO.		CONCORDE BATTERY CORPORATION 2009 SAN BERNARDINO RD, W. COVINA, CA 91790
TREATMENT NONE			APPROVALS DATE		TITLE BATTERY, STORAGE, AIRCRAFT, 24 VOLT, 10 AH
FINISH NONE			DRAWN R. ROWE 8/06/99		SIZE CAGE CODE DWG. NO. REV
SIMILAR TO			CHECKED AMIII 8/6/99		C 63017 D8565/11-1 B
ACT WT CALC WT			APPROVED JBT 8/10/99		SCALE NONE SHEET 1 OF 1
			ISSUED JJ 3/30/10		