

**TURBINE STARTING AIRCRAFT BATTERY**

**TSO AUTHORIZED**

**RG-390E/25 Series Specifications**

Voltage	24 Volts
Rated Capacity C <sub>1</sub>	25 AH
Maximum Weight	
RG-390E/25	53.0 LB / 24.0 KG
Durable Polypropylene Container with Vent Tubes	
RG-390E/25L	55.0 LB / 24.9 KG
Fire Resistant Aluminum Container, Vent Tubes & Temperature Sensor Mount	
RG-390E/25LS	57.0 LB / 25.9 KG
Fire Proof Stainless Steel Container, Vent Tubes & Temperature Sensor Mount	

*Specifications are subject to change without notice*

**IEC Rated for Peak Power (IPP)  
& 15 Second Power Rating (IPR)**

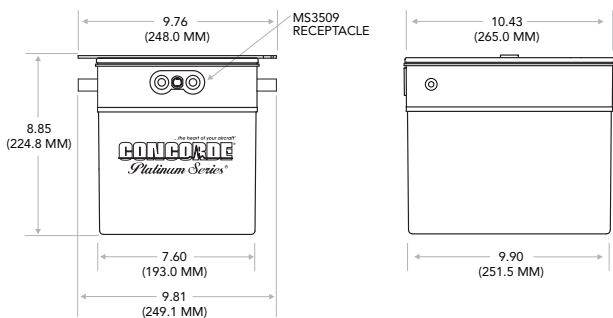
IPP	IPR	IPP	IPR	IPP	IPR
At 23° C (74° F)		At -18° C (0° F)		At -30° C (-22° F)	
1000 A	650 A	750 A	600 A	550 A	450 A

*Rated in accordance with International Standard 60952-1*

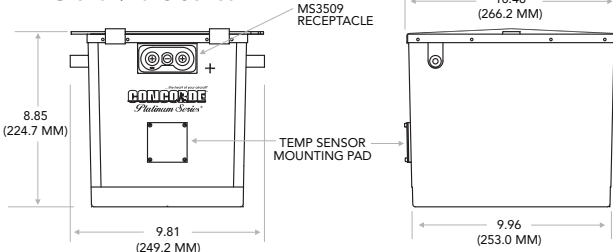
AS 9100 and ISO 9001

*The data/information contained herein has been reviewed & approved for general release on the basis that this document contains no export controlled information.*

**RG-390E/25 Series**



**RG-390E/25LS Series**



Concorde's superior Platinum Series® batteries have been proven reliable, durable and safe in turbine aircraft applications for more than two decades. Concorde's valve regulated sealed recombinant gas (RG®) Turbine Starting aircraft batteries are constructed with advanced lead acid, absorbed glass mat (AGM) technology.

- Dual Purpose – Reliable emergency or superior main starting power
- Low impedance design – Less internal resistance
- Maintenance Free – No water replenishment is required
- Proprietary PolyGuard® Separators – Added protection against shock & vibration
- Proven Technology – Dependable, durable and safe
- Safe – No threat of thermal runaway & no deep cycling
- Transport – Ship Hazmat Exempt whether by land, sea or air
- TSO Approved – FAA TSO-C173 approved
- Worldwide – Available through a professional network of worldwide distributors

Concorde designs and manufactures over 90 models of Original Equipment and direct replacement batteries for fixed wing and rotary aircraft and has a reputation for designing application specific solutions. Concorde batteries are installed as Original Equipment by the majority of aircraft manufacturers and adopted by military aircraft operators worldwide.

Manufacturing certified aircraft batteries for over 30 years:  
 Military, TSO, FAA-PMA , OEM



**RG-390E/25 Series**

RG-390E/25L