

EMERGENCY AIRCRAFT BATTERY

TSO AUTHORIZED

RG-129 Specifications

Voltage	24 Volts
Rated Capacity C ₁	3.8 AH
Maximum Weight	11.2 LB / 5.1 KG
Not Rated for Engine Starting	

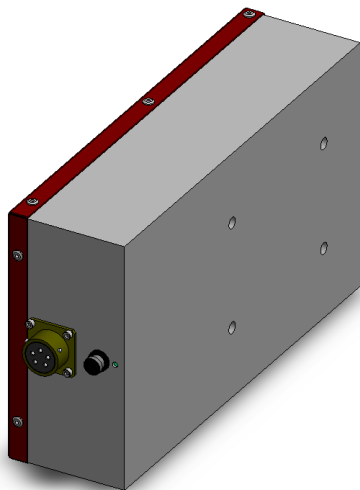
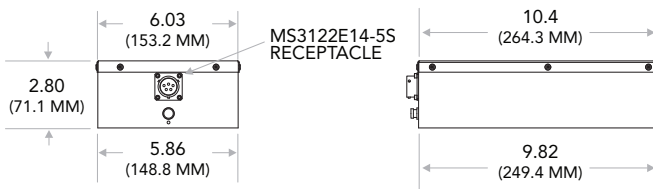
FEATURES

Internal DC Heater
MS 3320 7.5AH Circuit Breaker Output

Specifications are subject to change without notice

ISO 9001 + AS9100

The data/information contained herein has been reviewed & approved for general release on the basis that this document contains no export controlled information.



Standby and Emergency Power

Concorde's valve regulated sealed recombinant gas (RG®) Emergency / Standby batteries are constructed with advanced lead acid and absorbed glass mat (AGM) technology. Concorde's proven technology provides reliable performance that protects and extends the life of your avionics.

Designed to float directly on the DC buss which provides high inrush current resulting in fast recovery time and extended battery life. Concorde batteries are self regulating and will accept only the current required to maintain charge. There is no need for a dedicated charger.

The RG-129 is designed for enhanced cold weather performance. Heater blankets are interwoven between the cells and operate when the battery temperature drops below 60°F improving cold weather performance.

- Circuit Breaker – Limits output current to protect avionics (optional)
- Factory Tested - Assures airworthiness & installation readiness
- Maintenance Free – No addition of electrolyte or water ever required
- Proven Technology – Dependable, durable and safe
- Transport – Ships HAZMAT exempt
- TSO Approved - FAA TSO-C173 approved
- Worldwide – Available through a professional network of worldwide distributors

Concorde designs and manufactures over 90 models of Original Equipment and direct replacement batteries for fixed wing and rotary aircraft and has a reputation for designing application specific solutions. Concorde batteries are installed as Original Equipment by the majority of aircraft manufacturers and adopted by military aircraft operators worldwide.

Manufacturing certified aircraft batteries for over 40 years: Military, TSO, FAA-PMA, OEM