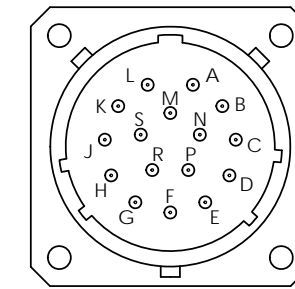
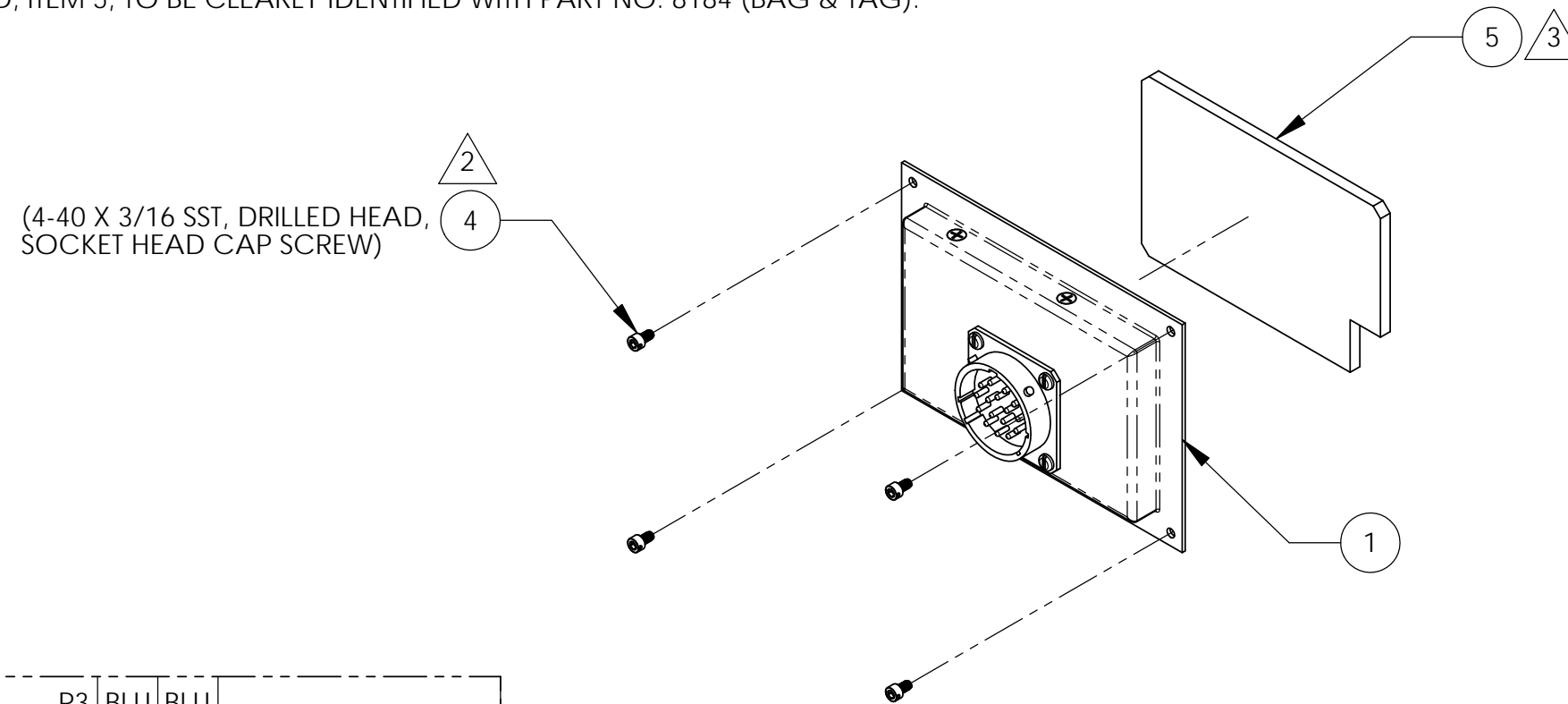


NOTES: UNLESS OTHERWISE SPECIFIED

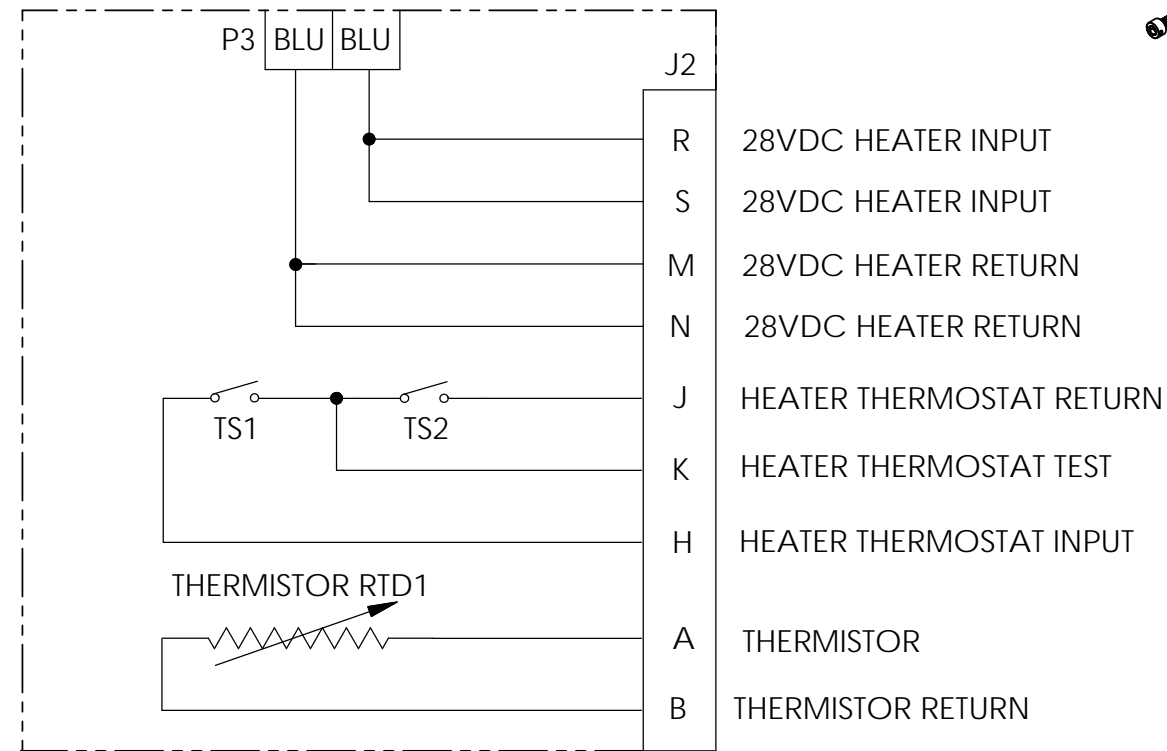
1. KIT TO BE PACKAGED AND CLEARLY IDENTIFIED USING KIT PACKAGING LABEL, ITEM 6.

2 SCREWS, ITEM 4, TO BE CLEARLY IDENTIFIED WITH PART NO. 6457 (BAG & TAG).

3 GAP PAD, ITEM 5, TO BE CLEARLY IDENTIFIED WITH PART NO. 8184 (BAG & TAG).



HCU-6 RECEPTACLE
MS27499E20B6P OR EQUAL



ELECTRICAL SCHEMATIC

REVISIONS			
REV	DESCRIPTION	DATE	APPROVED

QTY REQD	CAGE CODE	PART OR IDENTIFYING NO.	NOMENCLATURE OR DESCRIPTION	MATERIAL SPECIFICATION	ITEM NO.
1		6234-H6	LABEL, KIT PACKAGING		6
1		8184	GAP PAD, HEATER CONTROL UNIT, HCU SERIES		5
4		6457	SCREW, SOCKET HEAD, DRILLED, SST, 4-40 X .188		4
1		5-0601	CMM, HCU-6 HEATER CONTROL UNIT		3
1		5-0313	INSTALLATION INSTRUCTIONS, HCU		2
1		HCU-6	HEATER CONTROL UNIT, HCU-6		1

PARTS LIST

UNLESS OTHERWISE SPECIFIED DIMENSIONS ARE IN INCHES TOLERANCES ARE:		This document contains data which is PROPRIETARY to Concorde Battery Corp. Any use thereof is subject to the proprietary interest of Concorde. No data is to be disclosed to others without the written permission of Concorde Battery Corp.		CONCORDE BATTERY CORPORATION 2009 SAN BERNARDINO RD, W. COVINA, CA 91790	
FRACTIONS	DECIMALS	ANGLES	APPROVALS	DATE	TITLE
±	.XX ± .XXX ±	± °	DRAWN A. MISTRETTA	6/6/16	KIT, HEATER CONTROL UNIT, HCU-6
TREATMENT	NONE	CHECKED	NS	6/13/16	SIZE B
FINISH	NONE	APPROVED	PH	6/13/16	CAGE CODE 63017
SIMILAR TO	CALC WT	ISSUED	JG	6/13/16	DWG NO. 5-0600
				SCALE 1:2	REV 1
				SHEET 1 OF 1	