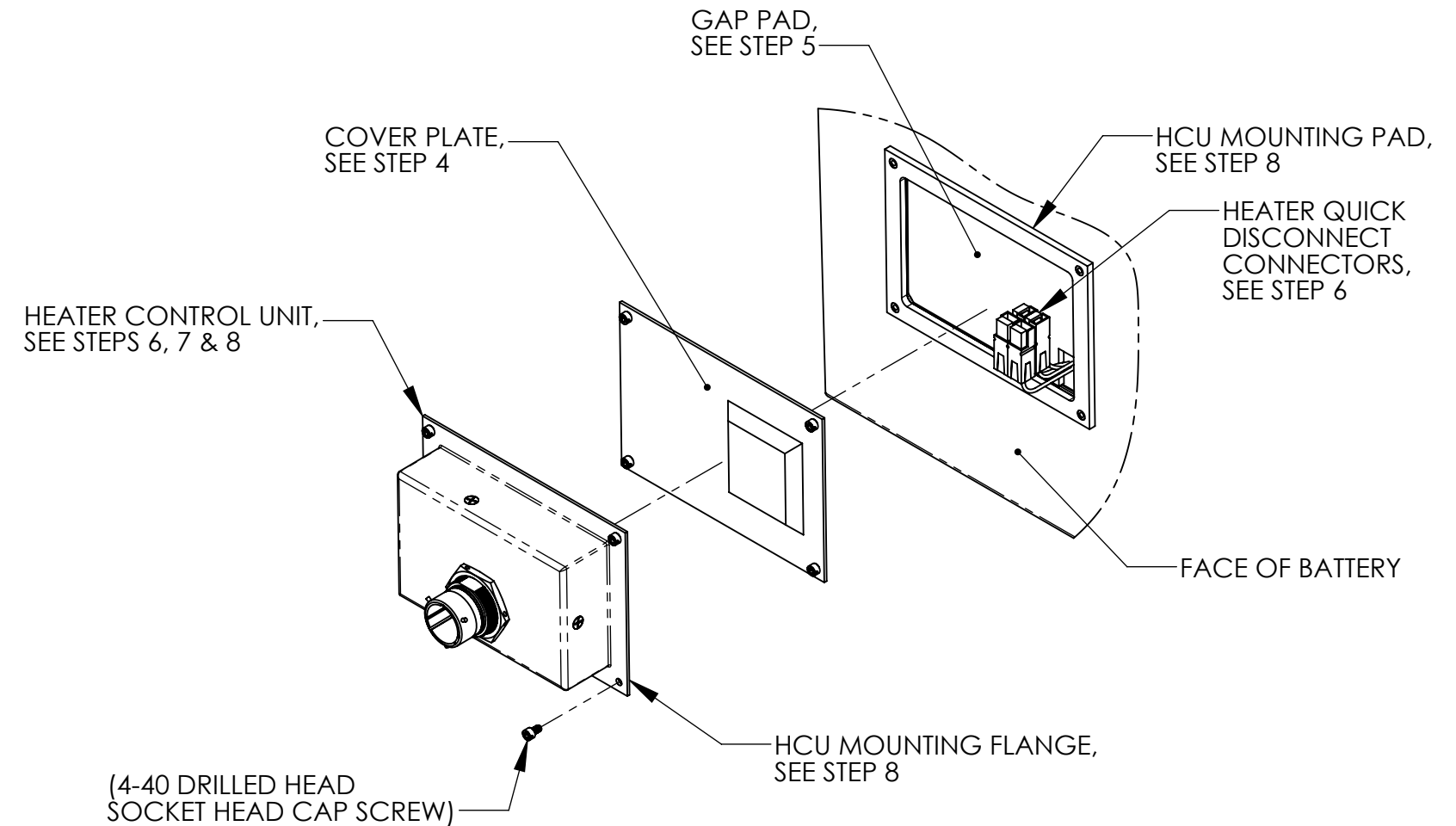


INSTALLATION INSTRUCTIIONS:

1. INSTALLATION OF THE HEATER CONTROL UNIT (HCU) MAY BE ACCOMPLISHED BY ANY AIRFRAME CERTIFIED AIRCRAFT MAINTENANCE TECHNICIAN.
2. TOOLS REQUIRED: ALLEN WRENCH SET, TORQUE WRENCH, SAFETY WIRE AND WIRE TWISTER PLIERS.
3. CHECK CONTENTS OF HCU TO ENSURE ALL NECESSARY PARTS ARE INCLUDED. NOTE: HCU TYPES MAY DIFFER IN STYLE AND MAY NOT APPEAR AS SHOWN IN ILLUSTRATION.
4. REMOVE THE COVER PLATE FROM THE BATTERY AND DISCARD.
5. INSPECT THE GAP PAD THAT IS CURRENTLY INSTALLED ON THE BATTERY FOR ANY SIGNS OF DAMAGE (NICKS, TEARS, ETC.) OR EXCESSIVE WEAR. IF MATERIAL SHOWS SIGNS OF DAMAGE OR WEAR, REMOVE AND REPLACE IT.
- 5A. GAP PAD REMOVAL IS ACCOMPLISHED BY PULLING IT AWAY FROM THE THE FACE OF THE BATTERY.
- 5B. PREPARE THE REPLACEMENT GAP PAD BY REMOVING THE "BLUE" PROTECTIVE LINER THAT IS PROTECTING THE NATURAL TACK SIDE OF THE MATERIAL. THE NATURAL TACK HELPS HOLD THE MATERIAL IN PLACE WHEN REPLACING THE HCU.
- 5C. INSTALL THE NEW GAP PAD ONTO THE BATTERY MAKING SURE THAT THE SIDE WITH THE NATURAL TACK IS IN CONTACT WITH THE FACE OF THE BATTERY. THE NOTCH THAT IS CUT INTO THE MATERIAL NEEDS TO BE ORIENTED SO THAT IT WILL BE IN THE LOWER RIGHT HAND CORNER AS SHOWN.
6. CONNECT THE HCU AND BATTERY HEATER QUICK DISCONNECT CONNECTORS. THE CONNECTORS ARE KEYED SO THEY WILL ONLY MATE IN THE PROPER ORIENTATION.
7. SECURE HCU TO THE BATTERY WITH FOUR (4) DRILLED HEAD SCREWS (REUSE COVER PLATE RETAINING SCREWS, OR USE SCREWS PROVIDED IN KIT). TORQUE SCREWS TO 6 IN-LBS (0.7 N-m) AND SAFETY WIRE PER AC43.13-1. USE .0200"(0.51mm) DIA SAFETY WIRE (LOCK WIRE).
8. IF A SEAL BETWEEN THE HCU AND HCU MOUNTING PAD IS DESIRED, PROCEED AS FOLLOWS. AFTER INSTALLING HCU AS DETAILED ABOVE, APPLY A THIN LAYER OF A NON-PERMANENT SILICONE BASED ADHESIVE/SEALANT AROUND THE OUTER PERIMETER OF THE HCU MOUNTING FLANGE AND HCU MOUNTING PAD. FOLLOW MANUFACTURERS RECOMMENDATIONS FOR USE OF ADHESIVE/SEALANT.
9. MAKE AN ENTRY IN AIRCRAFT LOG BOOK RECORDING THE INSTALLATION OF THE HCU.

REVISIONS			
REV	DESCRIPTION	DATE	APPROVED
A	ADDED INSTRUCTIONS FOR INSPECTING/REPLACING GAP PAD, AND ADDED OPTIONAL SEALING OF HCU MTG FLANGE AROUND HCU MTG PLATE, REVISED ASSY DETAIL	12/9/11	JBT



NOTE: SAFETY WIRE NOT SHOWN FOR CLARITY

UNLESS OTHERWISE SPECIFIED DIMENSIONS ARE IN INCHES TOLERANCES ARE:			This document contains data which is PROPRIETARY to Concorde Battery Corp. Any use thereof is subject to the proprietary interest of Concorde. No data is to be disclosed to others without the written permission of Concorde Battery Corp.			CONCORDE BATTERY CORPORATION 2009 SAN BERNARDINO RD, W. COVINA, CA 91790			
FRACTIONS	DECIMALS	ANGLES	APPROVALS		DATE	TITLE			
±	.XX ± .XXX ±	±°	DRAWN	D. AYALA	1/27/11	INSTALLATION INSTRUCTIONS, HCU			
TREATMENT	NONE		CHECKED	AMIII	2/7/11	SIZE	CAGE CODE	DWG NO.	REV
FINISH	NONE		APPROVED	JBT	2/7/11	B	63017	5-0313	A
SIMILAR TO	CALC WT		ISSUED	BT	12/9/11	SCALE	3:8	SHEET	1 OF 1