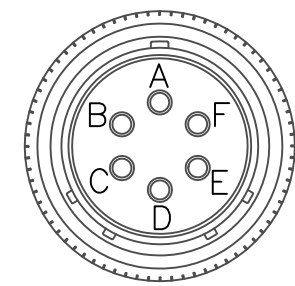
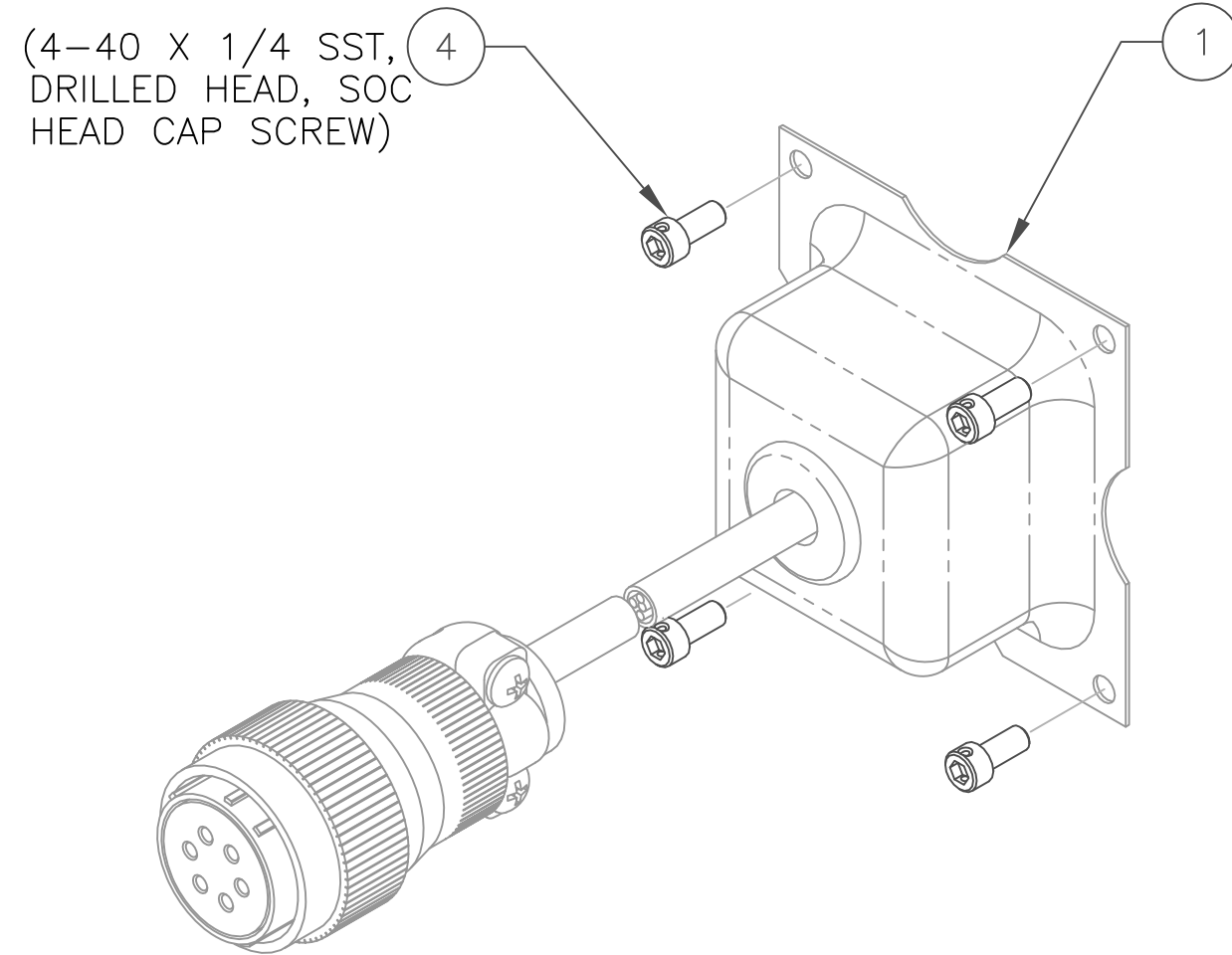


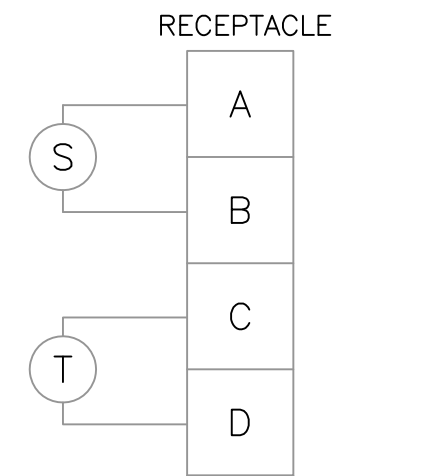
NOTES: UNLESS OTHERWISE SPECIFIED

1. KIT TO BE PACKAGED AND CLEARLY IDENTIFIED.

REVISIONS			
REV	DESCRIPTION	DATE	APPROVED



TS-C10 RECEPTACLE:  
MS3126F10-6S OR EQUAL



SCHEMATIC DIAGRAM

QTY REQD	CAGE CODE	PART OR IDENTIFYING NO.	NOMENCLATURE OR DESCRIPTION	MATERIAL SPECIFICATION	ITEM NO.
4		6429	SCREW, CAP, DRILLED SOCKET HD		4
1		5-0264	ICA TS-C10 TEMP SENSOR		3
1		5-0117	INSTALLATION INSTRUCTION		2
1		9913-1	TS-C10 TEMP SENSOR ASSY		1

PARTS LIST

UNLESS OTHERWISE SPECIFIED DIMENSIONS ARE IN INCHES TOLERANCES ARE: FRACTIONS    DECIMALS    ANGLES .XX ± .XXX ±			CONTRACT NO. NA		CONCORDE BATTERY CORPORATION 2009 SAN BERNARDINO RD, W. COVINA, CA 91790			
TREATMENT NONE			APPROVALS		DATE		TITLE KIT, TEMPERATURE SENSOR, TS-C10	
FINISH NONE			DRAWN    D. AYALA		11/21/05		CHECKED    AMIII	
SIMILAR TO NA			ACT WT NA		CALC WT NA		APPROVED    JBT	
			ISSUED    NS		11/29/05		11/22/05	
					SIZE B		CAGE CODE 63017	
					DWG NO. 5-0263		REV	
					SCALE NONE		SHEET    1    OF    1	

ENGINEERING COPY 29NOV05