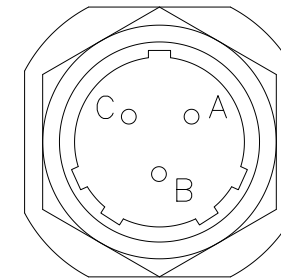
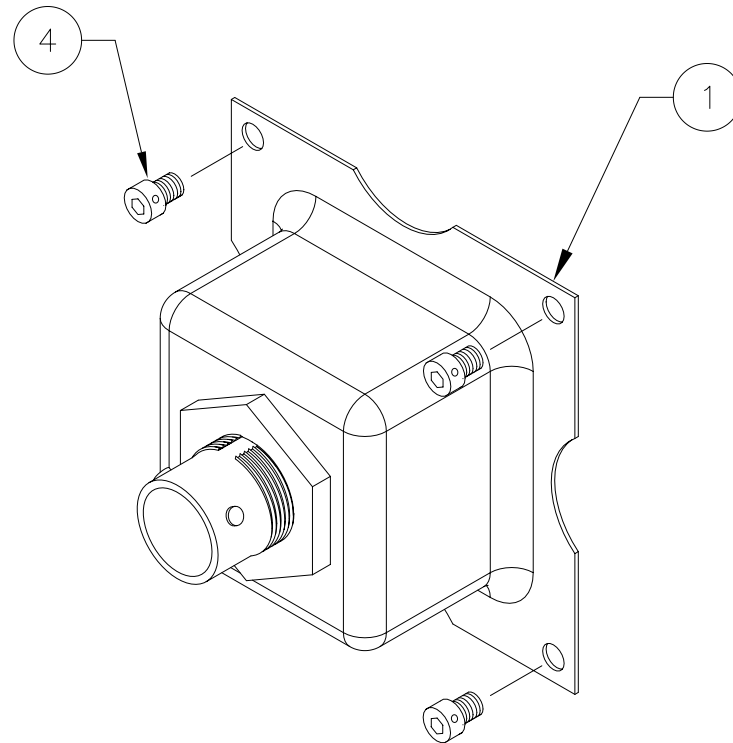


NOTES: UNLESS OTHERWISE SPECIFIED

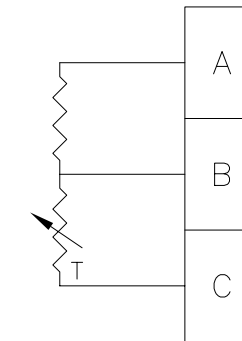
1. KIT TO BE PACKAGED AND CLEARLY IDENTIFIED.
2. TS-C6 IS EQUIVALENT TO FOXTRONICS BATTERY TEMP SENSOR P600-14B.
3. MATES WITH FOXTRONICS TEMPERATURE INDICATORS:
 SINGLE DIGITAL DISPLAY, DBTI-2001
 DUAL DIGITAL DISPLAY, DBTI-2002
 ANALOG DISPLAY, BTI-600(SERIES)

REVISIONS			
REV	DESCRIPTION	DATE	APPROVED
A	ADDED ITEM 4	6/12/03	JBT

(4-40 X 1/8 SST,
 DRILLED HEAD, SOC
 HEAD CAP SCREW)



RECEPTACLE PW0-07P8-3P-SPL
 OR PT07E8-3P



SCHEMATIC DIAGRAM

QTY REQD	CAGE CODE	PART OR IDENTIFYING NO.	NOMENCLATURE OR DESCRIPTION	MATERIAL SPECIFICATION	ITEM NO.
4		6424	SCREW, CAP, DRILLED SOCKET HD		4
1		5-0135	TEST INSTRUCTION, TS-C6		3
1		5-0117	INSTALLATION INSTRUCTION		2
1		9958	TEMPERATURE SENSOR ASSEMBLY		1

PARTS LIST

UNLESS OTHERWISE SPECIFIED DIMENSIONS ARE IN INCHES TOLERANCES ARE:			CONTRACT NO. NA		CONCORDE BATTERY CORPORATION 2099 SAN BERNARDINO RD, W. COVINA, CA 91790			
FRACTIONS	DECIMALS	ANGLES	APPROVALS	DATE	TITLE KIT, TEMPERATURE SENSOR, TS-C6			
	.XX ±		DRAWN J. TIMMONS	2/28/02				
	.XXX ±		CHECKED HRF	3/1/02	SIZE	CAGE CODE	DWG NO.	REV
TREATMENT	NONE		APPROVED JBT	3/10/02	B	63017	5-0125	A
FINISH	NONE		ISSUED AT	6/13/03	SCALE	NONE		SHEET 1 OF 1
SIMILAR TO NA	ACT WT NA	CALC WT NA						

ENGINEERING COPY 13JUN03

The data/information contained herein has been reviewed and approved for general release on the basis that this document contains no export-controlled information.