

NOTES: UNLESS OTHERWISE SPECIFIED

1. KIT TO BE PACKAGED AND CLEARLY IDENTIFIED USING KIT PACKAGING LABEL, ITEM 6.

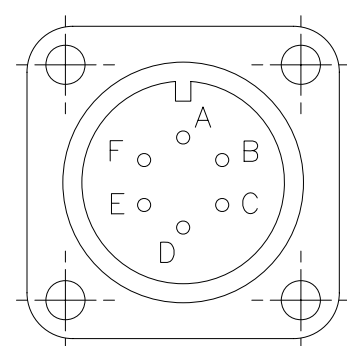
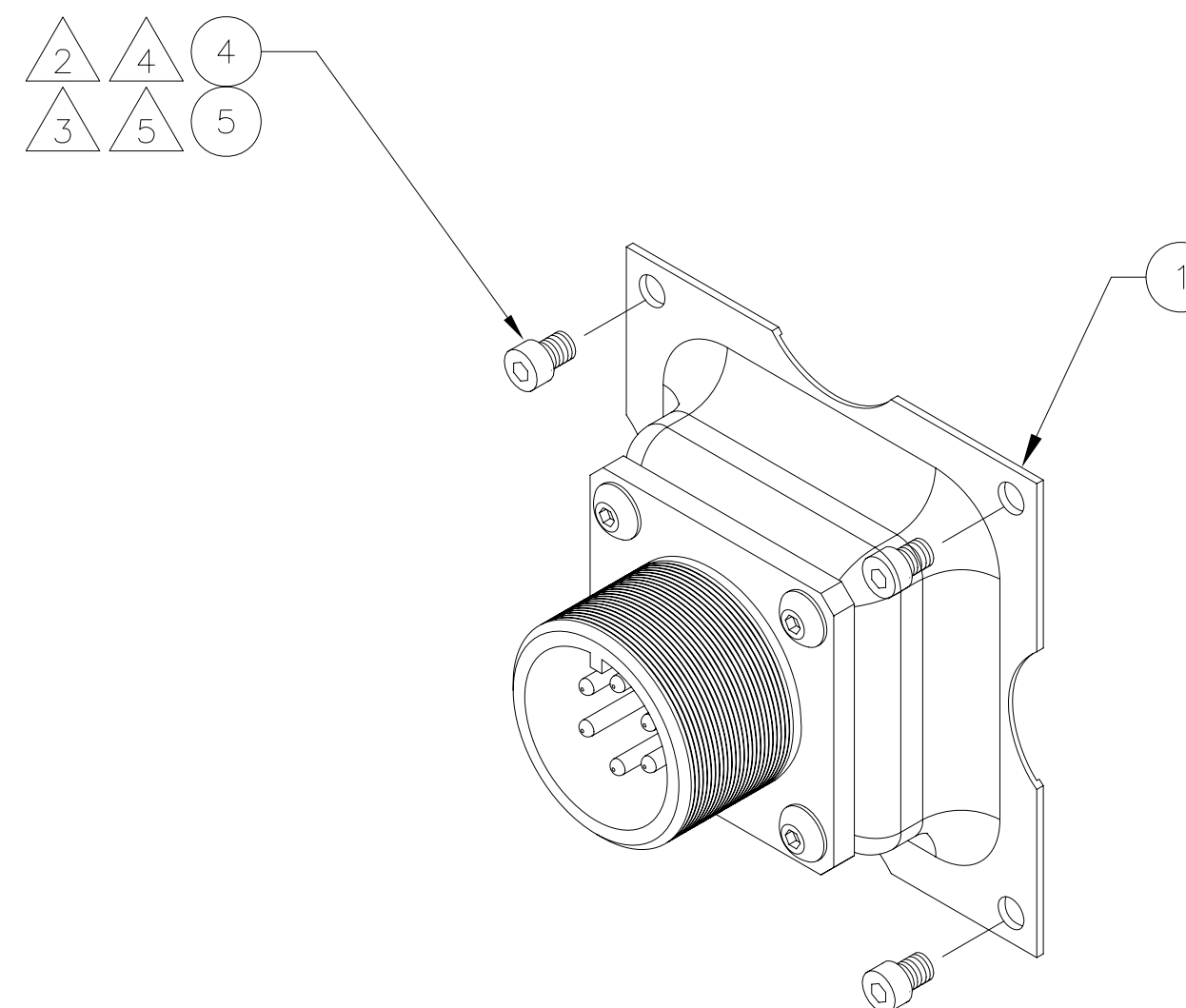
2 SCREWS, ITEM 4, TO BE CLEARLY IDENTIFIED WITH PART NO. 6424 (BAG AND TAG).

3 SCREWS, ITEM 5, TO BE CLEARLY IDENTIFIED WITH PART NO. 6457 (BAG AND TAG).

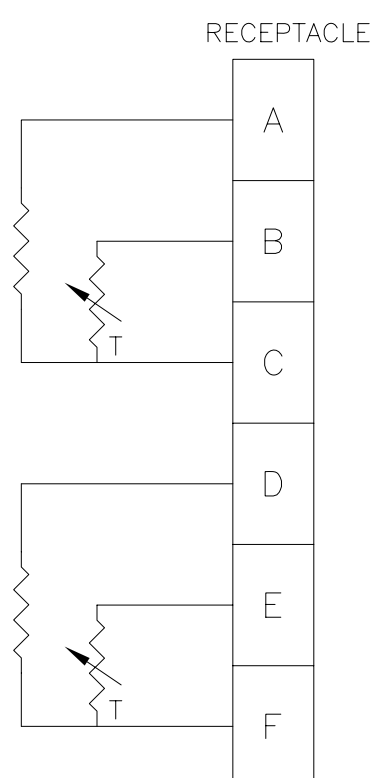
4 RG-380E/L SERIES OR RE-390E/L SERIES BATTERIES:
USE SCREWS, ITEM 4, PN 6424, WHEN MOUNTING SENSOR, ITEM 1, TO BATTERY.
DISCARD SCREWS, ITEM 5, PN 6457, THEY ARE NOT REQUIRED.

5 RG-441 OR RG-442 BATTERIES:
USE SCREWS, ITEM 5, PN 6457, WHEN MOUNTING SENSOR, ITEM 1, TO BATTERY.
DISCARD SCREWS, ITEM 4, PN 6424, THEY ARE NOT REQUIRED.

REVISIONS			
REV	DESCRIPTION	DATE	APPROVED
A	ADDED MOUNTING HARDWARE, CREATED TWO VERSIONS	9/30/04	JBT
B	REV TO SHORT HOUSING	10/10/07	JBT
C	ITEM 5 WAS 6429	12/3/07	JBT
D	ADDED ITEM 6 & NOTES 3-5, REV ITEM 1 & NOTES 1 & 2, UPDATED PL DESCP, DEL DASH NO.'S, DWG WAS B-SIZE	10/27/11	JBT



RECEPTACLE
MS3102R14S-6P



SCHEMATIC DIAGRAM

QTY REQD	CAGE CODE	PART OR IDENTIFYING NO.	NOMENCLATURE OR DESCRIPTION	MATERIAL SPECIFICATION	ITEM NO.
1		6234-4	LABEL, KIT PACKAGING		6
4		6457	SCREW, SOCKET HEAD, DRILLED, SST, 4-40 X .188	(4-40 X 3/16)	5
4		6424	SCREW, CAP, SOCKET HEAD, DRILLED, SST	(4-40 X 1/8)	4
1		5-0133	ICA, TS-C4 SERIES		3
1		5-0117	INSTALLATION INSTRUCTION, L SERIES SENSORS		2
1		TS-C4	TS-C4 TEMPERATURE SENSOR ASSEMBLY		1

PARTS LIST					
UNLESS OTHERWISE SPECIFIED DIMENSIONS ARE IN INCHES TOLERANCES ARE:		This document contains data which is PROPRIETARY to Concorde Battery Corp. Any use thereof is subject to the proprietary interest of Concorde. No data is to be disclosed to others without the written permission of Concorde Battery Corp.		CONCORDE BATTERY CORPORATION 2009 SAN BERNARDINO RD, W. COVINA, CA 91790	
FRACTIONS	DECIMALS	ANGLES	APPROVALS	DATE	TITLE
±	.XX ±	±	DRAWN A. MISTRETTA	2/27/02	KIT, TEMPERATURE SENSOR, TS-C4
	.XXX ±		CHECKED HRF	3/15/02	SIZE C
TREATMENT	NONE		APPROVED JBT	3/18/02	CAGE CODE 63017
FINISH	NONE		ISSUED BT	10/27/11	DWG NO. 5-0124
SIMILAR TO	ACT WT	CALC WT			REV D
					SCALE NONE
					SHEET 1 OF 1