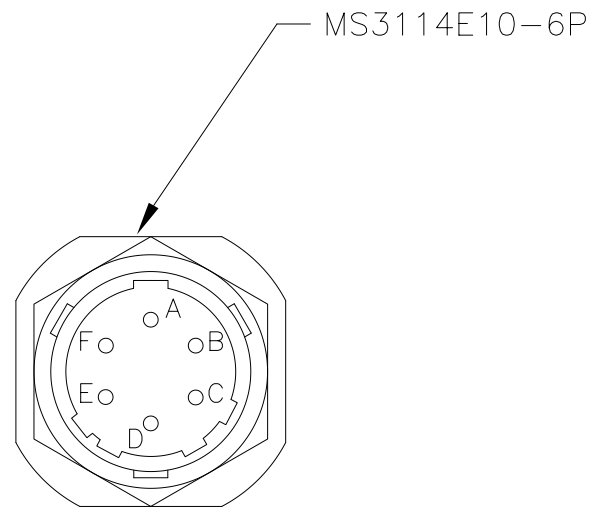
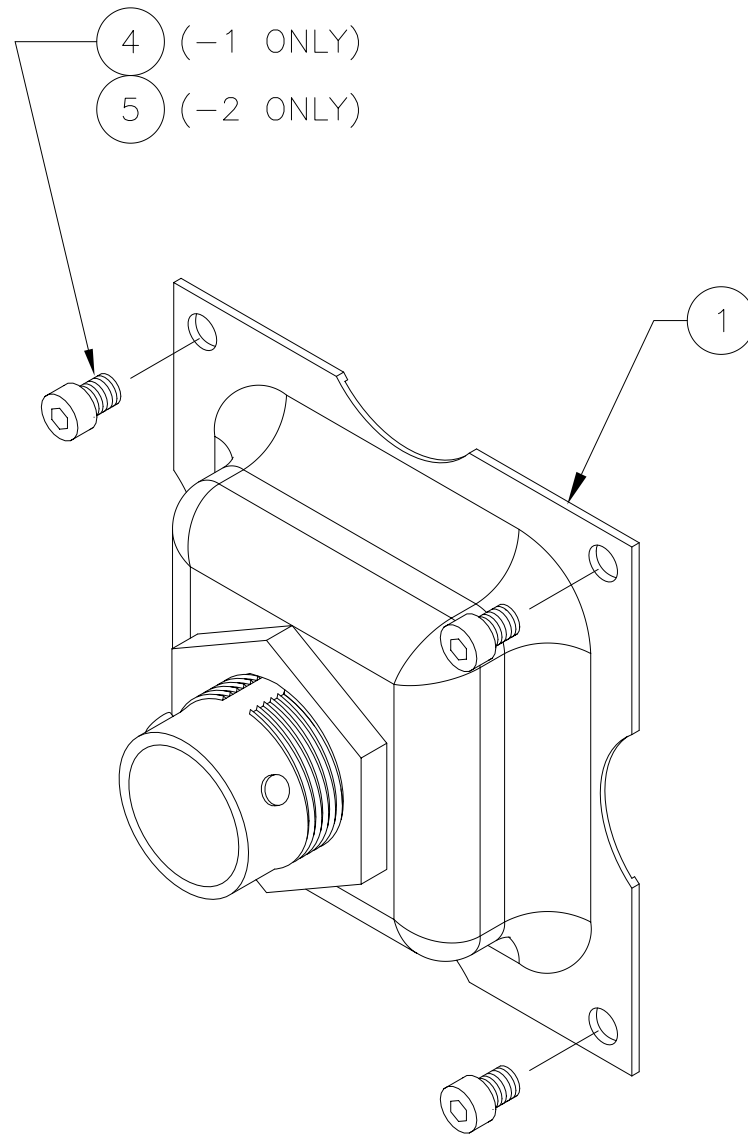


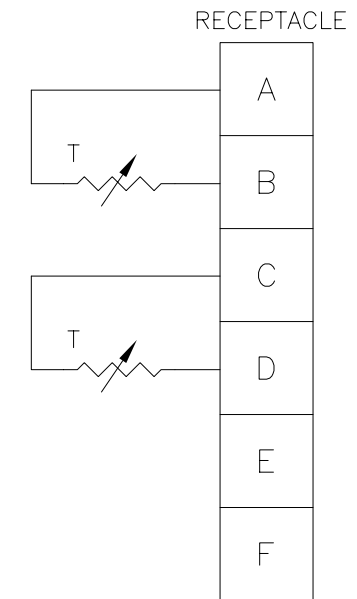
NOTES: UNLESS OTHERWISE SPECIFIED

1. KIT TO BE PACKAGED AND CLEARLY IDENTIFIED.
2. 5-0123-1 INCLUDES HARDWARE FOR MOUNTING TO RG-380E/L AND RG-390E/L SERIES.
5-0123-2 INCLUDES HARDWARE FOR MOUNTING TO RG-441 AND RG-442.

REVISIONS			
REV	DESCRIPTION	DATE	APPROVED
A	ADDED MOUNTING HARDWARE, CREATED TWO VERSIONS	9/30/04	JBT
B	REVISED TO SHORT STYLE HOUSING	11/15/07	JBT
C	ITEM 5 WAS 6429	12/3/07	JBT



RECEPTACLE MS3114E10-6P



SCHEMATIC DIAGRAM

-2	-1	CAGE CODE	PART OR IDENTIFYING NO.	NOMENCLATURE OR DESCRIPTION	MATERIAL SPECIFICATION	ITEM NO.
4			6457	SCREW, CAP, DRILLED SOCKET HD	4-40 X 3/16 SST	5
	4		6424	SCREW, CAP, DRILLED SOCKET HD	4-40 X 1/8 SST	4
1	1		5-0132	TEST INSTRUCTION, TS-C3		3
1	1		5-0117	INSTALLATION INSTRUCTION		2
1	1		9956	TEMPERATURE SENSOR ASSEMBLY		1

PARTS LIST

UNLESS OTHERWISE SPECIFIED DIMENSIONS ARE IN INCHES TOLERANCES ARE: FRACTIONS DECIMALS ANGLES .XX ± .XXX ±			CONTRACT NO. NA		CONCORDE BATTERY CORPORATION 2009 SAN BERNARDINO RD, W. COVINA, CA 91790			
TREATMENT NONE			APPROVALS	DATE	TITLE KIT, TEMPERATURE SENSOR, TS-C3			
FINISH NONE			DRAWN A. MISTRETTA	2/27/02	SIZE CAGE CODE DWG NO. REV B 63017 5-0123 C			
SIMILAR TO NA		ACT WT NA	ISSUED	NS	12/4/07	SCALE NONE	SHEET 1 OF 1	