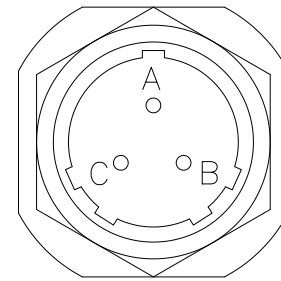
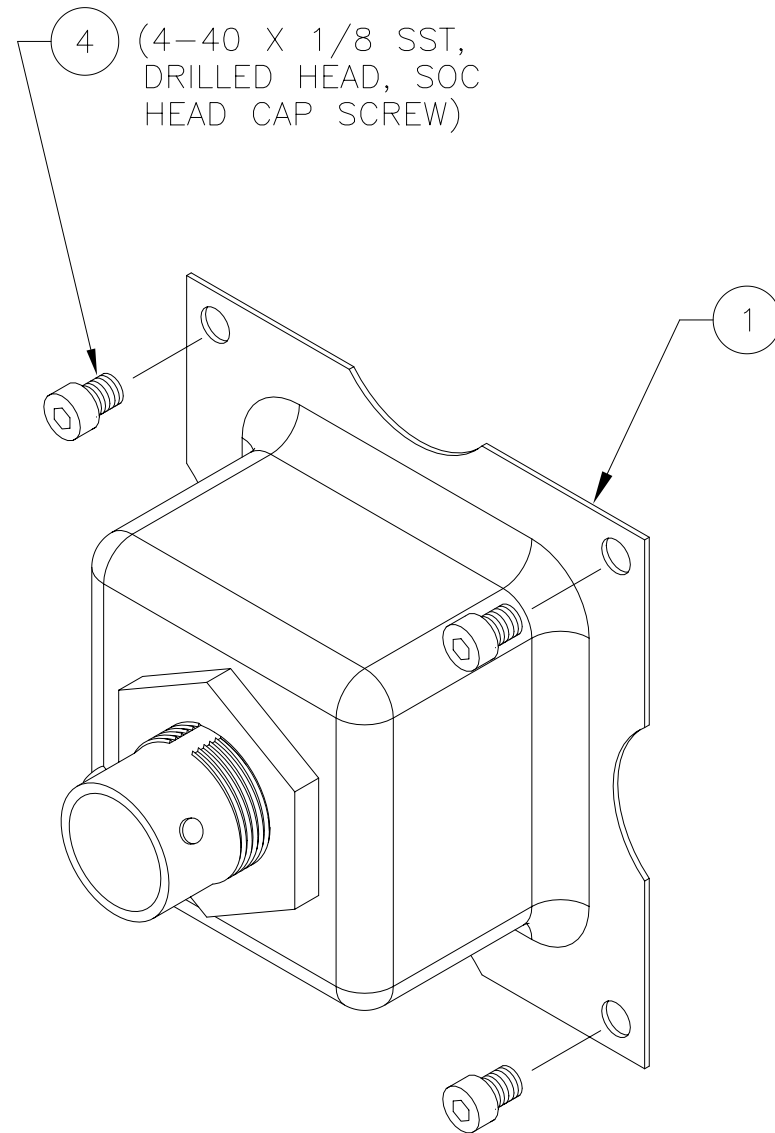


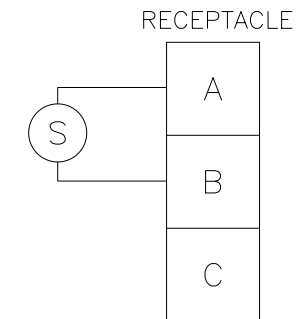
NOTES: UNLESS OTHERWISE SPECIFIED

1. KIT TO BE PACKAGED AND CLEARLY IDENTIFIED.

REVISIONS			
REV	DESCRIPTION	DATE	APPROVED
A	REMOVED LABEL, ADDED 6424	9/30/04	JBT



RECEPTACLE MS3474L8-33P



SCHEMATIC DIAGRAM

QTY REQD	CAGE CODE	PART OR IDENTIFYING NO.	NOMENCLATURE OR DESCRIPTION	MATERIAL SPECIFICATION	ITEM NO.
4		6424	SCREW, CAP, DRILLED SOCKET HD		4
1		5-0131	TEST INSTRUCTION, TS-C2A		3
1		5-0117	INSTALLATION INSTRUCTION		2
1		9955	TEMPERATURE SENSOR ASSEMBLY		1

PARTS LIST

UNLESS OTHERWISE SPECIFIED DIMENSIONS ARE IN INCHES TOLERANCES ARE: FRACTIONS DECIMALS ANGLES .XX ± .XXX ±			CONTRACT NO. NA		CONCORDE BATTERY CORPORATION 2099 SAN BERNARDINO RD, W. COVINA, CA 91790			
TREATMENT NONE			APPROVALS	DATE	TITLE KIT, TEMPERATURE SENSOR, TS-C2A			
FINISH NONE			DRAWN A MISTRETTA	2/27/01	SIZE CAGE CODE DWG NO. REV B 63017 5-0122 A			
SIMILAR TO NA			ACT WT NA	CALC WT NA	ISSUED AT	10/1/04	SCALE NONE	SHEET 1 OF 1

ENGINEERING COPY 01OCT04

The data/information contained herein has been reviewed and approved for general release on the basis that this document contains no export-controlled information.