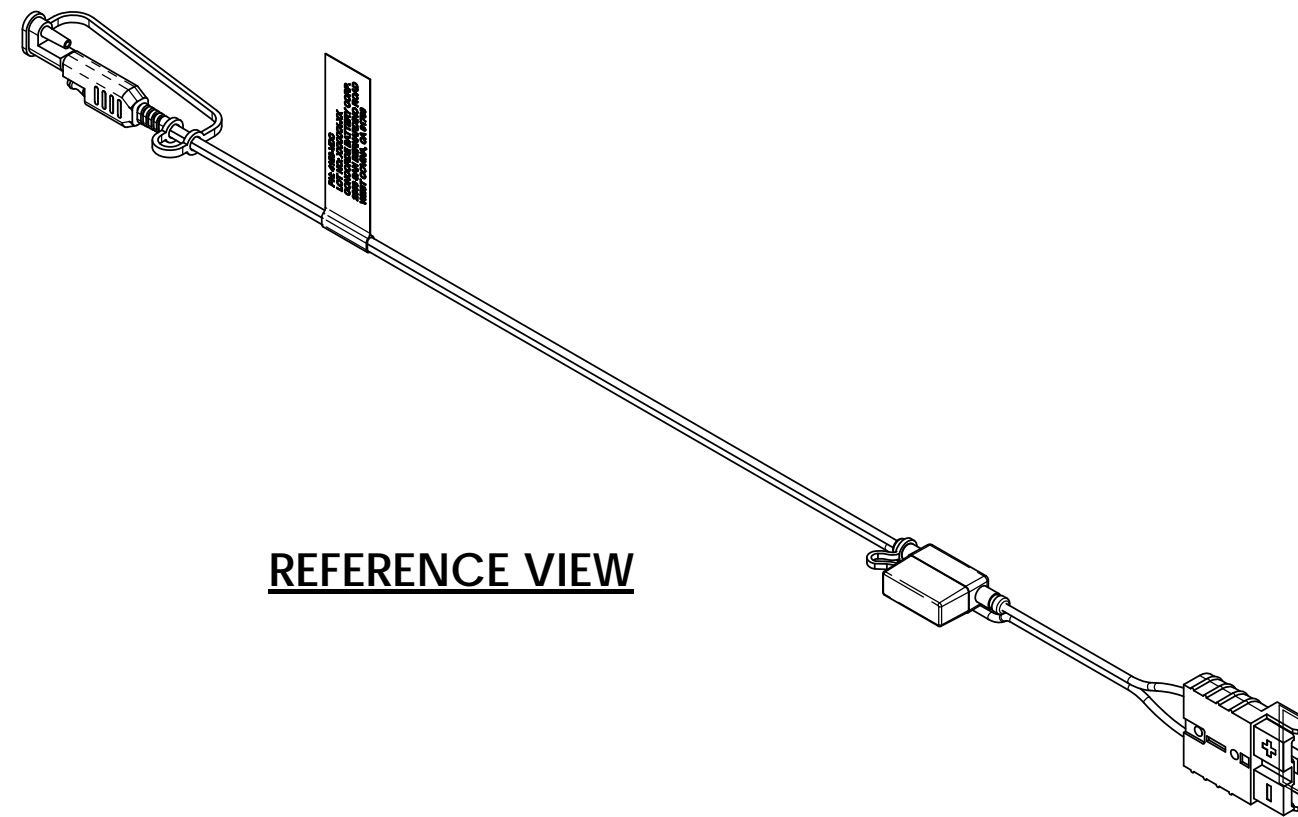


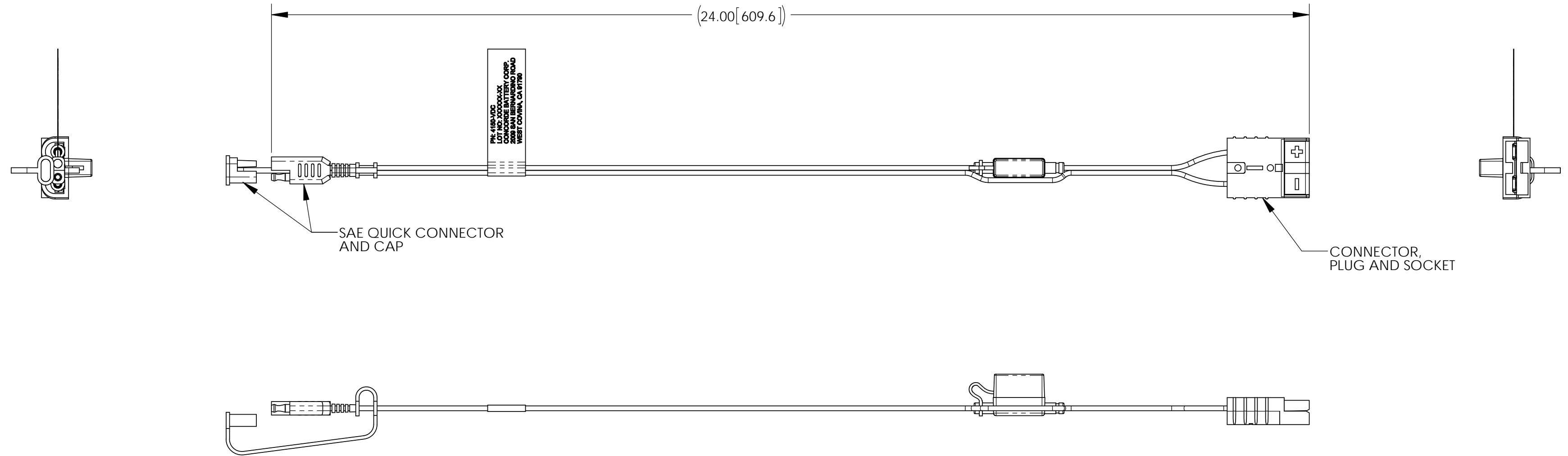
NOTES: UNLESS OTHERWISE SPECIFIED

1. REFER TO DRAWING 900000 FOR ASSEMBLY AND TEST INSTRUCTION.
PROCEDURE AND ASSEMBLY DRAWINGS ARE FOR INTERNAL USE ONLY.

REVISIONS			
REV	DESCRIPTION	DATE	APPROVED



REFERENCE VIEW



PK: 4150-VDC
LOT NO: 00000000
DATE: 10/21/14
2009 SAN BERNARDINO RD
WEST COVINA, CA 91790

SAE QUICK CONNECTOR
AND CAP

CONNECTOR,
PLUG AND SOCKET

UNLESS OTHERWISE SPECIFIED DIMENSIONS ARE IN INCHES TOLERANCES ARE:			This document contains data which is PROPRIETARY to Concorde Battery Corp. Any use thereof is subject to the proprietary interest of Concorde. No data is to be disclosed to others without the written permission of Concorde Battery Corp.		CONCORDE BATTERY CORPORATION 2009 SAN BERNARDINO RD, W. COVINA, CA 91790		
FRACTIONS	DECIMALS	ANGLES	APPROVALS	DATE	TITLE		
±	.XX ± .03 .XXX ± .015	± °	DRAWN D. AYALA	9/4/14	INTERMEDIATE CHARGE ADAPTER CABLE, VDC		
TREATMENT	NONE		CHECKED NS	10/21/14	SIZE	CAGE CODE	DWG NO.
FINISH	NONE		APPROVED JBT	10/30/14	C	63017	4150-VDC
SIMILAR TO	CALC WT		ISSUED BJ	10/31/14	SCALE	1:2	SHEET 1 OF 1