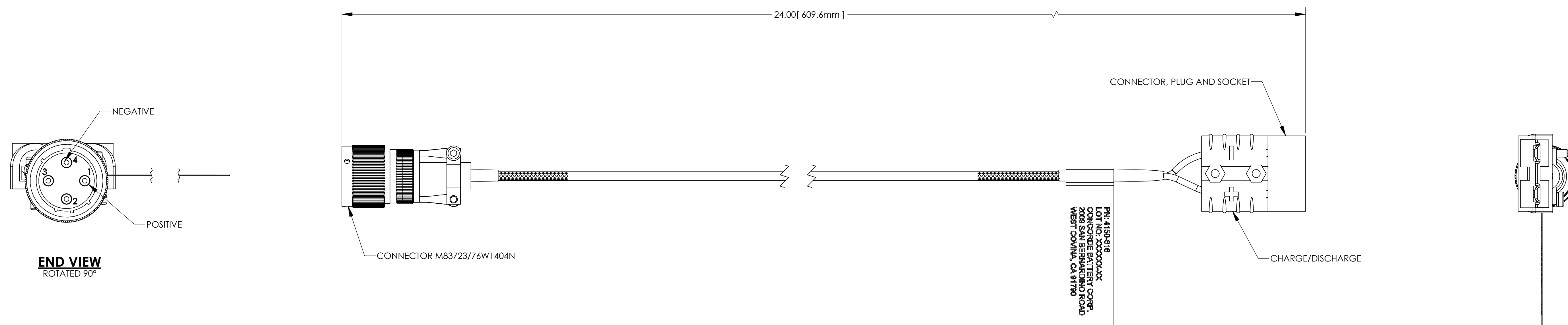
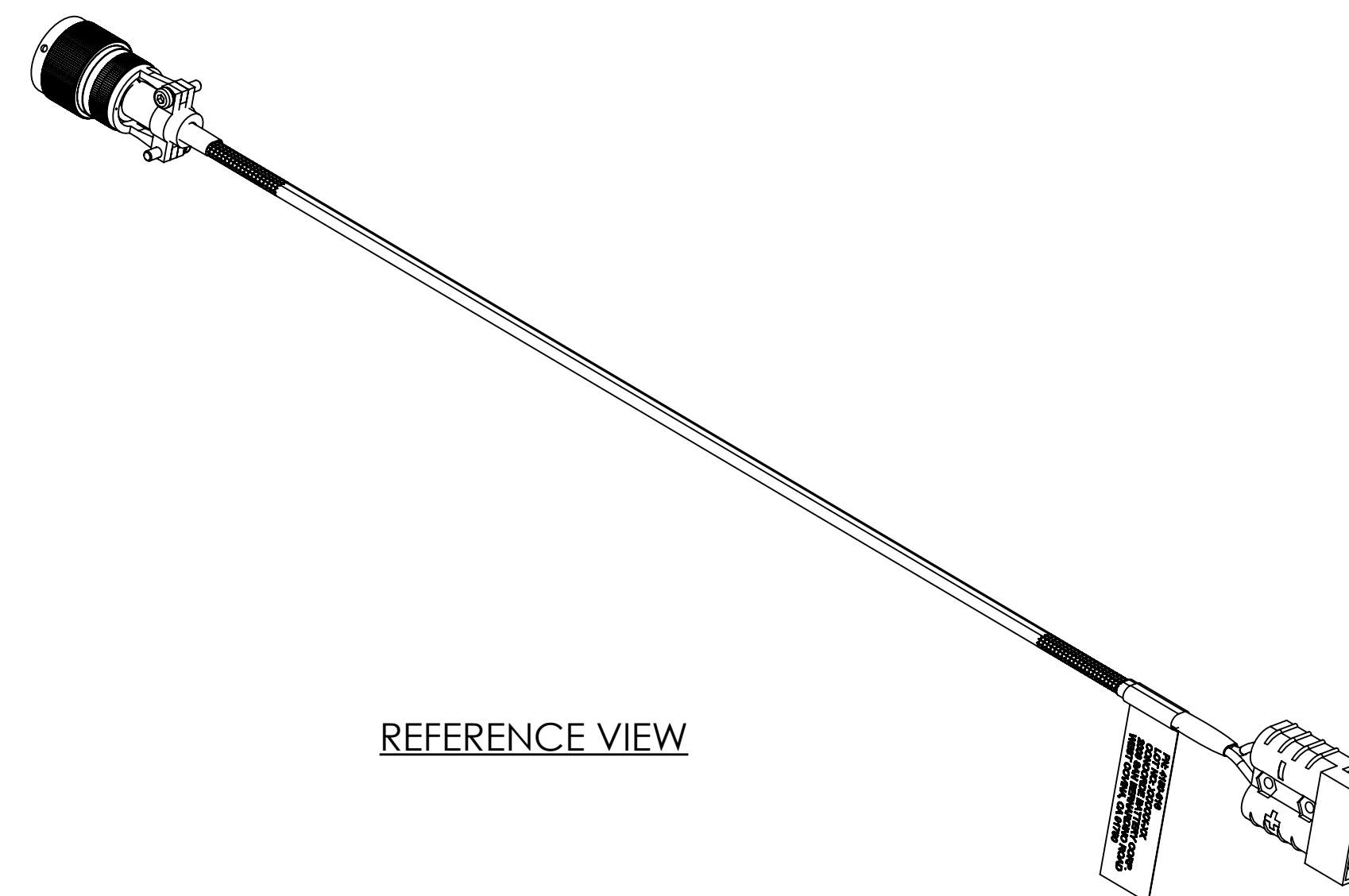


NOTES: UNLESS OTHERWISE SPECIFIED

- REFER TO DRAWING 900616 FOR ASSEMBLY AND TEST INSTRUCTIONS. PROCEDURE AND ASSEMBLY DRAWINGS ARE FOR INTERNAL USE ONLY.

REVISIONS			
REV	DESCRIPTION	DATE	APPROVED



ENVELOPE DRAWING

UNLESS OTHERWISE SPECIFIED DIMENSIONS ARE IN INCHES TOLERANCES ARE:			CONTRACT NO.		CONCORDE BATTERY CORPORATION 2009 SAN BERNARDINO RD., W. COVINA, CA 91790		
FRACTIONS	DECIMALS	ANGLES	APPROVALS	DATE	TITLE		
±	.XX ± .03 .XXX ± .015	± °	DRAWN J. DENDIU	1/3/22	CHARGE ADAPTER CABLE, RG-616		
TREATMENT	NONE	CHECKED NS	1/4/22	APPROVED PH	SIZE	CAGE CODE	DWG NO.
FINISH	NONE	ISSUED DH	1/5/22	SCALE 1:1	D	63017	4150-616
SIMILAR TO	CALC W/						REV
							SHEET 1 OF 1