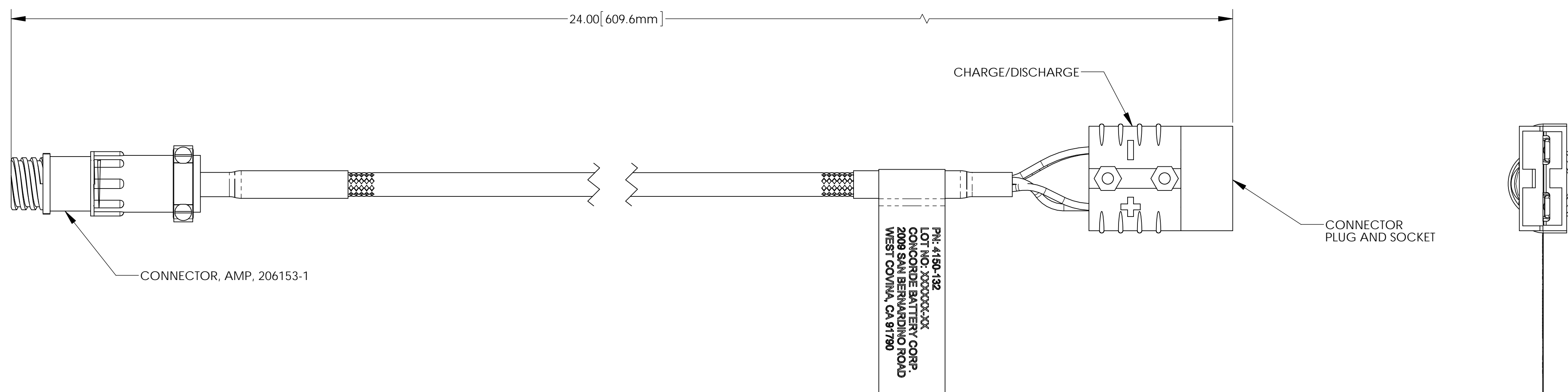
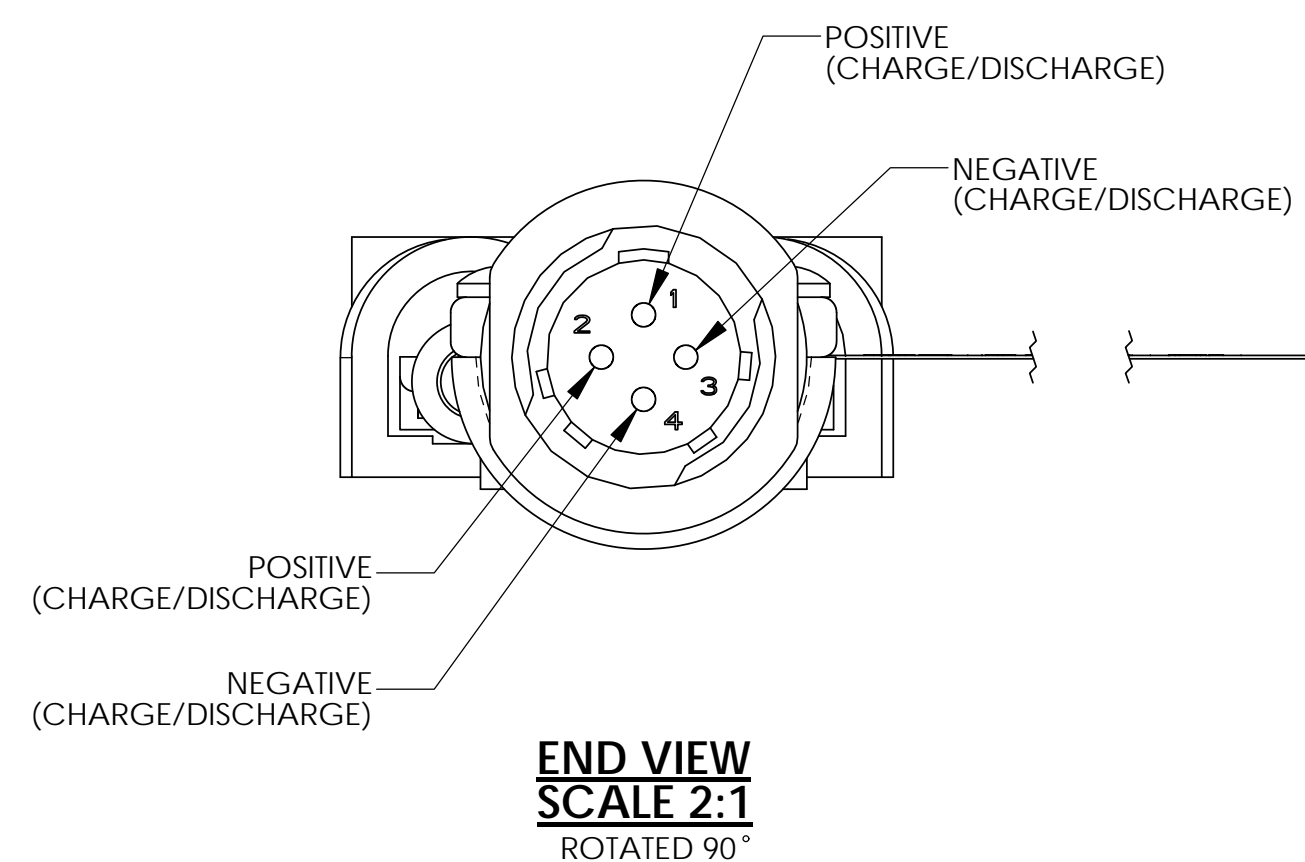
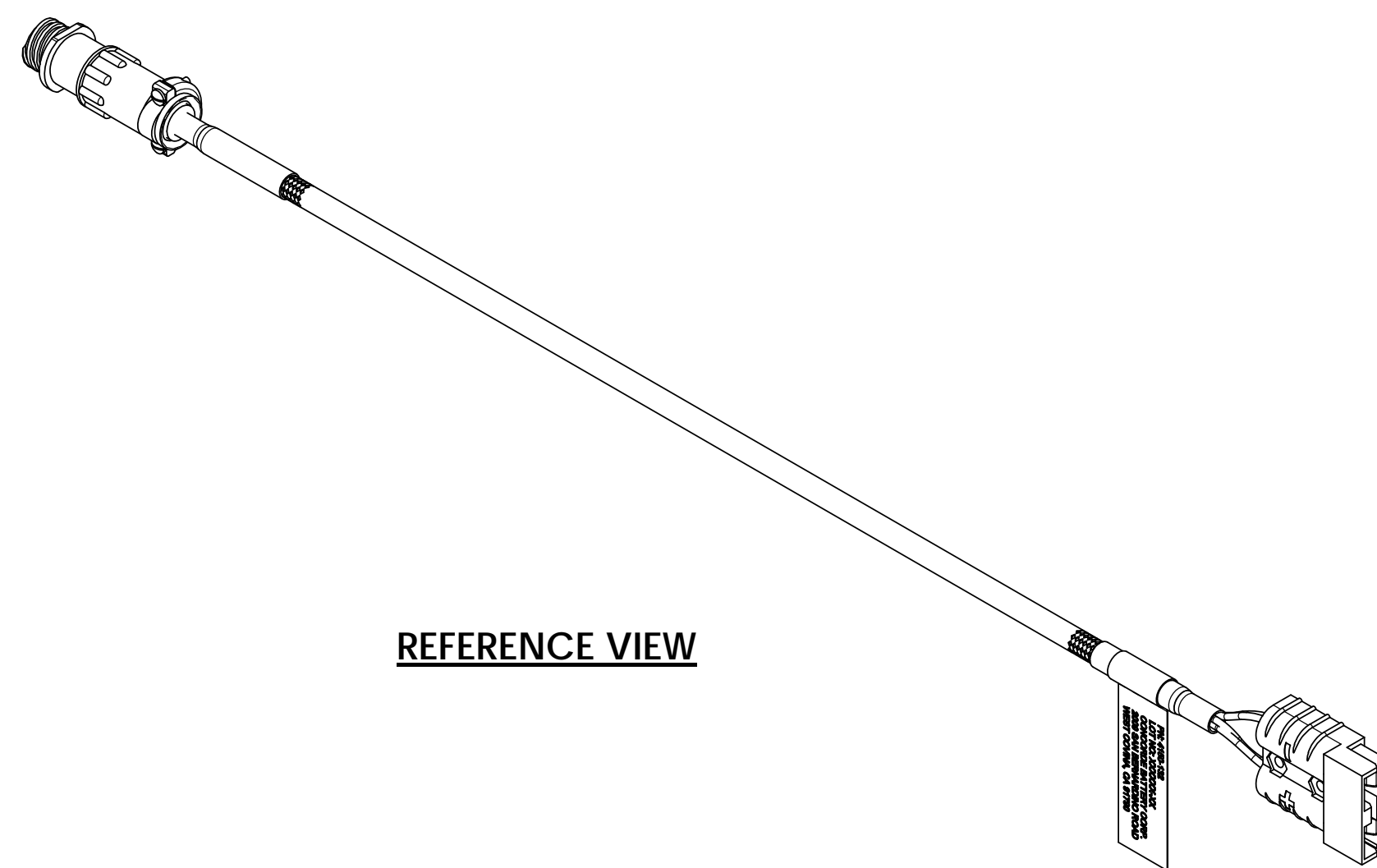


NOTES: UNLESS OTHERWISE SPECIFIED

- REFER TO DRAWING 900132 FOR ASSEMBLY AND TEST INSTRUCTION. PROCEDURE AND ASSEMBLY DRAWINGS ARE FOR INTERNAL USE ONLY.

REVISIONS			
REV	DESCRIPTION	DATE	APPROVED



ENVELOPE DRAWING

UNLESS OTHERWISE SPECIFIED DIMENSIONS ARE IN INCHES TOLERANCES ARE:			CONTRACT NO.		CONCORDE BATTERY CORPORATION 2009 SAN BERNARDINO RD., W. COVINA, CA 91790		
FRACTIONS	DECIMALS	ANGLES	APPROVALS	DATE	TITLE		
±	.XX ± .03 XXX ± .015	±°	DRAWN D. AYALA	11/19/13	CHARGE ADAPTER CABLE, RG-132		
TREATMENT	NONE	CHECKED	NS	3/27/14	SIZE	CAGE CODE	EDWG NO.
FINISH	NONE	APPROVED	JBT	3/31/14	D	63017	4150-132
SIMILAR TO	CALC W/	ISSUED	BJ	3/31/14	SCALE	NONE	SHEET 1 OF 1