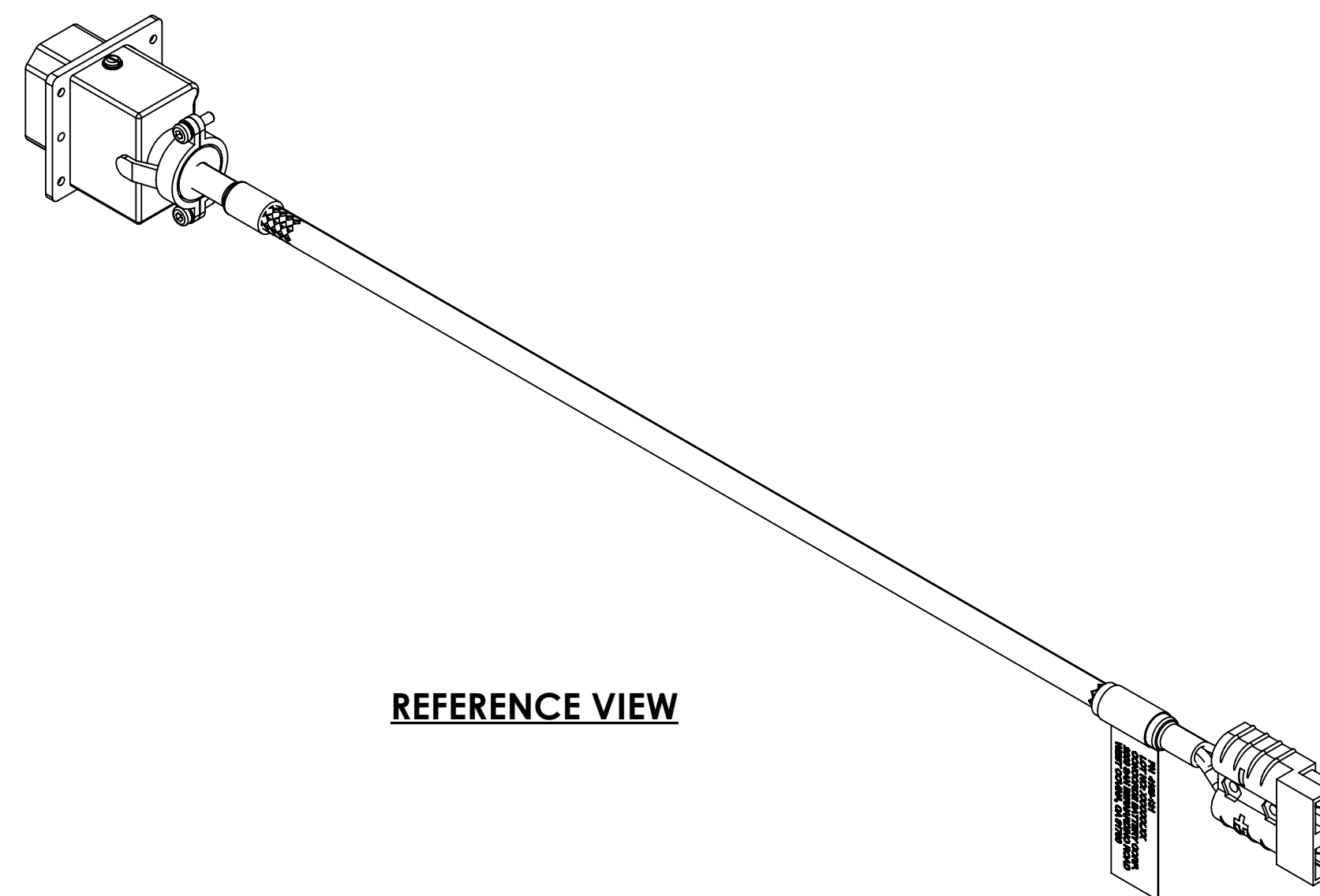


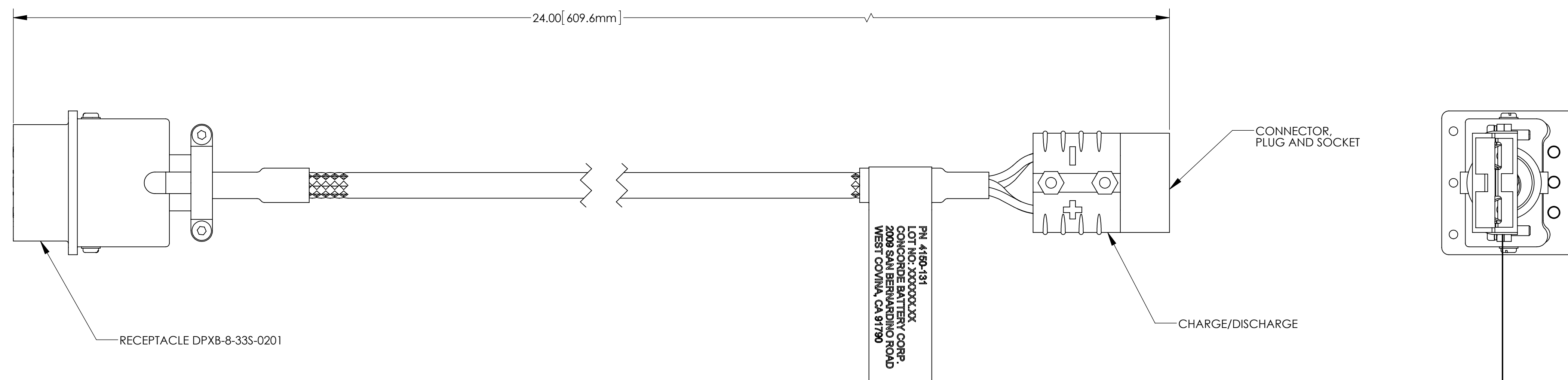
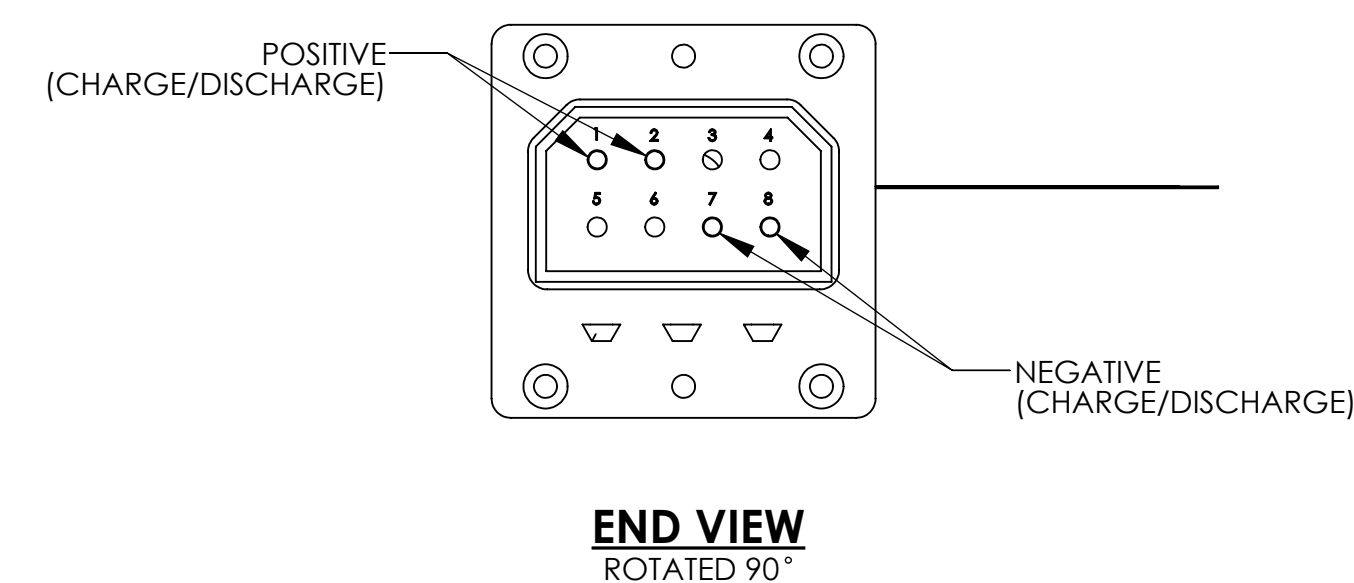
NOTES: UNLESS OTHERWISE SPECIFIED

- REFER TO DRAWING 900131 FOR ASSEMBLY AND TEST INSTRUCTION. PROCEDURE AND ASSEMBLY DRAWINGS ARE FOR INTERNAL USE ONLY.

REVISIONS			
REV	DESCRIPTION	DATE	APPROVED



**REFERENCE VIEW**



**ENVELOPE DRAWING**

UNLESS OTHERWISE SPECIFIED DIMENSIONS ARE IN INCHES TOLERANCES ARE:			CONTRACT NO.		CONCORDE BATTERY CORPORATION 2009 SAN BERNARDINO RD., W. COVINA, CA 91790		
FRACTIONS	DECIMALS	ANGLES	APPROVALS	DATE	TITLE		
±	.XX ± .03 .XXX ± .015	±°	DRAWN D. AYALA	9/5/13	CHARGE ADAPTER CABLE, RG-131		
TREATMENT	NONE	CHECKED	NS	8/11/14	SIZE	CAGE CODE	DWG NO.
FINISH	NONE	APPROVED	JBT	8/21/14	D	63017	4150-131
SIMILAR TO	CALC W/	ISSUED	AT	8/22/14	SCALE	1:4	SHEET 1 OF 1