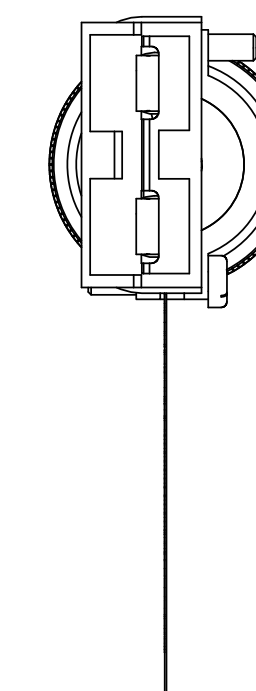
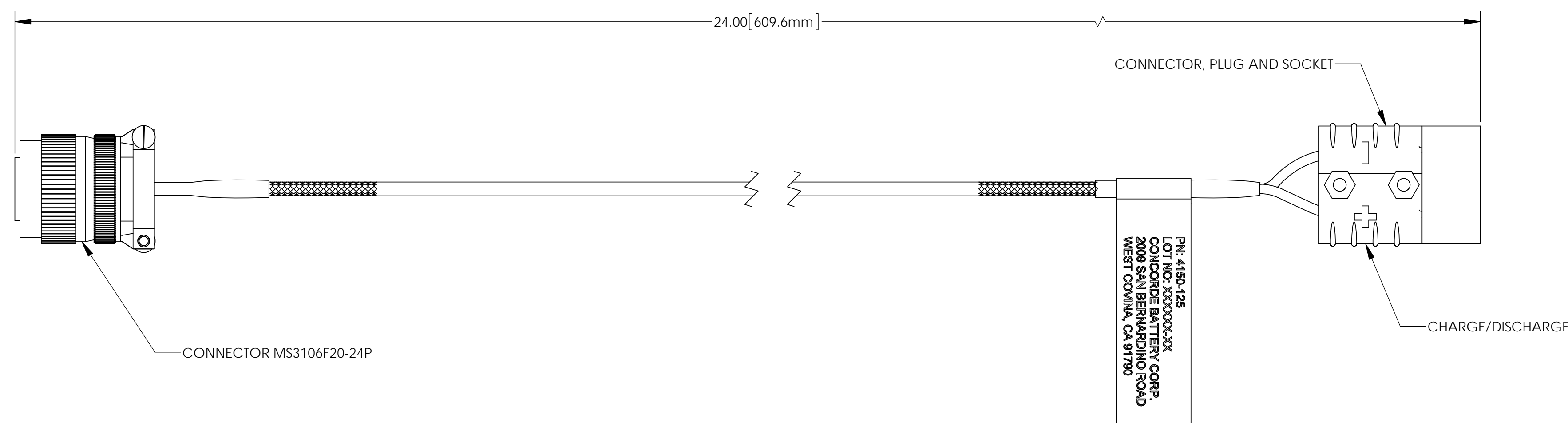
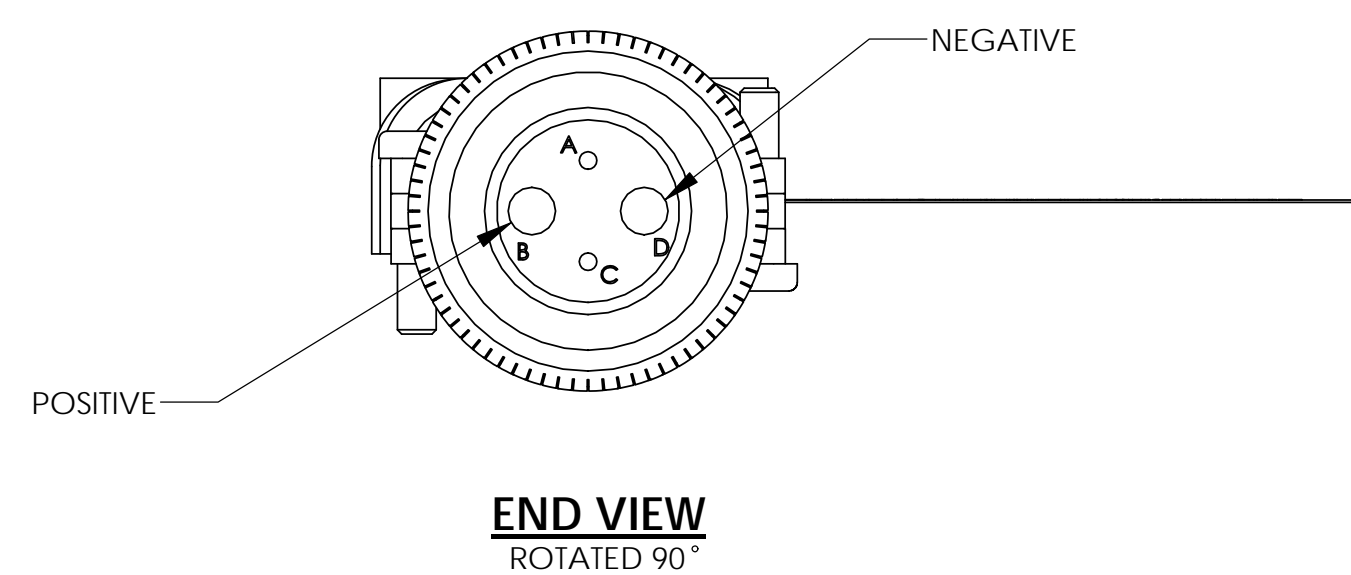
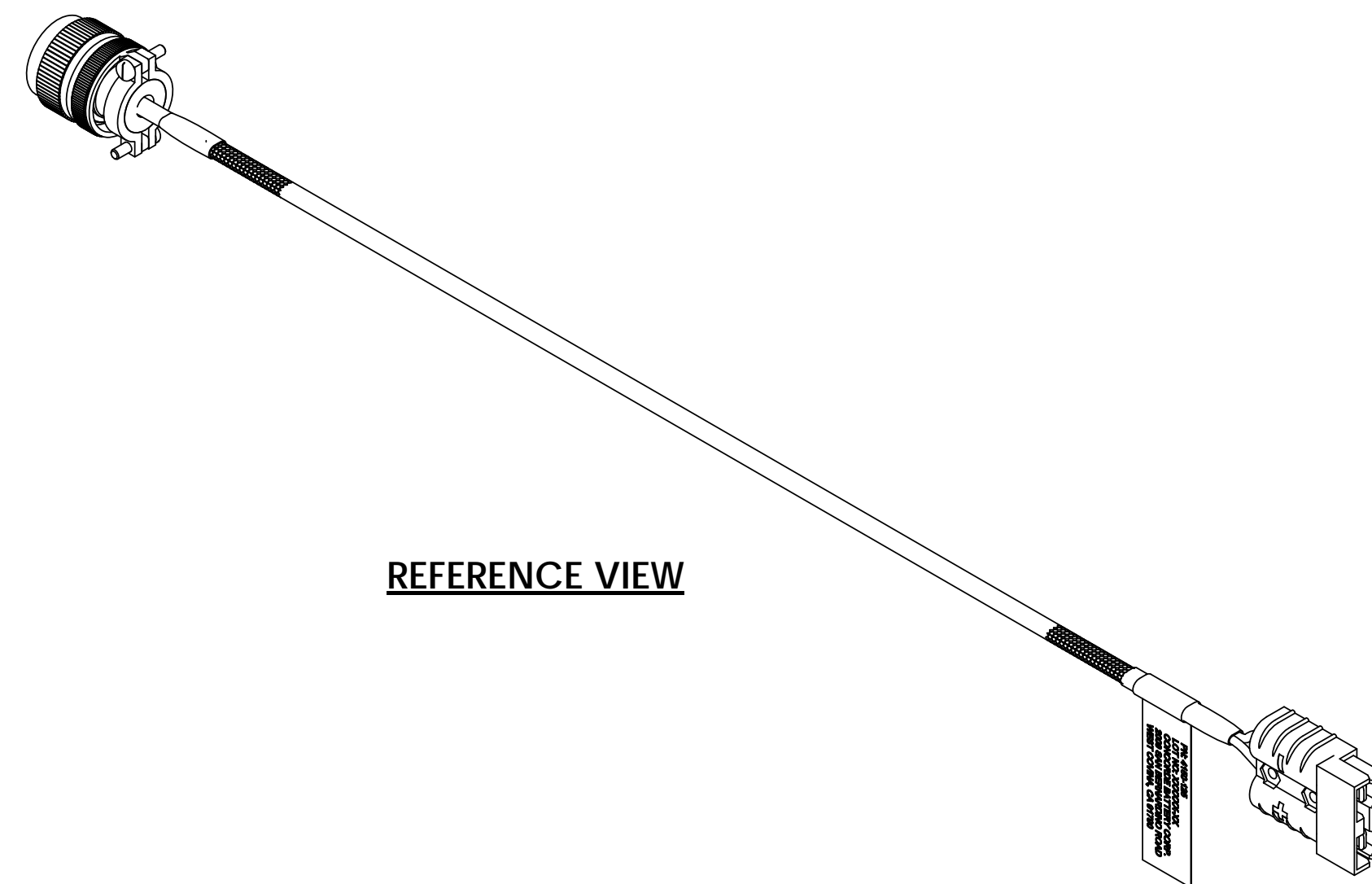


NOTES: UNLESS OTHERWISE SPECIFIED

1. REFER TO DRAWING 900125 FOR ASSEMBLY AND TEST INSTRUCTION  
PROCEDURE AND ASSEMBLY DRAWINGS ARE FOR INTERNAL USE ONLY.

REVISIONS			
REV	DESCRIPTION	DATE	APPROVED



**ENVELOPE DRAWING**

UNLESS OTHERWISE SPECIFIED DIMENSIONS ARE IN INCHES TOLERANCES ARE:			CONTRACT NO.		CONCORDE BATTERY CORPORATION 2009 SAN BERNARDINO RD., W. COVINA, CA 91790		
FRACTIONS	DECIMALS	ANGLES	APPROVALS	DATE	TITLE		
±	.XX ± .03 XXX ± .015	±°	DRAWN D. AYALA	9/3/14	CHARGE ADAPTER CABLE, RG-125		
TREATMENT	NONE	CHECKED	NS	10/23/14	SIZE	CAGE CODE	DWG NO.
FINISH	NONE	APPROVED	JBT	10/30/14	D	63017	4150-125
SIMILAR TO	CALC W/	ISSUED	BJ	10/31/14	SCALE	1:1	SHEET 1 OF 1